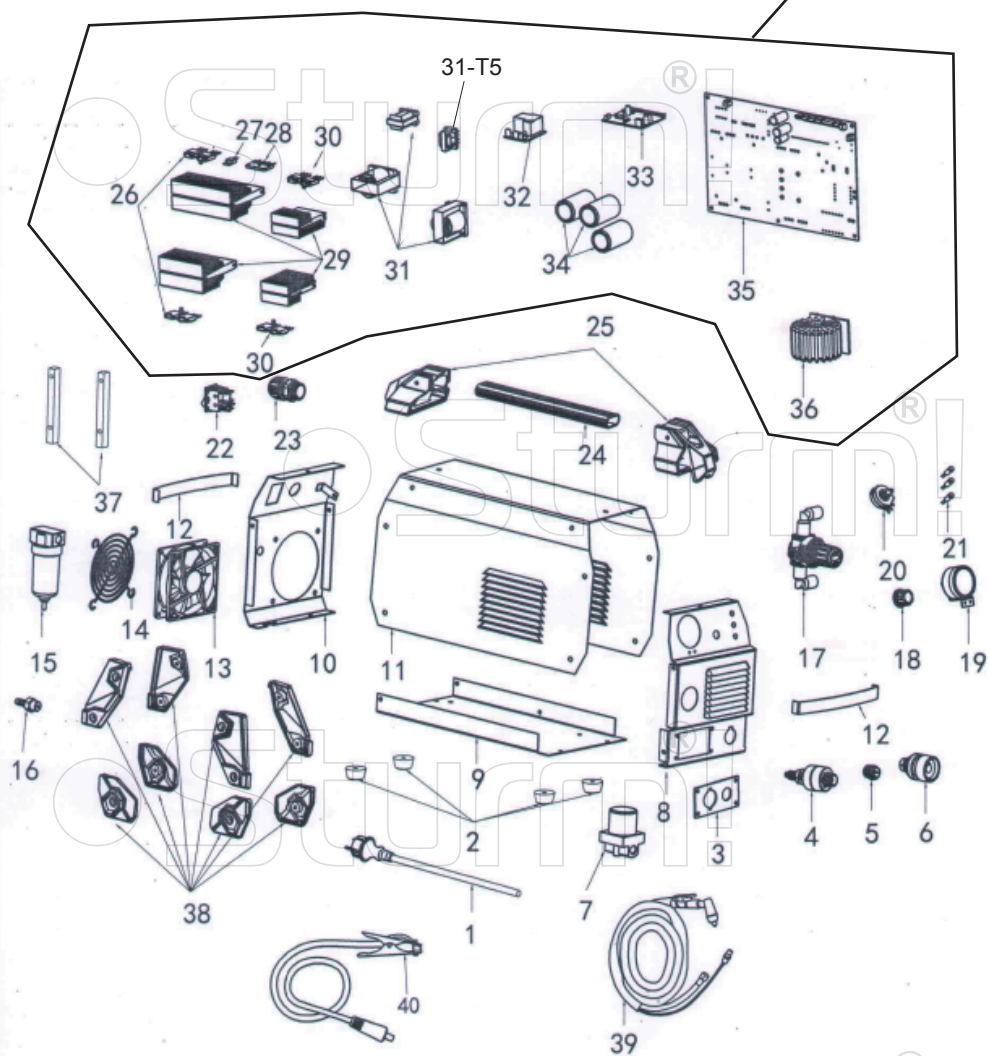


999



## AW97PC45

NO.	DESCRIPTION	NO.	DESCRIPTION
1	Power cable	29	Heat sink (26)
2	Plastic foot pad	30	Fast recovery diode
3	Insulating plate	31	Transformer
4	Gas-electric joint	32	Reply
5	Aviation plug	33	Signal board
6	Fast connector	34	Capacitor
7	Magnetic valve	35	Main circuit board assembled
8	Front of panel	36	Main transformer
9	Button case	37	Plastic support
10	Back of panel	38	Plastic cover
11	Beside of case	39	PT-31 torch
12	Brand of plate	40	Cable with clamp
13	Fan 24V 5000RPM	999	main board assembly
14	Fan cover	31-T5	High frequency transformer SF-3691
15	Oil and water diverter		
16	Admission piece		
17	Pressure regulating valve		
18	Knob		
19	Gas-pressure meter		
20	Potentiometer		
21	LED indicator		
22	Power switch		
23	The power cord buckle		
24	Metal of handle		
25	The handle seat		
26	IGBT		
27	NTC		
28	Rectifier bridge		

# AW97PC45 FRONT-BOARD

QC

PMB-26 2017. 08. 08

