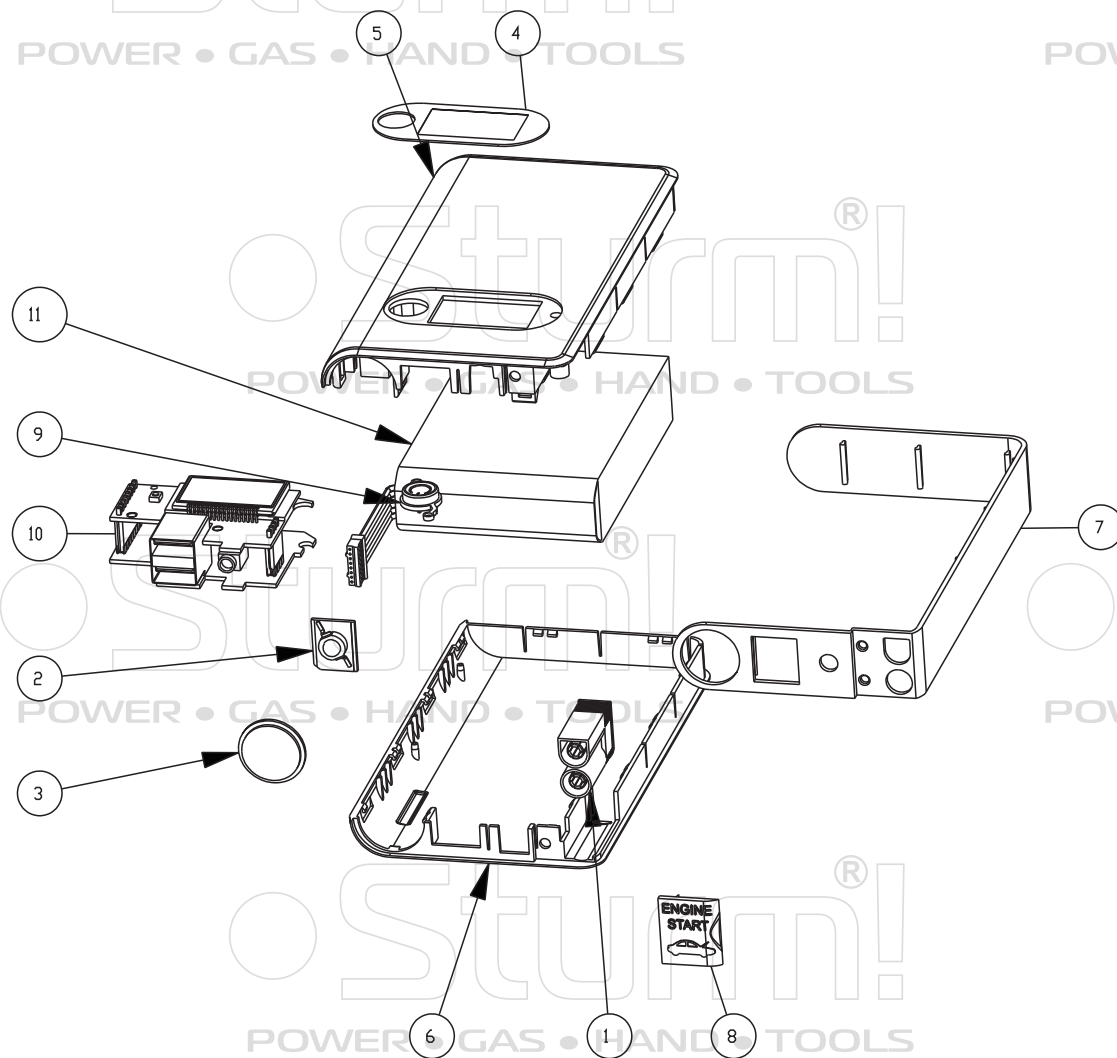


BC1212



NO.	DESCRIPTION
1	JUMP STARTER SOCKET
2	LED
3	LED LENS
4	DISPLAY COVER
5	UP COVER
6	DOWN COVER
7	MIDDLE COVER
8	JUMP STARTER SOCKET COVER
9	BUTTON
10	PCB & USB ASSEMBLY
11	LI BATTERY

UK-ST20180604