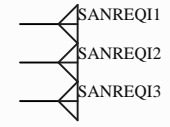
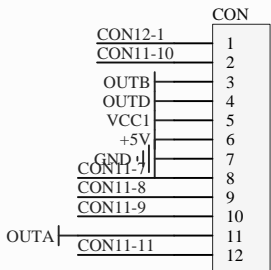
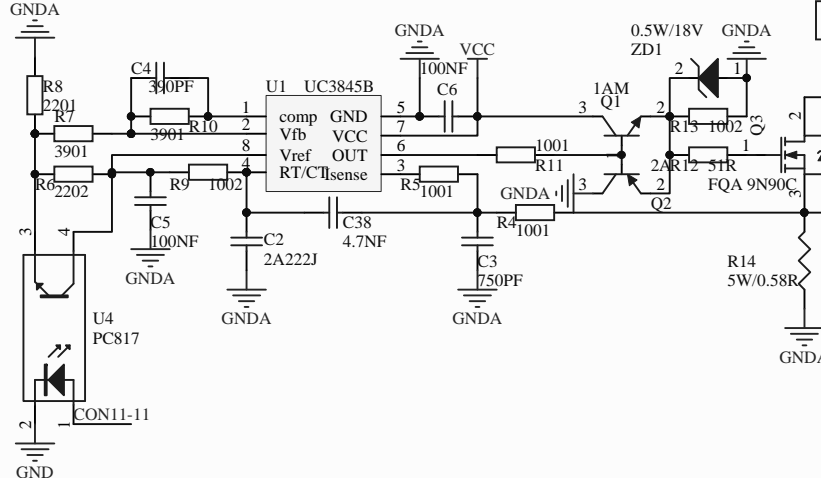
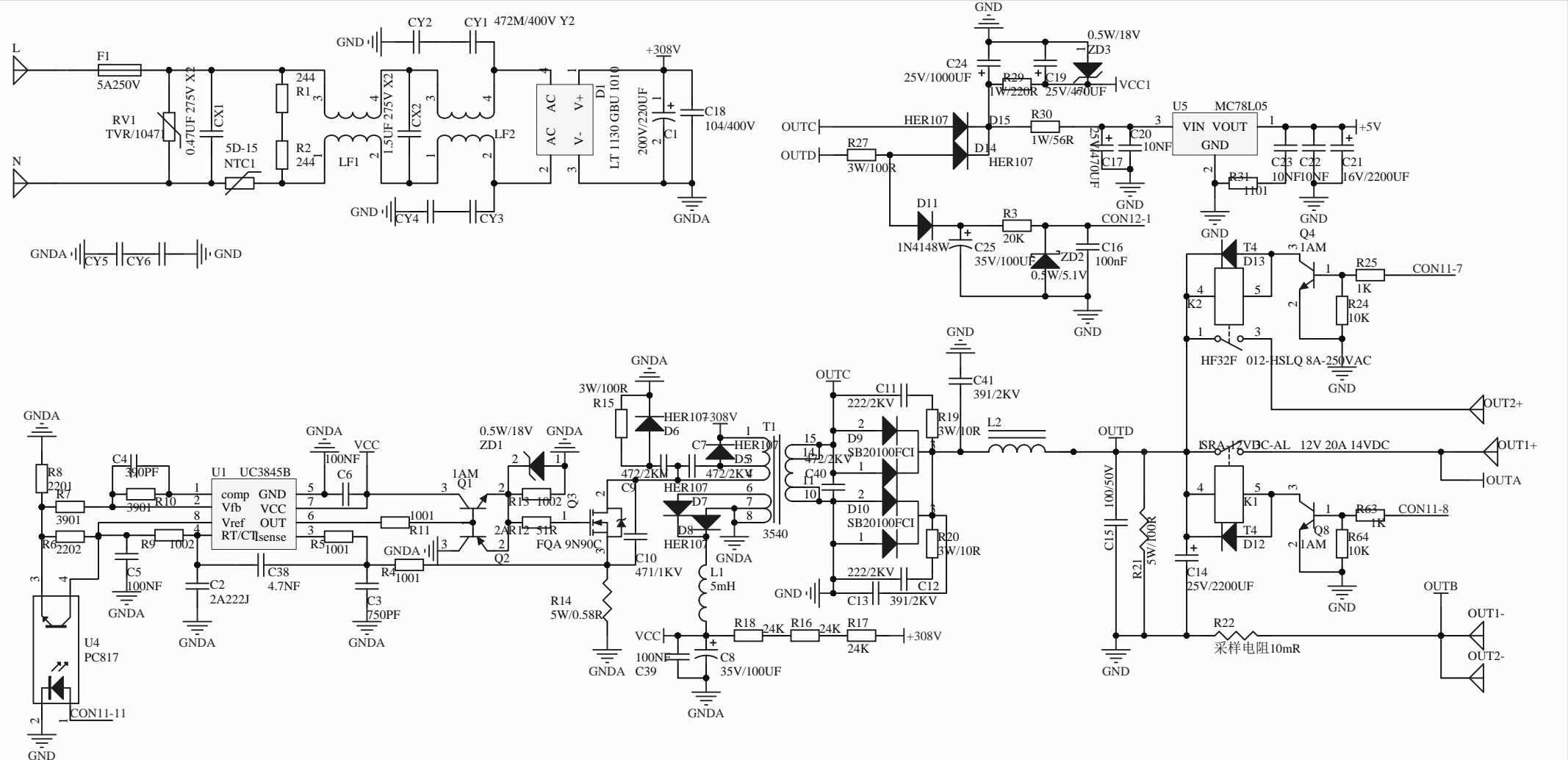


Title			ALFA_CON		
Size	Number	Revision			
A3					
Date:	2016/11/2	Sheet		of	
File:	F:\工作文件\CC-15 CONA3.SchDoc	Drawn By:			



Title		
Size	Number	Revision
A4		
Date:	2016/11/2	Sheet of
File:	C:\Users\...\CC-15MAI A3.SchDoc	Drawn By: