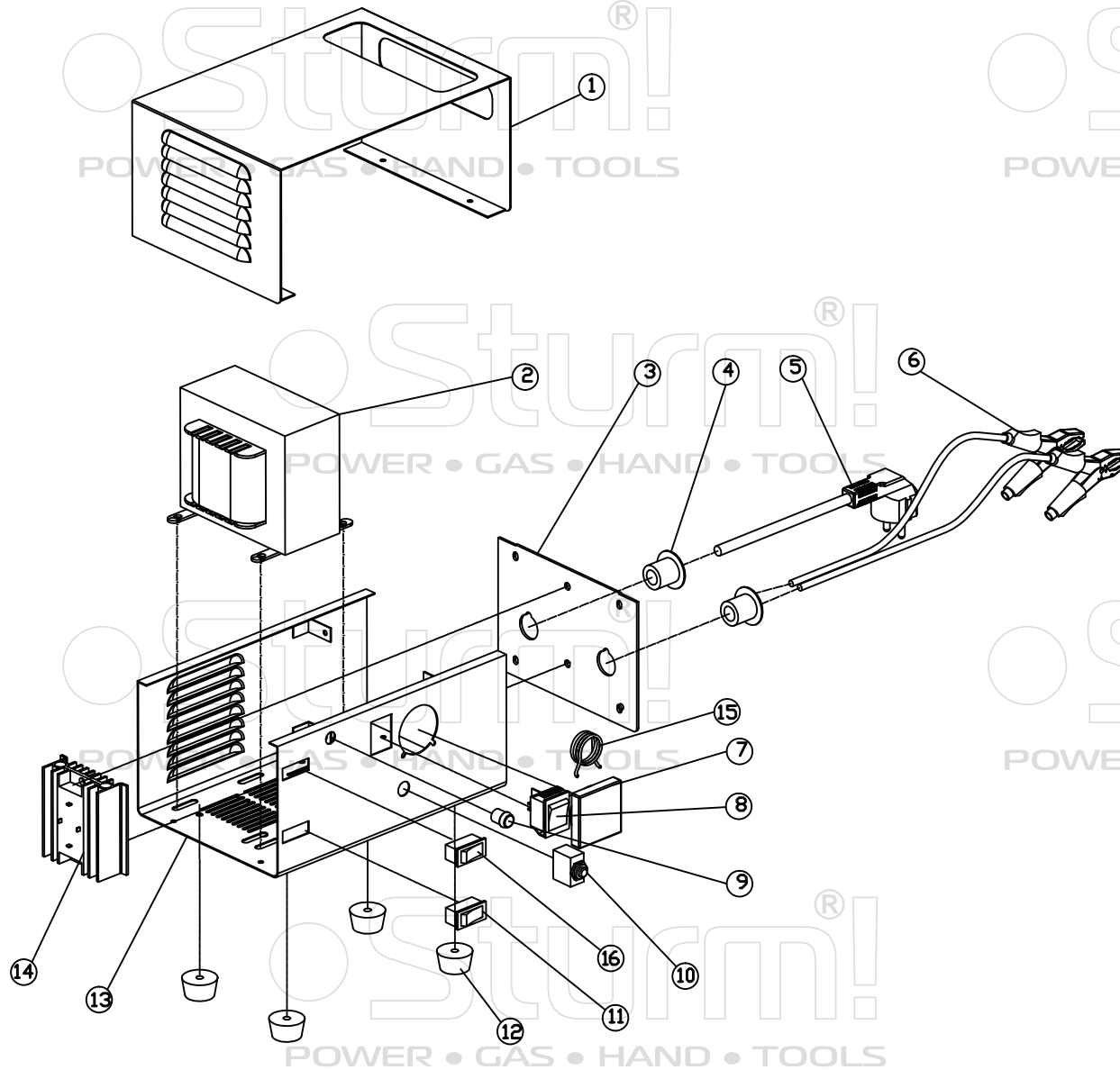


# BC2430



NO.	DESCRIPTION
1	TOP COVER
2	TRANSFORMER ASSEMBLY
3	CLAPBOARD
4	CABLE GUARD
5	CABLE AND PLUG
6	CHARGING CABLE & CLAMP
7	CURRENT METER
8	VOLTAGE SELECT SWITCH
9	POWER SUPPLY LIGHT
10	OVER-CURRENT PROTECTOR
11	CHARGING OR START SWITCH
12	RUBBER FEET
13	BASE
14	RECTIFIER
15	BYPASS RESISTANCE
16	CURRENT SELECT SWITCH

ST20130718