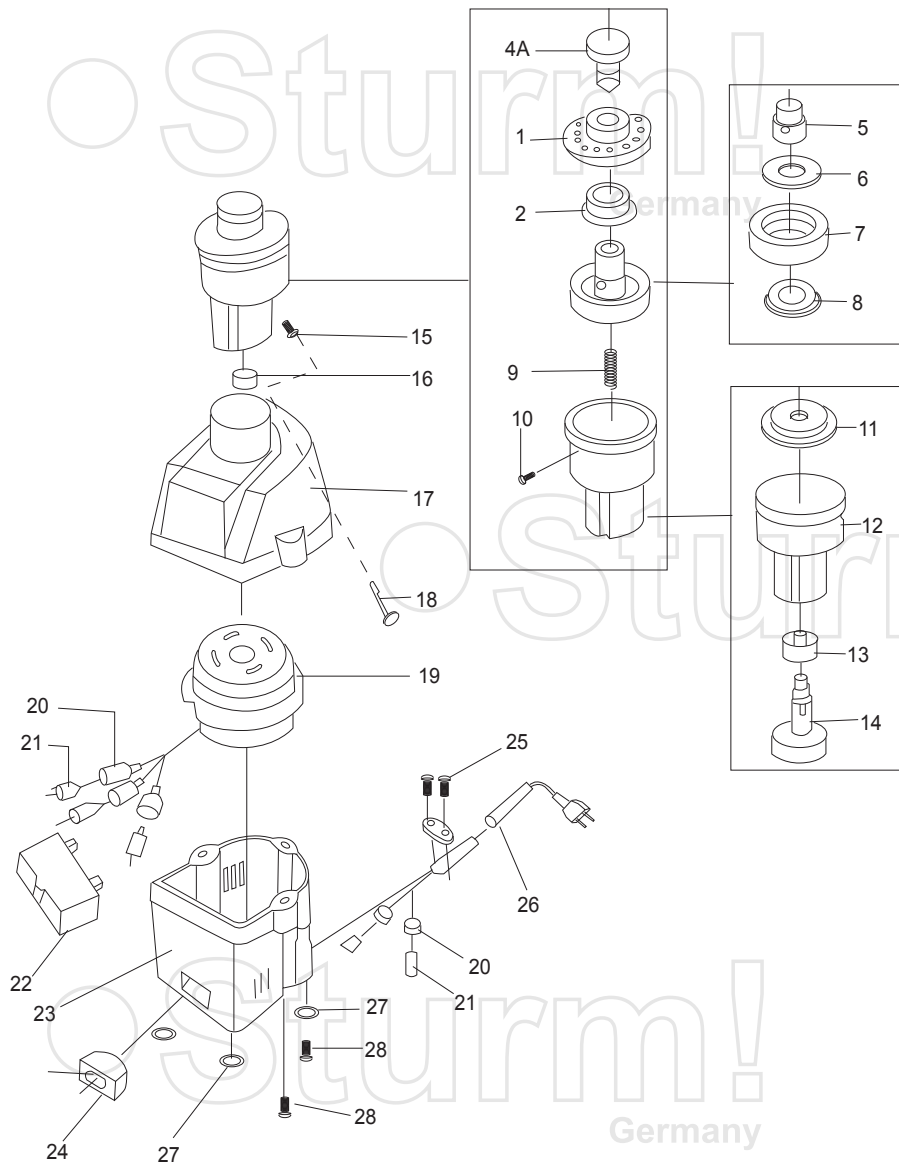


# BG6007S



NO.	DESCRIPTION
4A	ADJUSTMENT KNOB
1	INDEX
2	CAP RING
5	ADJUSTMENT
6	WASHER
7	GRINDING WHEEL
8	WHEEL BASE
9	SPRING
10	SCREW
11	COVER
12	HOUSING
13	BALL BEARING
14	DRIVE SPINDLE
15	NUT
16	CONNECTOR-MALE
17	UPPER MOTOR HOUSING
18	BOLT
19	MOTOR
20	COVER
21	TERMINAL
22	CAPACITOR
23	LOWER MOTOR HOUSING
24	SWITCH
25	SCREW
26	CABLE
27	RUBBER PAD
28	SCREW

RU60706-1