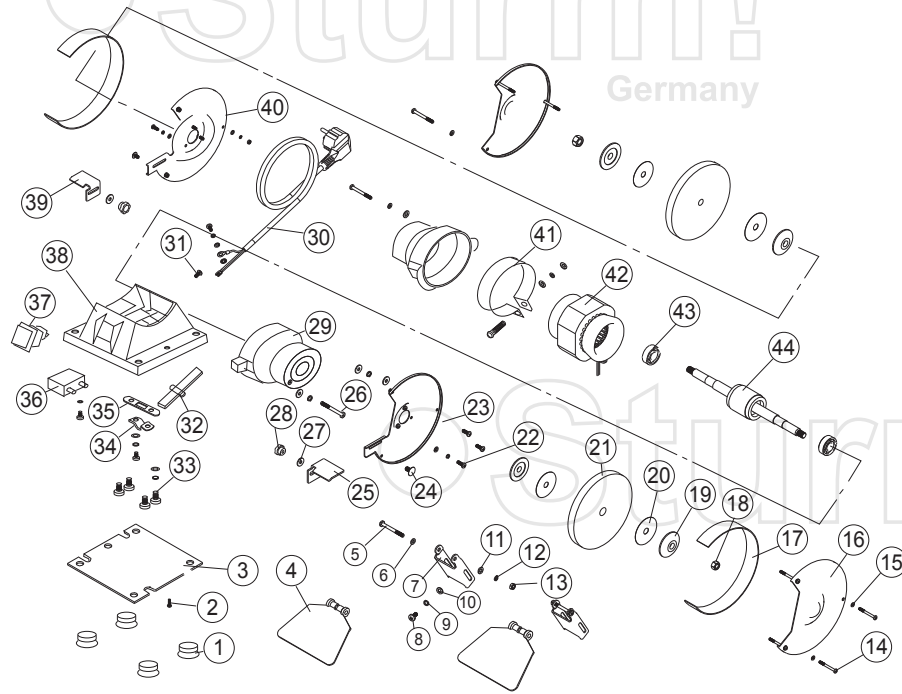


# BG60125



NO.	DESCRIPTION	NO.	DESCRIPTION
1	RUBBER FEET	23	INNER GUARD
2	SCREW	24	SQUARE NECK SCREW
3	BASE PLATE	25	TOOL REST
4	EYESHIELD	26	BOLT
5	BOLT	27	TOOTH WASHER
6	WASHER	28	KNOB
7	EYESHIELD BRACKET	29	MOTOR COVER
8	SCREW	30	PLUG & CORD
9	SPRING WASHER	31	TOOTH WASHER
10	WASHER	32	CORD SLEEVE
11	WASHER	33	SCREW
12	SPRING WASHER	34	CORD CLAMP
13	NUT	35	CLAMP BRACKET
14	BOLT	36	CAPACITOR
15	WASHER	37	SWITCH
16	OUTER GUARD	38	BASE
17	RING GUARD	39	TOOL REST(LEFT)
18	NUT	40	INNER GUARD(LEFT)
19	FLANGE	41	RING BODY
20	NAMEPLATE OF WHEEL	42	STATOR
21	WHEEL	43	BEARING
22	SCREW	44	ROTOR

RU5101901