

BP8720[®]

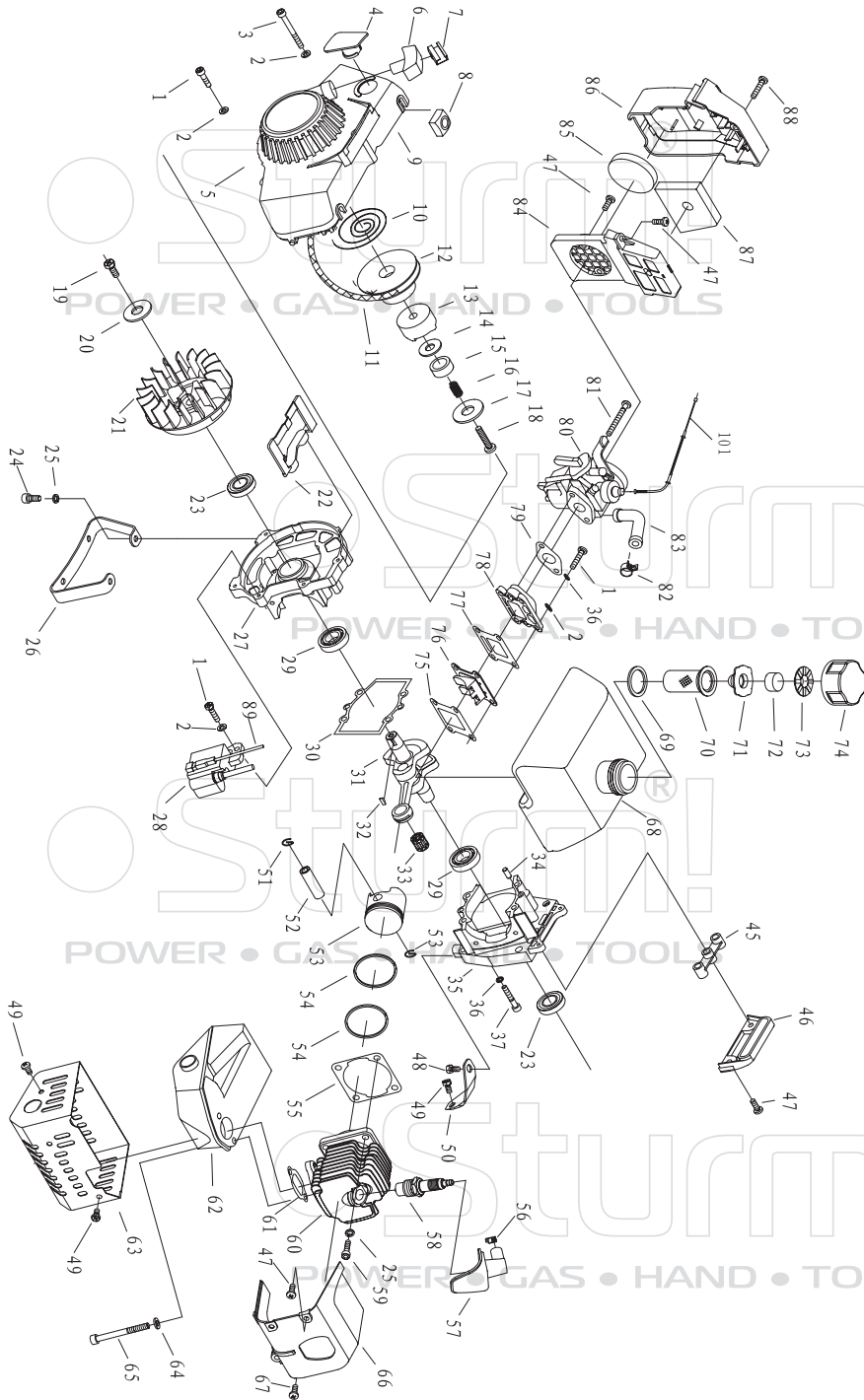
NO.	DESCRIPTION	NO.	DESCRIPTION
1	HOSE JOINT	19	SEAL PACKING
2	HOSE COUPLING	20	SCREW M6X40
3	PACKING(PLUG)	21	CASING COVER
4	VALVE CASE	22	HANDLE
5	CHECK VALVE	23	THROTTLE LEVER
6	BOLT W/S.W M6X20	24	WASHER
7	BOLT W/S.W M8X20	25	WASHER SPRING
8	O-SEALING RING	26	NUT M5
9	PLUG	27	NUT M8
10	PUMP CASE	28	RUBBER PILLAR
11	PACKING	29	NUT M5
12	BEND	30	BASE
13	BOLT W/S.W M8X30	31	UNTI VIBRATION RUBBER
14	O-SEALING RING	32	WASHER
15	VOLUTE SHELL	33	SCREW ST4.2X13
16	IMPELLER	34	ENGINE
17	O-SEALING RING	35	BOLT W/S.W M6X20
18	MECHANICAL SEAL		

ST20111104-01

Sturmi![®]
POWER • GAS • HAND • TOOLS

Sturmi![®]
POWER • GAS • HAND • TOOLS

BP8720



NO.	DESCRIPTION	NO.	DESCRIPTION	NO.	DESCRIPTION
1	SCREW M5X20	31	CRANK SHAFT COMP.	68	FUEL TANK
2	WASHER 5	32	KEY	69	SEALING WASHER
3	SCREW M5X50	33	NEEDLE BEARING	70	FILTER NET
4	CORD GROMMET	34	PIN B5X12	71	INNER LID
5	STARTER	35	FRONT HALF CRANKCASE	72	CLEANER ELEMENT
6	STARTER HANDLE	36	WASHER 5	73	INNER LID
7	PIPE	37	SCREW M5X30	74	FUEL TANK CAP
8	NUT M5	45	RUBBER WASHER	75	INNER WASHER
9	STARTER COVER ASS'Y	46	SUPPORT	76	AIR INLET VALVE
10	RECOIL SPRING	47	SCREW M5X14	77	OUTER WASHER
11	ROPE	48	BOLT M6X12	78	INLET MANIFOLD
12	STARTER ROPE REEL	49	BOLT M5X10	79	SEALING WASHER
13	STARTER REEL	50	SUPPORT	80	CARBURETOR ASS'Y
14	WASHER	51	PISTON RING CIRCLIP	81	SCREW M5X58
15	ROPE GUIDE	52	PISTON PIN	82	CLICK RING
16	PRESS SPRING	53	PISTON	83	FUEL PIPE
17	WASHER	54	PISTON RING	84	CLEANER SHROUD
18	SCREW M5X12	55	CYLINDER WASHER	85	CLEANER ELEMENT(-)
19	SCREW M6X16-10.9	56	CLICK SPRING	86	CLEANER SHROUD
20	WASHER	57	PLUG CAP	87	CLEANER ELEMENT(+)
21	ROTOR	58	PLUG	88	SCREW M5X25
22	RUBBER WASHER	59	SCREW M6X20	89	STOP WIRE
23	OIL SEAL	60	CYLINDER	101	THROTTLE LEVER ROPE
24	SCREW M6X14	61	SEALING WASHER		
25	WASHER 6	62	MUFFLER COMP.		
26	SUPPORT	63	MUFFLER COVER		
27	REAR HALF CRANKCASE	64	WASHER 6		
28	STATOR	65	SCREW M6X60-12.9		
29	BALL BEARING 6202/P4	66	CYLINDER SHROUD		
30	TANK CAP GASKET	67	SCREW M5X20		

ST20111104-01