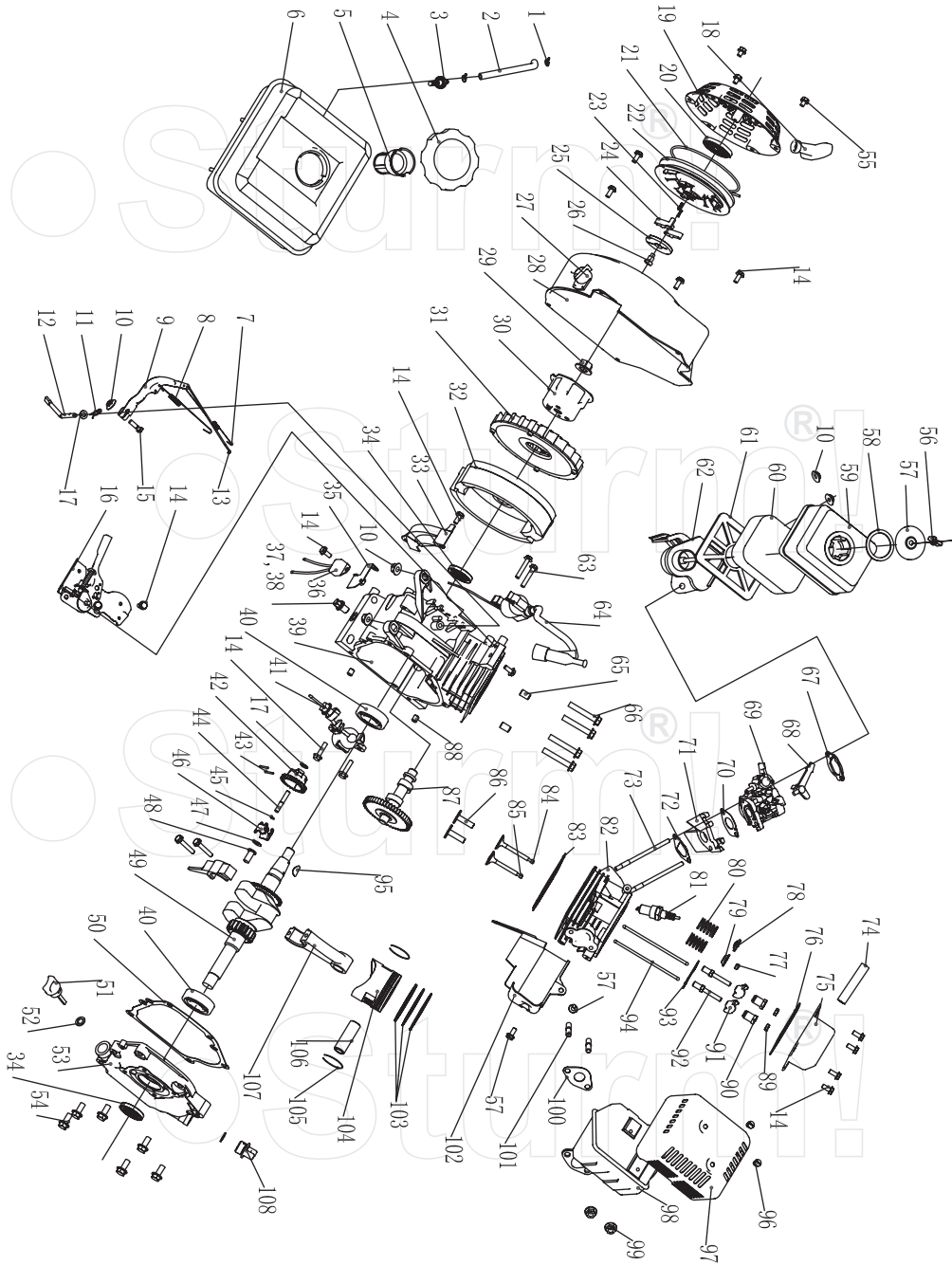


## ENGINE FOR BP8745

No.	DESCRIPTION	No.	DESCRIPTION	No.	DESCRIPTION
1	CLIP	38	DRAIN BOLT WASHER	75	HEAD OVER COMP
2	TUBE	39	CRANKCASE	76	HEAD OVER PACKING
3	FUEL TANK JOINT	40	RADIAL BALL BEARING 6222	77	VALVE ROTATOR
4	FUEL FILLER CAP COMP	41	OIL LEVEL SWITCH ASSY	78	INTAKE VALVE SPRING RETAINER
5	OIL FILTER	42	GOVERNOR WEIGHT HOLDER	79	EXHAUST VALVE SPRING RETAINER
6	FUEL TANK COMP	43	GOVERNOR WEIGHT PIN	80	VALVE SPRING
7	THROTTLE RETURN SPRING	44	GOVERNOR SHAFT	81	SPARK PLUG
8	GOVERNOR SPRING	45	GOVERNOR HOLDER CLIP	82	CYLINDER HEAD COMP
9	GOVERNOR ARM	46	GOVERNOR WEIGHT	83	CYLINDER HEAD GASKET
10	NUT M6	47	GOVERNOR SHAFT WASHER	84	INTAKE VALVE
11	LOCK PIN	48	GOVERNOR COVER	85	EXHAUST VALVE
12	GOVERNOR ARM SHAFT	49	CRANKSHAFT COMP	86	VALVE LIFTER
13	GOVERNOR ROD	50	CASE OVER PACKING	87	CAMSHAFT ASSEMBLY
14	FLANGE BOLT M6*12	51	OIL FILLER CAP ASSEMBLY	88	DOWEL PIN 8*14
15	GOVERNOR ARM BOLT	52	OIL FILLER CAP PACKING	89	PIVOT ADJUSTING NUT
16	CONTROL ASSEMBLY	53	CRANKCASE COVER	90	ROCKER ARM PIVOT
17	GOVERNOR WASHER	54	FLANGE BOLT 8*32	91	VALVE ROCKER ARM
18	RECOIL STARTER KNOB	55	FLANGE BOLT 6*8	92	PIVOT BOLT
19	RECOIL STARTER COMP	56	AIR CLEANER COVER NUT	93	PUSH ROD GUIDE PLATE
20	RECOIL STARTER SPRING	57	AIR CLEANER CAP	94	PUSH ROD
21	RECOIL STARTER ROPE	58	AIR CLEANER CAP PACKING	95	KEY
22	RECOIL STARTER REEL	59	AIR CLEANER COVER	96	SCREWM5X8
23	RETURN SPRING	60	AIR CLEANER ELEMENT	97	MUFFLER PROTECTOR
24	STARTER RATCHET	61	AIR CLEANER GRID	98	MUFFLER COMP
25	RATCHET GUIDE	62	AIR CLEANER ELBOW COMP	99	NUT M8
26	SETTING SCREW	63	FLANGE BOLT 6*25	100	MUFFLER PACKING
27	SWITCH	64	IGNITOR	101	STUD BOLT
28	FAN COVER COMP	65	DOWEL PIN 10*16	102	SHROUD COMP
29	NUT M14	66	FLANGE BOLT 8*55	103	FIRST RING SET
30	START HUB	67	CARBURETOR WASHER	104	SECOND RING SET
31	COOLING FAN	68	CHOKE LEVEL COMP	105	RING COMP
32	FLY WHEEL	69	CARBURETOR ASSEMBLY	106	PISTON
33	SIDE PLACE	70	CARBURETOR PACKING	107	PISTON PIN CLIP
34	OIL SEAL	71	CARBURETOR INSULATOR	108	PISTON PIN
35	DIODE BASE COMP	72	INSULATOR PACKING	109	CONNECTING ROD COMP
36	DIODE COMP	73	STUD BOLT 6*113	108	OIL FILLER CAP
37	DRAIN PLUG BOLT	74	BREATHER TUBE	109	OIL SEAL



## ENGINE FOR PG8718 PG8722 BP8760

No.	DESCRIPTION	No.	DESCRIPTION	No.	DESCRIPTION
1	CLIP	38	DRAIN BOLT WASHER	75	HEAD OVER COMP
2	TUBE	39	CRANKCASE	76	HEAD OVER PACKING
3	FUEL TANK JOINT	40	RADIAL BALL BEARING 6205	77	VALVE ROTATOR
4	FUEL FILLER CAP COMP	41	OIL LEVEL SWITCH ASSY	78	INTAKE VALVE SPRING RETAINER
5	OIL FILTER	42	GOVERNOR WEIGHT HOLDER	79	EXHAUST VALVE SPRING RETAINER
6	FUEL TANK COMP	43	GOVERNOR WEIGHT PIN	80	VALVE SPRING
7	THROTTLE RETURN SPRING	44	GOVERNOR SHAFT	81	SPARK PLUG
8	GOVERNOR SPRING	45	GOVERNOR HOLDER CLIP	82	CYLINDER HEAD COMP
9	GOVERNOR ARM	46	GOVERNOR WEIGHT	83	CYLINDER HEAD GASKET
10	NUT M6	47	GOVERNOR SHAFT WASHER	84	INTAKE VALVE
11	LOCK PIN	48	GOVERNOR COVER	85	EXHAUST VALVE
12	GOVERNOR ARM SHAFT	49	CRANKSHAFT COMP	86	VALVE LIFTER
13	GOVERNOR ROD	50	CASE OVER PACKING	87	CAMSHAFT ASSEMBLY
14	FLANGE BOLT M6*12	51	OIL FILLER CAP ASSEMBLY	88	DOWEL PIN 8*14
15	GOVERNOR ARM BOLT	52	OIL FILLER CAP PACKING	89	PIVOT ADJUSTING NUT
16	CONTROL ASSEMBLY	53	CRANKCASE COVER	90	ROCKER ARM PIVOT
17	GOVERNOR WASHER	54	FLANGE BOLT 8*32	91	VALVE ROCKER ARM
18	RECOIL STARTER KNOB	55	FLANGE BOLT 6*8	92	PIVOT BOLT
19	RECOIL STARTER COMP	56	AIR CLEANER COVER NUT	93	PUSH ROD GUIDE PLATE
20	RECOIL STARTER SPRING	57	AIR CLEANER CAP	94	PUSH ROD
21	RECOIL STARTER ROPE	58	AIR CLEANER CAP PACKING	95	KEY
22	RECOIL STARTER REEL	59	AIR CLEANER COVER	96	SCREWS 5 X 8
23	RETURN SPRING	60	AIR CLEANER ELEMENT	97	MUFFLER PROTECTOR
24	STARTER RATCHET	61	AIR CLEANER GRID	98	MUFFLER COMP
25	RATCHET GUIDE	62	AIR CLEANER ELBOW COMP	99	NUT M8
26	SETTING SCREW	63	FLANGE BOLT 6*25	100	MUFFLER PACKING
27	SWITCH	64	IGNITOR	101	STUD BOLT
28	FAN COVER COMP	65	DOWEL PIN 10*16	102	SHROUD COMP
29	NUT M14	66	FLANGE BOLT 8*55	103	FIRST RING SET
30	START HUB	67	CARBURETOR WASHER		SECOND RING SET
31	COOLING FAN	68	CHOKE LEVEL COMP		RING COMP
32	FLY WHEEL	69	CARBURETOR ASSEMBLY	104	PISTON
33	SIDE PLATE	70	CARBURETOR PACKING	105	PISTON PIN CLIP
34	OIL SEAL	71	CARBURETOR INSULATOR	106	PISTON PIN
35	DIODE BASE COMP	72	INSULATOR PACKING	107	CONNECTING ROD COMP
36	DIODE COMP	73	STUD BOLT 6*113	108	OIL FILLER CAP
37	DRAIN PLUG BOLT	74	BREATHER TUBE		