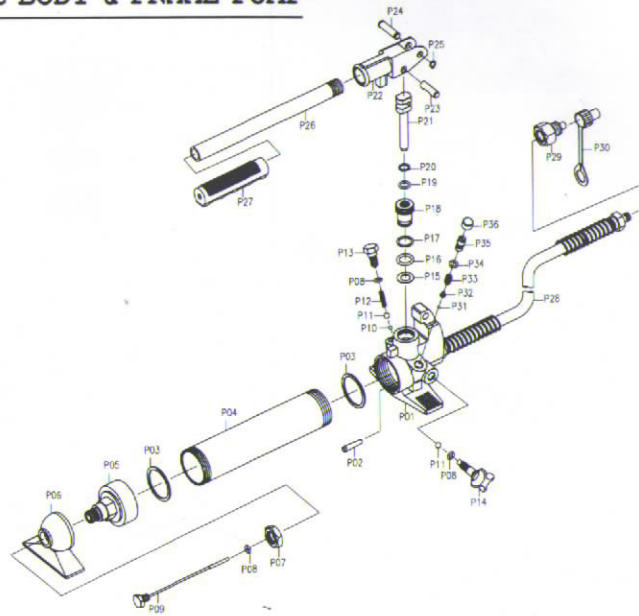


# SPARE PARTS LISTING

## 4 TON HYDRAULIC BODY & FRAME PUMP

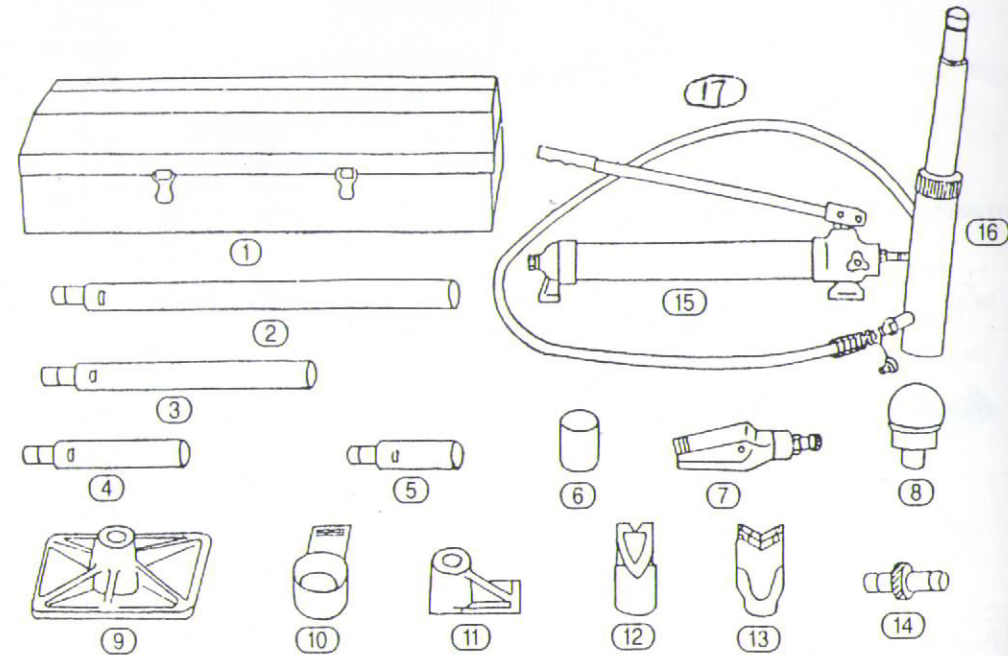


Part No.	Nomenclature
P01	Pump housing
P02	Filler
P03	Seal
P04	Reservoir end cap
P05	Reservoir end cap
P06	Pump foot
P07	Hex nut
P08	O-ring
P09	Dip stick
P10	Ball valve
P11	Ball valve
P12	Spring
P13	Overload screw
P14	Release valve stem
P15	Seal
P16	O-ring
P17	Back up ring
P18	Clamping nut

Part No.	Nomenclature
P19	O-ring
P20	Back up ring
P21	Piston
P22	Handle bracket
P23	Piston pin
P24	Bracket pin
P25	Cir clip
P26	Pump handle
P27	Handle grip
P28	Hose
P29	Coupling
P30	Dust cap
P31	Ball valve
P32	Spring plunger
P33	Spring
P34	O-ring
P35	Screw(Safety valve)
P36	Plastic cap

# KNOW YOUR BODY REPAIR KIT

## 10 TON



KEY No.	PART No.	DESCRIPTION
1	10-1	Metal storage case
2	10-2	685mm Extension bar
3	10-3	456mm Extension bar
4	10-4	250mm Extension bar
5	10-5	127mm Extension bar
6	10-6	Serrated cap
7	10-7	Spreading wedge
8	10-8	Big rubber head
9	10-9	Base plate

KEY No.	PART No.	DESCRIPTION
10	10-10	Ram toe
11	10-11	Plunger toe
12	10-12	Cleft cap
13	10-13	"V" base
14	10-14	Male connector
15	10-15	10Ton pump unit
16	10-16	Ram unit
17	10-17	Hydraulic hose