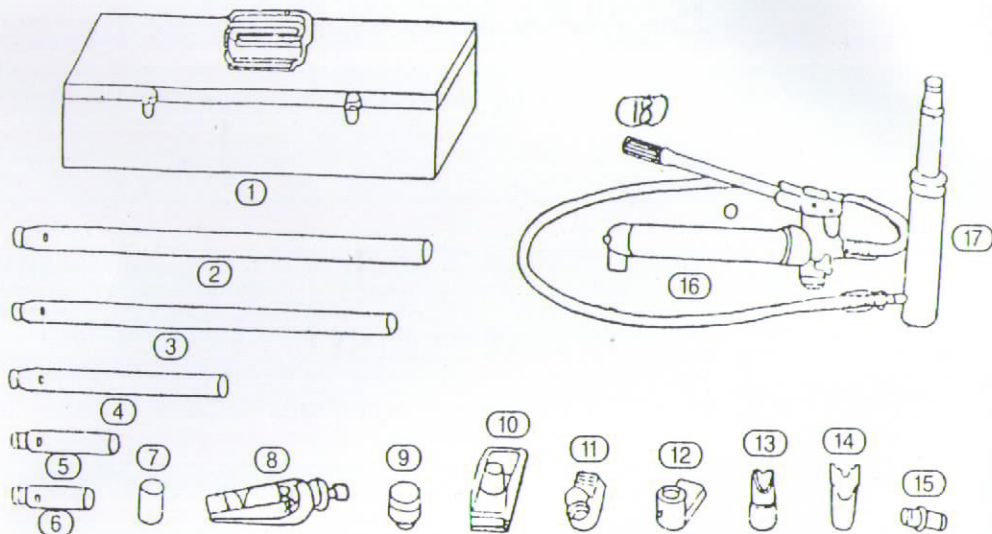


KNOW YOUR BODY REPAIR KIT

4 TON



KEY No.	PART No.	DESCRIPTION
1	4-1	Metal storage cas
2	4-2	495mm Extension bar
3	4-3	418mm Extension bar
4	4-4	215mm Extension bar
5	4-5	125mm Extension bar
6	4-6	82mm Extension bar
7	4-7	Serrated cap
8	4-8	Spreading wedge
9	4-9	Rubber head

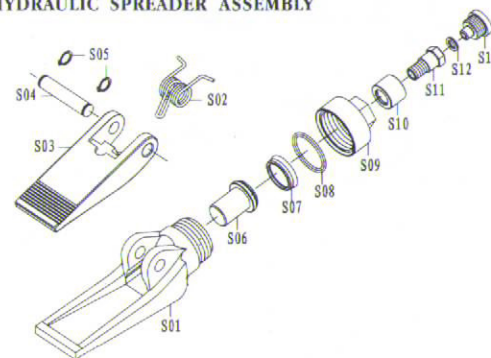
KEY No.	PART No.	DESCRIPTION
10	4-10	Base plate
11	4-11	Ram toe
12	4-12	Plunger toe
13	4-13	Cleft cap
14	4-14	"V" base
15	4-15	Male connector
16	4-16	4Ton pump unit
17	4-17	Ram unit
18	4-18	Hydraulic hose

PARTS LISTING AND DRAWING

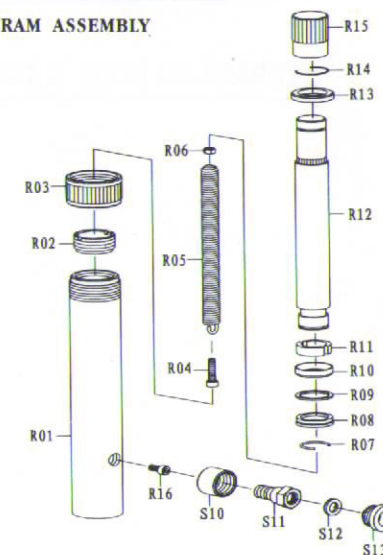
4 TON

HYDRAULIC RAM ASSEMBLY

HYDRAULIC SPREADER ASSEMBLY



Part No.	Nomenclature
S01	Lower duck bill
S02	Spring
S03	Upper duck bill
S04	Pivot pin
S05	Cir clip
S06	Piston
S07	Cup seal
S08	O-ring
S09	End cap
S10	Coupling ring
S11	Coupling bolt
S12	O-ring
S13	Dust cap



Part No.	Nomenclature
R01	Cylinder
R02	Retainer nut
R03	Protecting cap
R04	Screw
R05	Spring
R06	Hex nut
R07	Cir clip
R08	Y-ring
R09	Washer(Nylon)
R10	Bushing
R11	Half round ring
R12	Ram
R13	Spacing ring
R14	Cir clip
R15	Protecting cap
R16	Screw