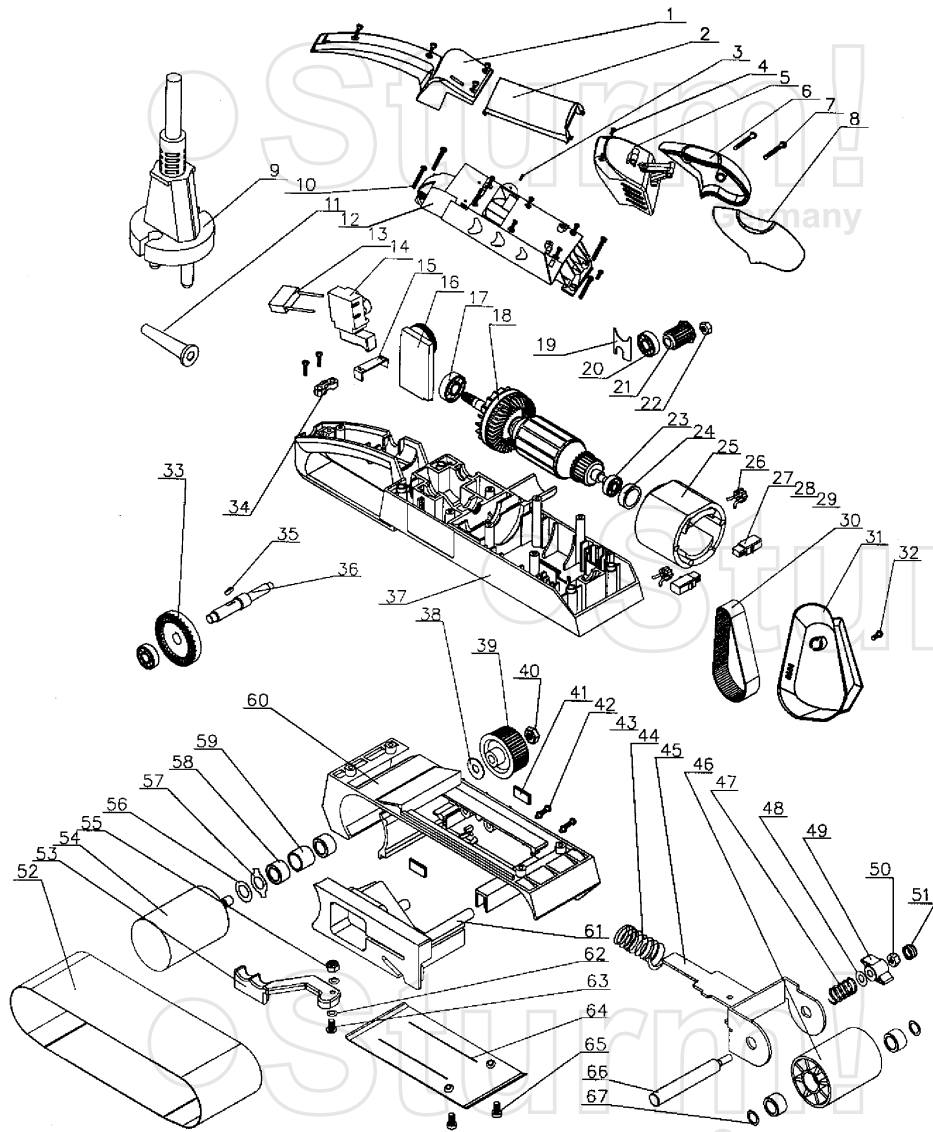


BS8511E



NO.	DESCRIPTION	NO.	DESCRIPTION
1	HANDLE COVER	35	FLAT KEY
2	HOUSING COVER	36	OUTPUT SHAFT
3	TAPPING SCREW	37	LOWER HOUSING
4	TAPPING SCREW	38	WASHER
5	BRUSH CAP	39	BIG BELT-WHEEL
6	RIGHT FRONT HANDLE	40	NUT
7	TAPPING SCREW	41	CERAMIC PLATE
8	LEFT FRONT HANDLE	42	TAPPING SCREW
9	CORD & PLUG	43	PLASTIC SLEEVE
10	SCREW	44	SPRING
11	CORD SLEEVE	45	BRACKET
12	TOP HOUSING	46	FRONT WHEEL
13	CAPACITOR	47	ADJUSTABLE SPRING
14	SWITCH	48	FLAT WASHER
15	SAFETY BAFFLE	49	ADJUSTABLE KNOB
16	PCB	50	HEX NUT
17	BEARING 6000	51	KNOB COVER
18	ROTOR	52	SANDER BELT
19	ADJUSTABLE PLATE FOR BEARING	53	TENSION POLE
20	BEARING 608	54	REAR WHEEL
21	SMALL BELT-WHEEL	55	HEX NUT
22	NUT	56	WASHER
23	BEARING 607	57	POSITION WASHER
24	BEARING BUSH	58	NEEDLE BEARING HK1212
25	STATOR	59	COLUMN SLEEVE
26	INDUCTOR	60	ALUMINIUM HOUSING
27	BRUSH HOLDER	61	SUPPORTING PLATE
28	BRUSH BUSH	62	FLAT WASHER
29	CARBON BRUSH	63	SCREW
30	BELT	64	BASE PLATE
31	BELT COVER	65	SCREW
32	TAPPING SCREW	66	FRONT WHEEL DRIVE AXIS
33	CONE GEAR	67	WASHER
34	CORD CLAMP		

RU60607-1