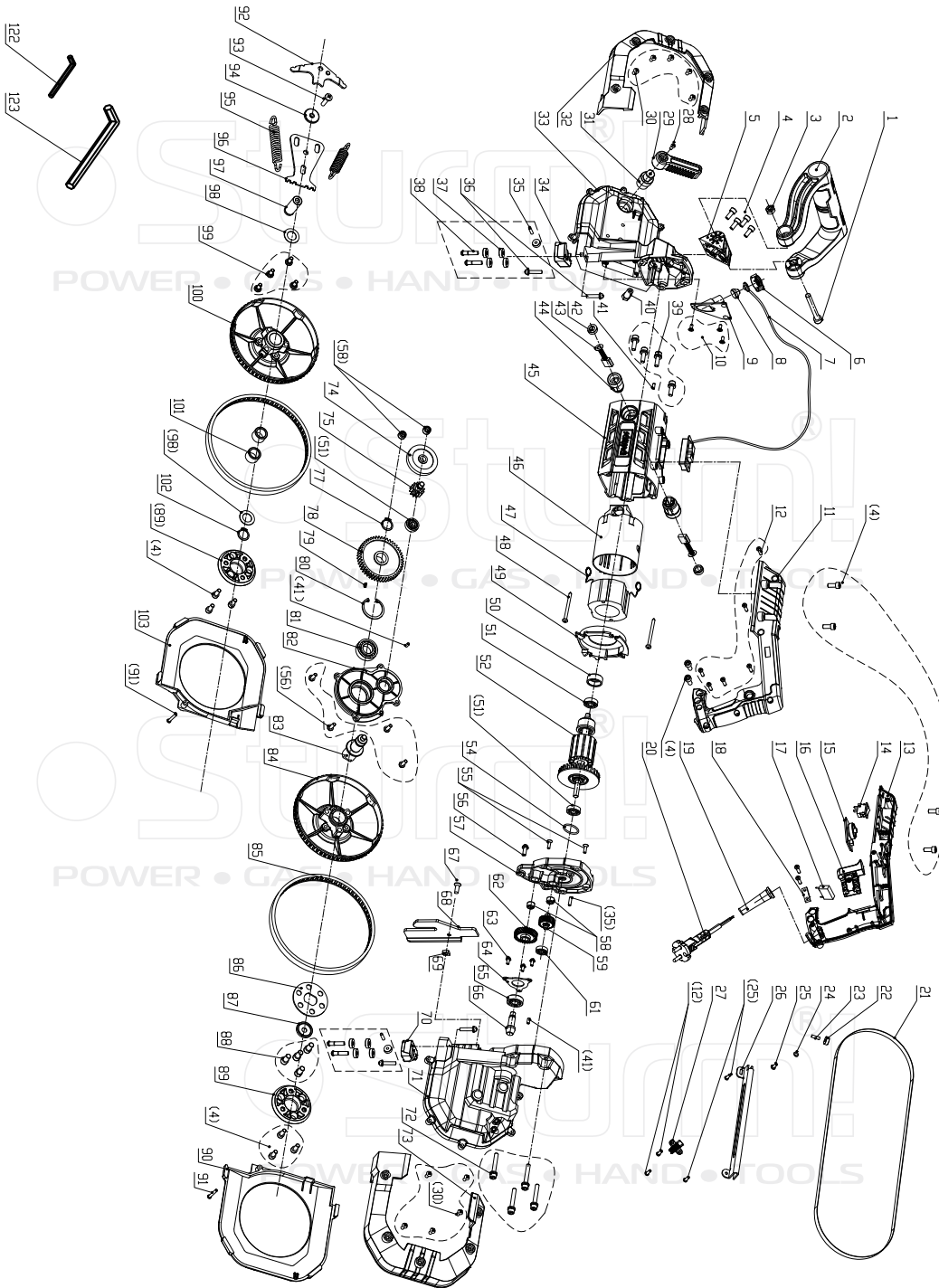


BSM3314



No	Description	No	Description
1	socket head cap screw	52	rotor
2	handle	54	0 ring
3	hexagon nut	55	cross recessed countersunk head screw
4	socket head cap screw	56	cross recess pan head screw
5	The handle seat	57	The middle cover
6	LED lamp holder cover	58	needle bearing HK0808
7	Transformer assembly	59	Cross axle gear shaft
8	Led Lamp	61	bearing626Z
9	LED lamp holder	62	The level of gear
10	cross recessed countersunk head screw	63	cross recess pan head screw
11	Upper handle	64	Bearing pressure plate
12	Cross recessed pan head tapping screws	65	bearing6000RS
13	Bottom handle	66	The secondary gear shaft
14	2309Alittle switch	67	Hexagon socket countersunk head screws
15	Speed control module	68	Block frame
16	switch	69	square nut
17	capacitor	70	Locating piece left
18	press board	71	The left box body
19	sheath	72	socket head cap screw
20	cable	73	The left cover
21	saw blade	74	The helical gear
22	bearing624z	75	Triple gear shaft
23	straight pin	77	circlip for shaft
24	flat gasket	78	rack wheel
25	cross recess pan head screw	79	flat key
26	Guide groove for saw blade	80	circlip for hole
27	Brush component	81	bearing6003Z
28	cross recess pan head screw	82	front cover
29	adjusting knob	83	output shaft
30	cross recess pan head screw	84	The left saw blade plate
31	eccentric shaft	85	rubber belt
32	Right shield	86	lower platen
33	The right Box body	87	top board
34	Right positioning block	88	socket head cap screw
35	Pin	89	Saw blade plate cover
36	cross recess pan head screw	90	Left shield cover
37	bearing696Z	91	cross recess pan head screw
38	cross recess pan head screw	92	spring support
39	socket head cap screw	93	cross recess pan head screw
40	Support adjusting screw	94	Adjusting wheel
41	straight pin	95	extension spring
42	Brush cover	96	Regulator mounting plate
43	brush	97	Tightener mounting column
44	brush holder	98	paper washer
45	main case	99	set screw
46	The stator cover	100	right Saw blade plate
47	stator	101	steel bushing ø21
48	Cross recessed pan head tapping screws	102	circlip for shaft
49	windshield	103	The right shield cover
50	bearing sleeve	122	socket head wrench
51	bearing608RS	123	socket head wrench

BSM3314

NO	Description
201	Cap nut
202	plane bearing
203	rocker arm
204	steel bushingø30
205	flat gasket
206	connecting base
207	Hexagon socket step screw
208	Tower type spring
209	Fast lock knob
210	hexagon prism
211	outer hexagonal bolts
212	Hexagon socket step screw
213	cross recess pan head screw
214	Plastic feet
215	nut
216	pedestal
217	locknut
218	Square neck bolt
220	socket head cap screw
221	cross recessed countersunk head screw
222	knockout plate
223	Activity block
224	Friction pad
225	inner nut
226	outer nut
227	Camshaft jacking block
228	Out cover
229	cross recessed countersunk head screw
230	push rod
231	Lock knob
232	cross recess pan head screw
235	flat gasket
236	clamping piece
237	Clamp mounting seat
238	link block
240	joint pin
241	The activity base
243	The clamping spring
244	guide bar
251	socket head cap screw

