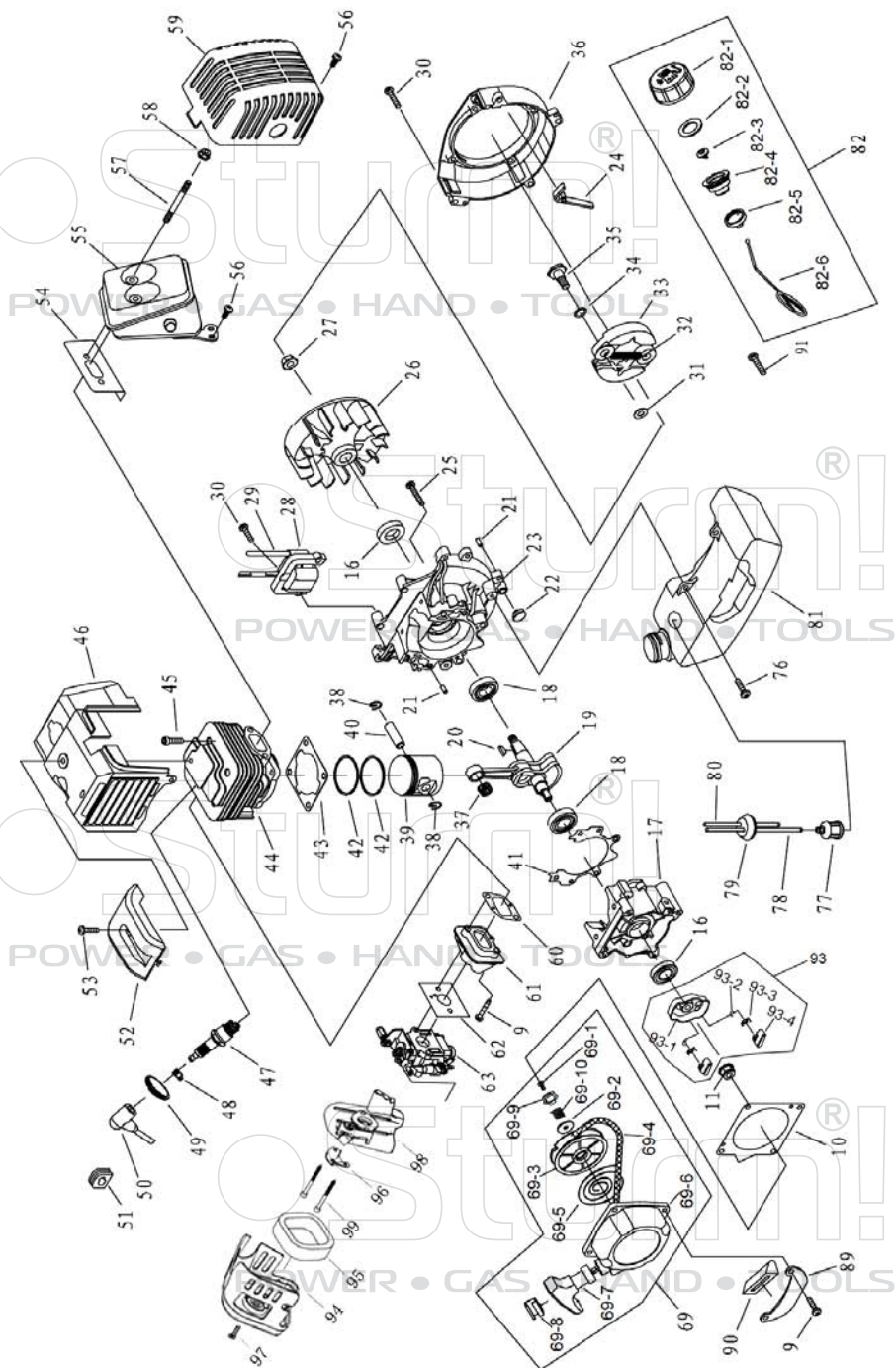


BT9133BL

NO.	DESCRIPTION	NO.	DESCRIPTION	NO.	DESCRIPTION
1	GEAR CASE ASSY	31	HARNES CLAMP	61	HAND GRIP
2	STOP RING	32	CLAMP	62	SPRING
3	STOP RING	33	SCREW M5X20	63	BOX RIGHT
4	BEARING 6000Z	34	NUT M5	64	SCREW ST2.9X18
5	PINION	35	CLUTCH COMP	65	SCREW M5X30
6	STEEL PLATE	36	CLUTCH DRUM COMP	66	CABLE COMP
7	CAPSCREW M5X20	37	STOP RING	67	TUBE
8	WASHER	38	BEARING 6202	68	STOP BUTTON COMP
9	SCREW M5X12	39	STOP RING	69	HAND GRIP
10	BOLT M6X12	40	UNKER	70	SPRING
11	WASHER	41	RUBBER COVER	71	BOX LEFT
12	GEAR CASE	42	SCREW M5X20	72	NYLON CUTTER HAND
13	BLADE COVER	43	SCREW M5X12	73	CASE
14	BEARING 6000Z	44	STOP RING	74	LEFT NUT
15	GEAR	46	CLAMP	75	WASHER
16	SHAFT	47	WIRE CLAMP BAND	76	SPRING
17	BEARING6002	48	HARNES ASSY	77	NYLON CORD
18	STOP RING	49	BOLT M5X25	78	CORD HOLDER
19	HOLDER	50	CAPLOWER	79	PLATEN
20	HOLDER	51	BRACKET	80	COVER
21	HOLDER	52	HANDLE	81	BRACKET
22	LEFT NUT	53	GRIP LEFT	82	SCREW M5X30
24	BLADE	54	CAP OPPER	83	SAFETY GUARD
25	PIPE COMP	55	HANDLE	84	WASHER
26	RUBBER COVER	56	LEVER ASSY	85	SCREW M5X16
27	OIL BEARING	57	SCREW ST2.9X13	87	GUARD
28	DRIVE SHAFT	58	BUTTON	88	BLADE
29	PIPE	59	SPRING	89	GUARD ASSY
30	HOLDER ASSY	60	CLOCK PIN		

ST20131104

Sturmi!
POWER • GAS • HAND • TOOLS



ENGINE FOR BT9133BL

NO.	DESCRIPTION	NO.	DESCRIPTION	NO.	DESCRIPTION
9	SCREW M5X20	44	CYLINDER	76	SCREW M5X16
10	GASKET	45	SCREW	77	CLEANER COVER
11	NUT	46	GUIDE COVER ASSY	78	OUTLET FUEL PIPE
16	OIL SEAL	47	SPARK PLUG	79	PLUG
17	CRANK CASE	48	SPRING	80	INLET FUEL PIPE
18	BEARING 6201	49	PLUG COVER	81	FUEL TANK
19	CRANK SHAFT	50	PLUG CAP	82	LID ASSY
20	KEY	51	PLUG	82-1	FUEL TANK LID
21	PIN	52	UPPER COVER	82-2	GASKET
22	RUBBER WASHER	53	SCREW	82-3	INLET
23	CRANK CASE	54	GASKET	82-4	INSIDE COVER
24	FLASH PIN	55	MUFFLER	82-5	LID
25	SCREW M5X30	56	SCREW	82-6	CHAIN
26	MAGNETO ROTOR COMP	57	BOLT	89	STAND
27	NUT	58	NUT	90	RUBBER COVER
28	IGNITION COLL COMP	59	MUFFLER COVER	91	SCREW M5X20
29	CORD COMP	60	GASKET	93	STARTER PULLEY ASSY
30	BOLT M5X20	61	ADMITTING PIPE	93-1	STARTER REEL
31	WASHER	62	GASKET	93-2	STOP RING
32	SPRING	63	CARBURETOR	93-3	STARTER PAWL SPRING
33	EXPANDER	69	STARTER	93-4	STARTER PAWL
34	WASHER	69-1	SCREW	94	AIRFILTER COVER
35	SCREW PIN	69-2	WASHER	95	AIR CLEANER
36	FAN COVER	69-3	START POPE REEL	96	AIRFILTER COVER SEAT
37	BEARING 9X12X12	69-4	POPE	97	SCREW
38	RING	69-5	RECOIL SPRING	98	CHOKE SEAT ASSY
39	PISTON	69-6	START COVER ASSY	99	SCREW
40	PISTON PIN	69-7	START HANDLE		
41	GASKET	69-8	RING		
42	PISTON RING	69-9	START RATCHET		
43	GASKET	69-10	EASY START COIL SPRING		

ST20131104