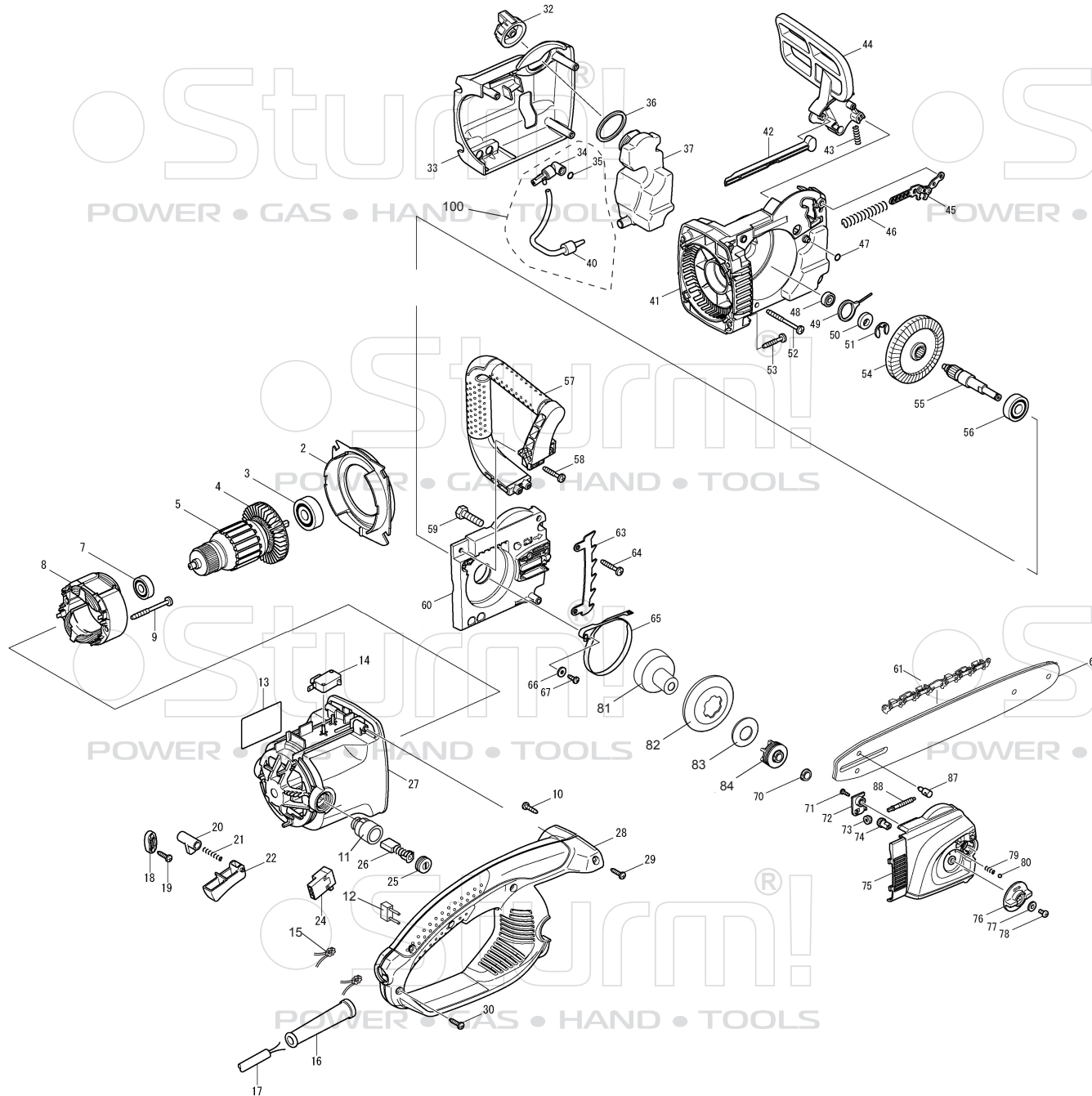


CC9923



| NO. | DESCRIPTION | NO. | DESCRIPTION |
|-----|-----------------------------|-----|-------------------------|
| 2 | BAFFLE PLATE | 47 | O RING |
| 3 | BALL BEARING 6003RS | 48 | BALL BEARING 6001RS |
| 4 | FAN | 49 | CRANK |
| 5 | ROTOR | 50 | CAM |
| 7 | BALL BEARING 6000RS | 51 | REATINING RING |
| 8 | STATOR | 52 | TAPPING SCREW |
| 9 | TAPPING SCREW | 53 | TAPPING SCREW |
| 10 | TAPPING SCREW | 54 | STRAIGHT BEVEL GEAR |
| 11 | BRUSH HOLDEN | 55 | SPINDLE |
| 12 | CAPACITOR | 56 | BALL BEARING 6201Z |
| 13 | NAME PLATE | 57 | FRONT HAND |
| 14 | SWITCH 1 | 58 | TAPPING SCREW |
| 15 | INDUCTANCE | 59 | HEX BOLT |
| 16 | CORD GUARD | 60 | BEARING HOUSING |
| 17 | CORD & PLUG | 61 | SAW CHAIN |
| 18 | CORD CLAMP | 62 | GUIDE BAR |
| 19 | TAPPING SCREW | 63 | SPIKE BUMPER |
| 20 | LOCK-OFF BUTTON | 64 | TAPPING SCREW |
| 21 | COMPRESSION SPRING | 65 | BRAKE BAND |
| 22 | SWITCH LEVER | 66 | FLAT WASHER |
| 24 | SWITCH 2 | 67 | TAPPING SCREW |
| 25 | BRUSH HOLDER CAP | 70 | NUT |
| 26 | CARBON BRUSH | 71 | TAPPING SCREW |
| 27 | MOTOR HOUSING | 72 | COVER |
| 28 | HANLDE SET | 73 | STRAIGHT BEVEL GEAR |
| 29 | TAPPING SCREW | 74 | STRAIGHT BEVEL GEAR |
| 30 | TAPPING SCREW | 75 | SPROCKET COVER COMPLETE |
| 32 | TANK CAP COMPLETE | 76 | DIAL |
| 33 | GEAR HOUSING COVER COMPLETE | 77 | FLAT WASHER |
| 34 | OIL PUMP COMPLETE | 78 | BINDING HEAD SCREW |
| 35 | O-RING | 79 | COMPRESSION SPRING |
| 36 | SPONGE SEAL | 80 | STEEL BALL |
| 37 | OIL TANK | 81 | CONNECT BLOCK |
| 40 | OIL TUBE | 82 | BRAKE DUMP |
| 41 | GEAR HOUSING | 83 | WASHER |
| 42 | ROD | 84 | CHAIN WHEEL |
| 43 | COMPRESSION SPRING | 87 | ADJUST PIN |
| 44 | FRONT HAND GURARD | 88 | ADJUST SCREW |
| 45 | LINK PLATE GUARD | 100 | 100 OIL PUMP ASSY |
| 46 | COMPRESSION SPRING | | |