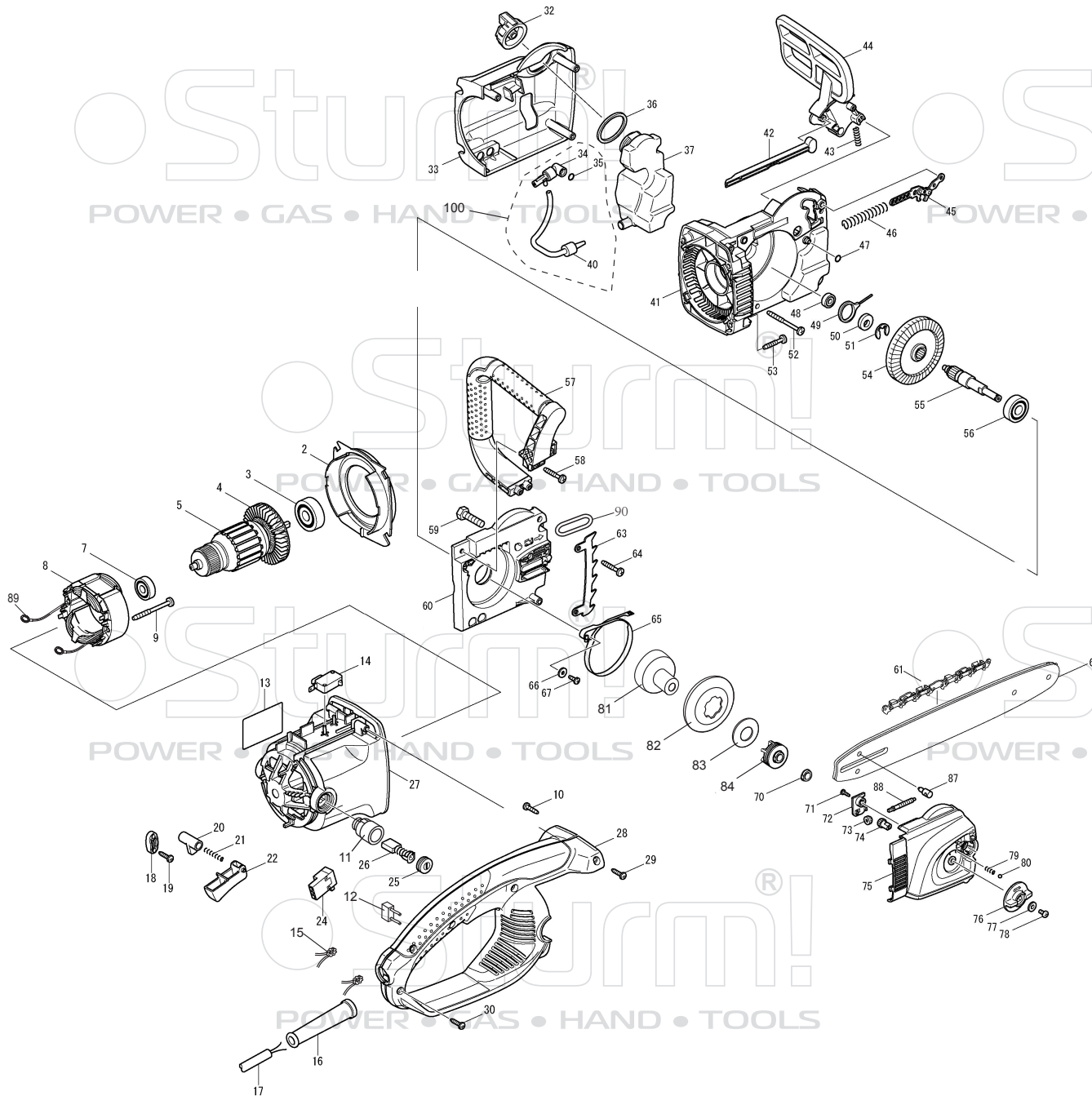


CC9923



NO.	DESCRIPTION	NO.	DESCRIPTION
2	BAFFLE PLATE	48	BALL BEARING 6001RS
3	BALL BEARING 6003RS	49	CRANK
4	FAN	50	CAM
5	ROTOR	51	RETAINING RING
7	BALL BEARING 6200RS	52	TAPPING SCREW
8	STATOR	53	TAPPING SCREW
9	TAPPING SCREW	54	STRAIGHT BEVEL GEAR
10	TAPPING SCREW	55	SPINDLE
11	BRUSH HOLDEN	56	BALL BEARING 6201Z
12	CAPACITOR	57	FRONT HAND
13	NAME PLATE	58	TAPPING SCREW
14	SWITCH 1	59	HEX BOLT
15	INDUCTANCE	60	BEARING HOUSING
16	CORD GUARD	61	SAW CHAIN
17	CORD & PLUG	62	GUIDE BAR
18	CORD CLAMP	63	SPIKE BUMPER
19	TAPPING SCREW	64	TAPPING SCREW
20	LOCK-OFF BUTTON	65	BRAKE BAND
21	COMPRESSION SPRING	66	FLAT WASHER
22	SWITCH LEVER	67	TAPPING SCREW
24	SWITCH 2	70	NUT
25	BRUSH HOLDER CAP	71	TAPPING SCREW
26	CARBON BRUSH	72	COVER
27	MOTOR HOUSING	73	STRAIGHT BEVEL GEAR
28	HANLDE SET	74	STRAIGHT BEVEL GEAR
29	TAPPING SCREW	75	SPROCKET COVER COMPLETE
30	TAPPING SCREW	76	DIAL
32	TANK CAP COMPLETE	77	FLAT WASHER
33	GEAR HOUSING COVER COMPLETE	78	BINDING HEAD SCREW
34	OIL PUMP COMPLETE	79	COMPRESSION SPRING
35	O-RING	80	STEEL BALL
36	SPONGE SEAL	81	CONNECT BLOCK
37	OIL TANK	82	BRAKE DUMP
40	OIL TUBE	83	WASHER
41	GEAR HOUSING	84	CHAIN WHEEL
42	ROD	87	ADJUST PIN
43	COMPRESSION SPRING	88	ADJUST SCREW
44	FRONT HAND GURARD	89	SPRING COIL
45	LINK PLATE GUARD	90	OIL SEALING RUBBER RING
46	COMPRESSION SPRING	100	100 OIL PUMP ASSY
47	O RING		

UK-ST20180822-02