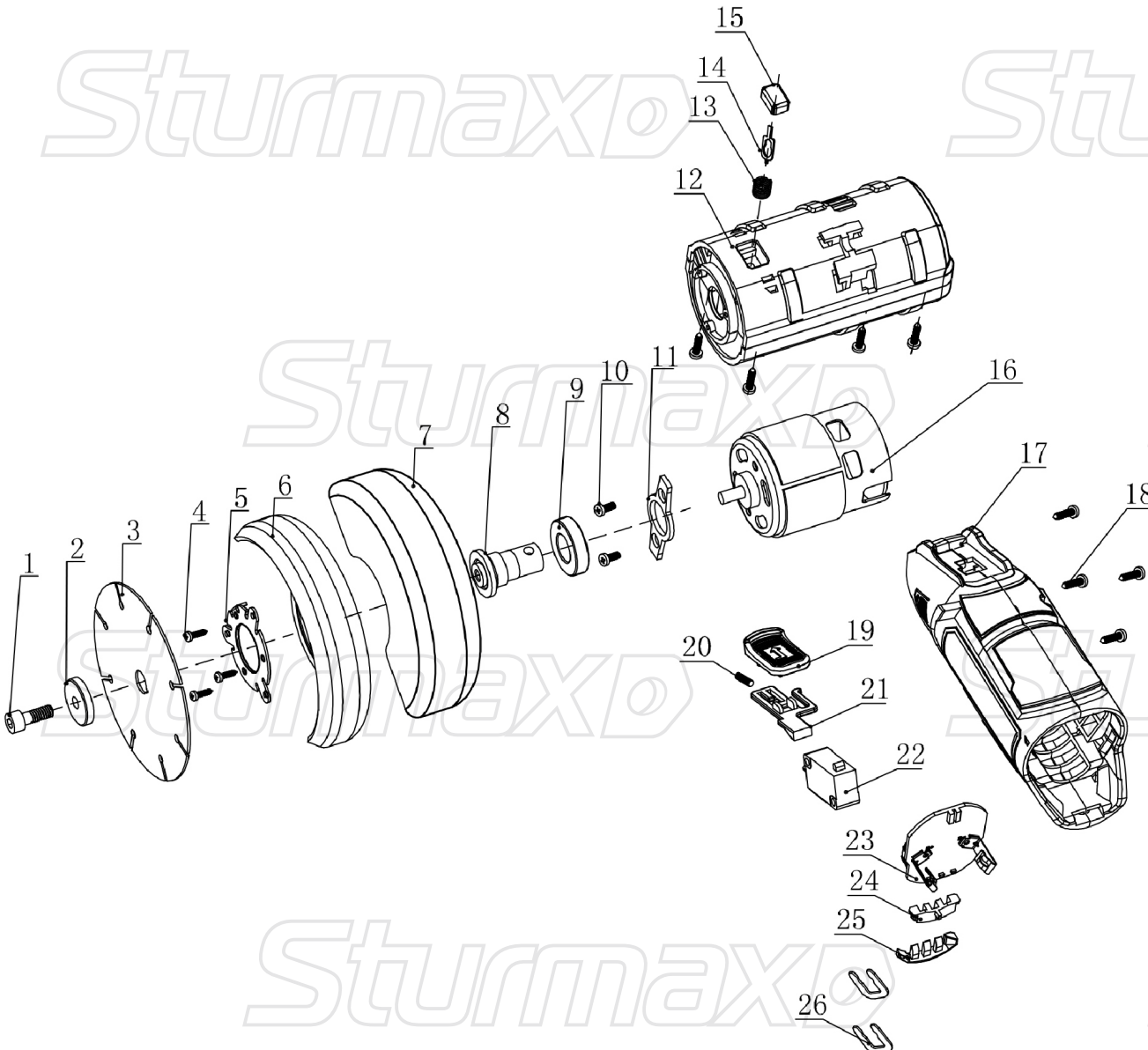


AGM9076CL



NO.	DESCRIPTION
1	Screw M5X12
2	Outer flange
3	Cutting blade
4	Screw ST3X12
5	Guarder plate
6	Movable guarder
7	Plastic guarder
8	Output shaft
9	Bearing 6802Z
10	Screw M4X6
11	Motor bracket
12	Housing
13	spring
14	Lock piece
15	Lock Button
16	Motor
17	Handle
18	Screw ST3X14
19	Button
20	spring
21	Switch push rod
22	Switch
23	Motor PCB
24	Lighting bracket
25	Lighting cover
26	Clamp