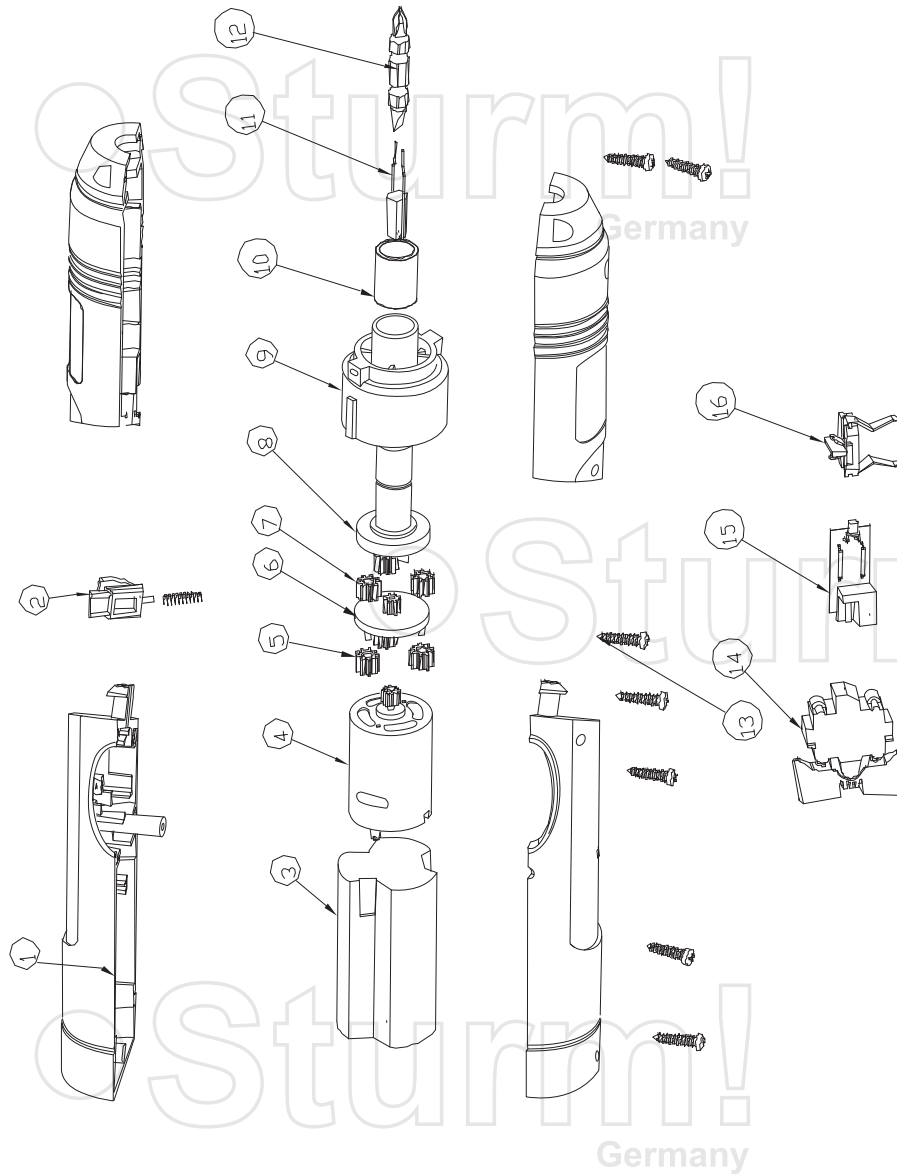


AS3536B



NO.	DESCRIPTION
1	ENCLOSURE
2	LOCKING ASS
3	BATTERY PACK
4	MOTOR
5	PLANET GEAR
6	PLANETARY BRACKET
7	PLANET GEAR
8	SHAFT
9	GEAR BOX
10	SHAFT SLEEVE
11	CLAMPING ASS
12	DRIVER BIT
13	TAPPING SCREW
14	DC-SWITCH
15	PCB
16	POLE PLATE

RU59701