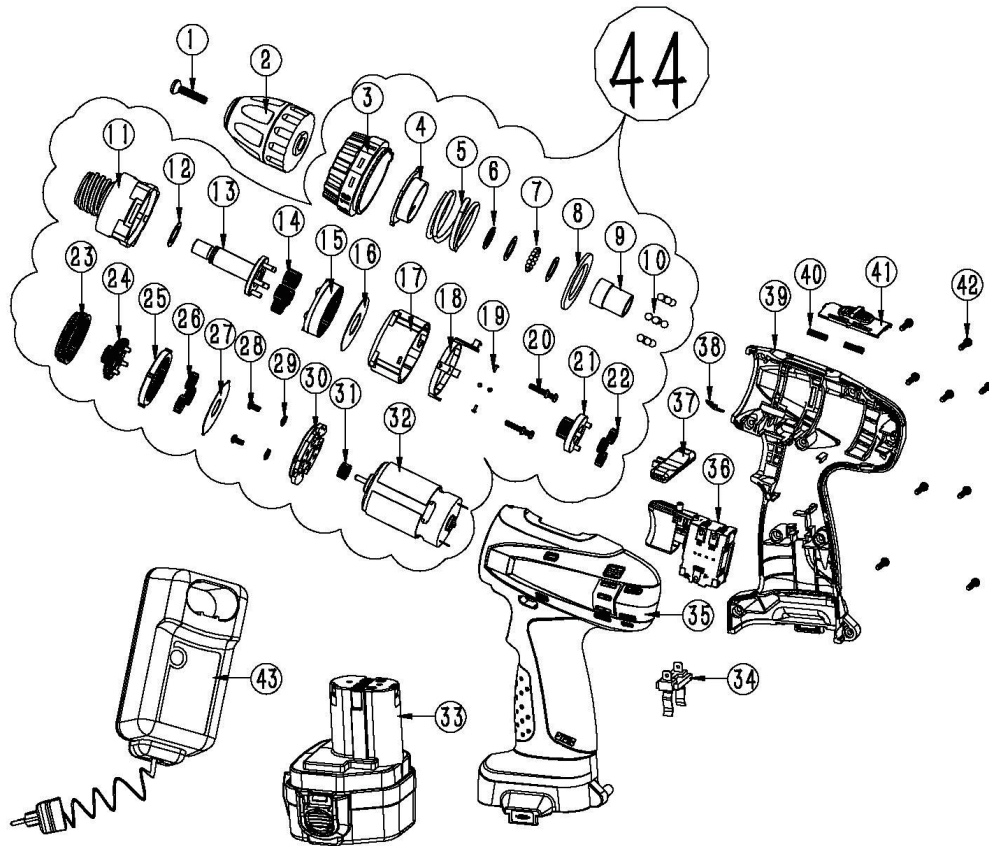


CD30122M/CD30182M



NO.	DESCRIPTION	NO.	DESCRIPTION
1	SCREW	24	1ST SUN GEAR
2	CHUCK	25	1ST RING GEAR
3	CLUTCH CAP	26	1ST PLANE GEAR
4	ADJUST NUT	27	WAHSER
5	SPRING	28	M-SCREW
6	c-RING	29	SPRING WAHSER
7	STEEL BALL	30	MOTOR PLATE
8	WASHER	31	PIOION
9	BUSH	32	MOTOR 18V
10	STEEL BALL	32-B	MOTOR 12V
11	FRONT GEAR BOX	33	12V BATTERY PACK
12	WAHSER	33-B	18V BATTERU PACK
13	SPINDLE	34	CONTACT PLATE HOLDER
14	3RD PLANET GEAR	35	SUPPORT HOUSE
15	3RD RING GEAR	36	SWITCH
16	WAHSER	37	F/R LEVER
17	REAR GEAR BOX	38	LEAF SPRING
18	STALL SLEEVE	39	COVER HOUSE
19	PIN	40	SPRING
20	SCREW	41	SPEED CHANGE LEVER
21	2ND SUN GEAR	42	SCREW
22	2ND PLANE GEAR	43	1H Charge
23	2ND RING GEAR	44	GEAR BOX ASSEMBLED