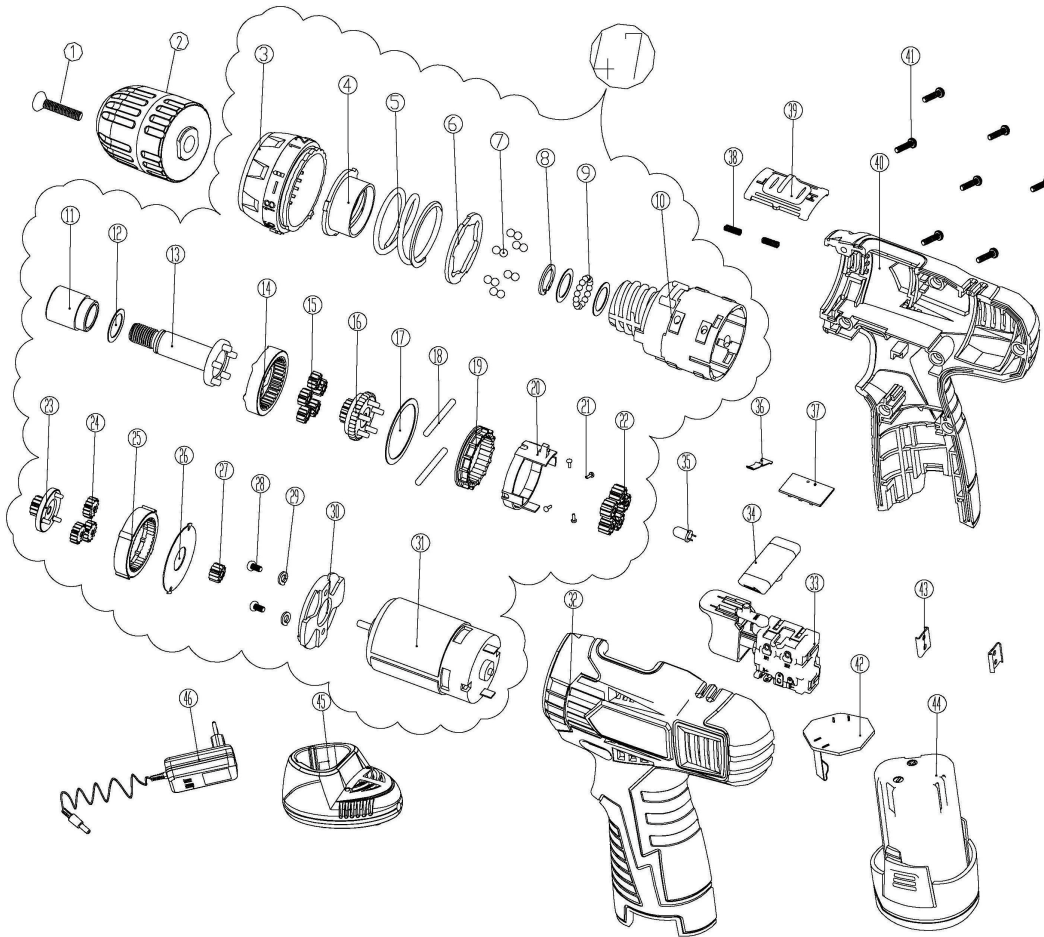


CD32122



NO.	DESCRIPTION	NO.	DESCRIPTION
1	Screw	25	1st Ring gear
2	Chuck	26	Washer
3	CLUCTH CAP	27	Motor gear
4		28	M3*8 Screw
5	Spring	29	Washer
6	Washer	30	Motor plate
7	4mm steel ball	31	Motor
8	Circlip	32	Left housing
9	3mm steel ball	33	Switch
10	Gear box	34	Button
11	Bush	35	Led light
12	Washer	36	Plate
13	Output shaft	37	LED display plate
14	3rd ring gear	38	Spring
15	3rd Planet gear	39	Two speed knob
16	2nd Sun gear	40	Right housing
17	Washer	41	ST3*16 Screw
18	Pin	42	rear housing cover
19	2nd ring gear	43	PCB board
20	Stall sleeve	44	Battery.
21	Pin	45	Charger stand
22	2nd Planet gear	46	adaptor
23	1st Sun gear	47	GEAR BOX ASSEMBLED
24	1st Planet gear		