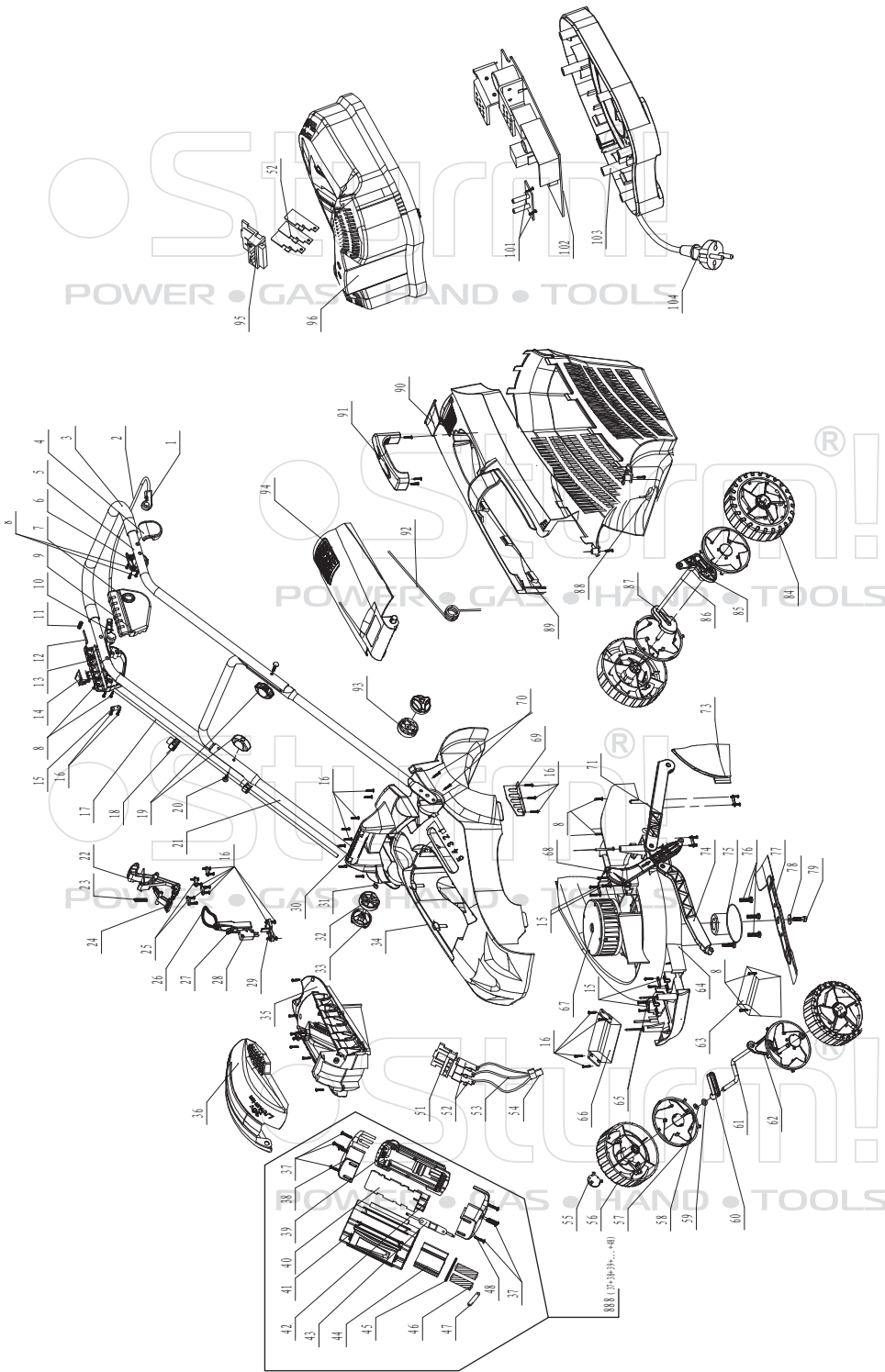


# CL4437



NO.	DESCRIPTION	NO.	DESCRIPTION
1	CONNECTION TUBE	52	INNER
2	STEEL TRIGGER	53	WIRE
3	SOFT GRIP HANDLE	54	INSERT
4	TRIGGER CONNECTION	55	WHEEL GAP
5	UPPER HANDLE	56	FRONT WHEEL
6	TRIGGER CONNECTION	57	WHEEL COVER
7	BUTTON	58	SCREW
8	TAPPING SCREW 4.0X19	59	WASHER
9	SWITCH BOX	60	FRONT POSITION SUPPORT
10	RIGHT TRIGGER	61	FRONT AXLE
11	PRESSURE SPRING	62	FRONT RUN SUPPORT
12	SPRING	63	WEIGHT STACK
13	SWITCH SYSTEM	64	BASE PLATE
14	SWITCH	65	SCREW
15	PRESSURE PLATE	66	MOTOR CONTROLLER
16	TAPPING SCREW ST4.0X16	67	MOTOR SYSTEM
17	CABLE	68	WRENCH+INSERTS ROLL
18	CABLE CLIP	69	GEARS POSITION SUPPORT
19	SCREW KNOB	70	SCREW
20	BOLT	71	BACK CHAIN POLE
21	LOWER HANDLE	73	PANEL
22	KNOB	74	FRONT CHAIN POLE
23	KNOB TENSION SPRING	75	TOOL APRON
24	KNOB SUPPORT	76	SCREW
25	CABLE CLAMP	77	BLADE
26	LINE	78	SPRING WASHER
27	ELECTRIFY LOCK	79	BOLT
28	MICROSWITCH	84	BACK WHEEL
29	COVER BOARD	85	BACK RUN SUPPORT
30	MAIN HANDLE	86	BACK AXLE
31	BOLT	87	BACK POSITION SUPPORT
32	RIGHT LOCKING SUPPORT	88	GRASS COLLECTION BOX
33	SCREW+BOLT	89	GRASS COLLECTION BOX COVER
34	HOUSING	90	BOX FLAP
35	BATTERY HOLDER	91	BOX HANDLE
36	BATTERY COVER	92	SPRING
37	SCREW	93	LEFT LOCKING SUPPORT
38	TOP COVER+SOFT LEATHER	94	DUST EXCLUDING PLATE
39	COVER	95	CHARGER INSERT SEAT
40	PCB SYSTEM	96	CHARGER SEAT
41	MIDDLE COVER	101	PCB LED INDICATOR ASSEMBLY
42	FEMALE INSERT	102	PCB SYSTEM
43	FUSE	103	CHARGER CAP
44	FRAME	104	CHARGER CABLE AND PLUG
45	BATTERY DIELECTRIC	888	BATTERY PACK
46	BATTERIES		
47	NICKEL SHEET		
48	LOWER COVER+SOFT LEATHER		
51	BATTERY HOLDER INSERT SEAT		