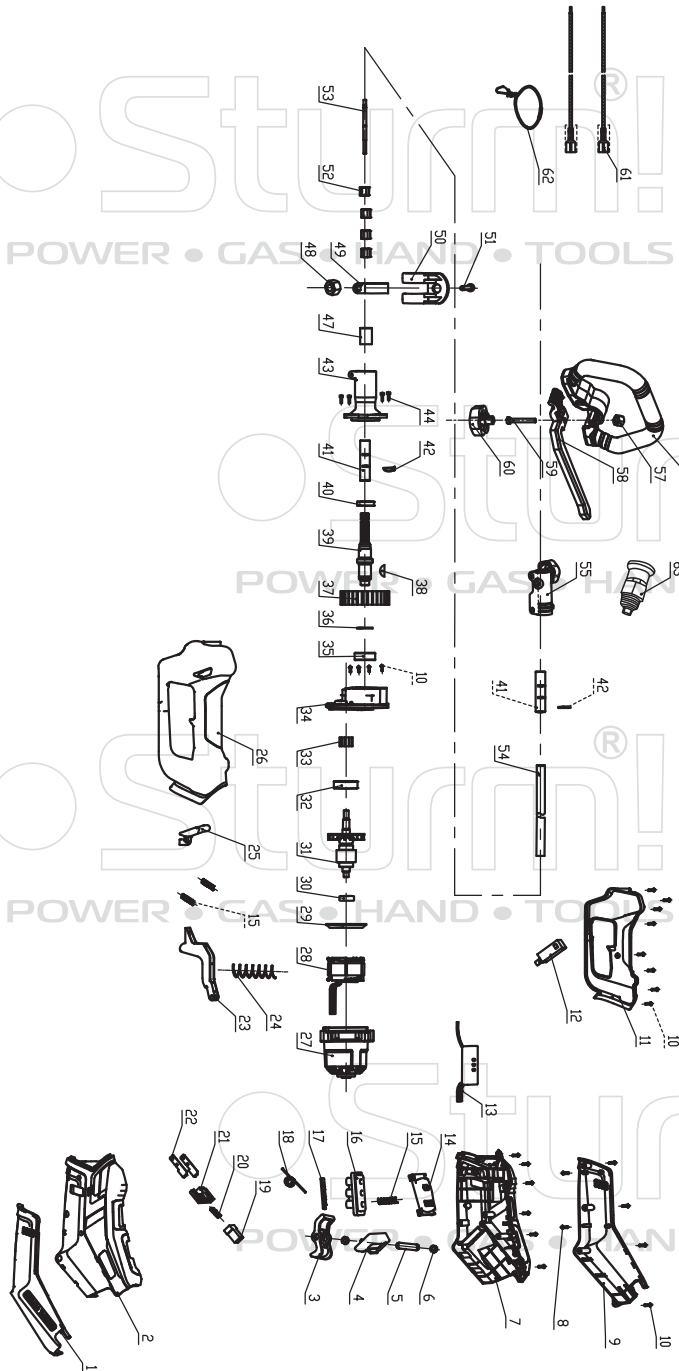
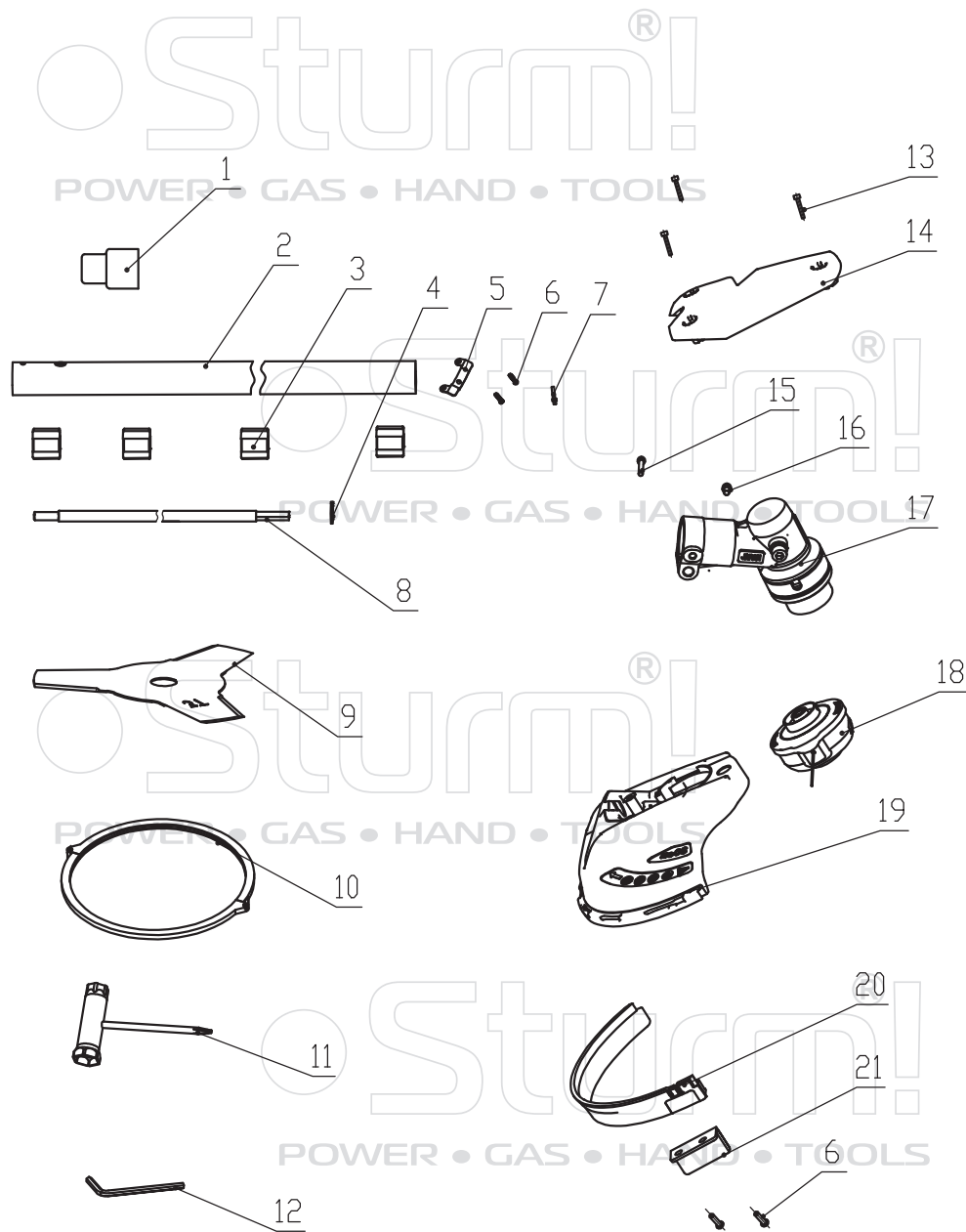


GT3530CL



NO.	DESCRIPTION	NO.	DESCRIPTION
1	LEFT DECORATION COVER	34	GEAR BOX
2	LEFT HOUSING	35	BEARING 697
3	DRIVING KONB	36	CIRCLIP 10
4	BATTERY FIXING BLOCK	37	BIG GEAR
5	ROTATED AXLE	38	KEY
6	RETAINER RING	39	OUTPUT SHAFT
7	RIGHT HOUSING	40	BEARING 6000
8	SCREW ST4X14	41	CONNECTING SLEEVE
9	RIGHT DECORATION COVER	42	CIRCLIP
10	SCREW 4X16	43	NUT M5
11	RIGHT HANDLE	44	SCREW ST*16
12	SWITCH	47	RUBBER COVER
13	PCB BOARD	48	NUT M5
14	BATTERY BUTTON	49	SPONGE
15	PUSHING KNOB SPRING	50	CONNECTING SLEEVE
16	INDICATOR BOARD	51	SCREW M5X20
17	BATTERY VOLUME INDICATOR BOARD	52	SWINGING RING
18	TORSION SPRING	53	FRONT HARD AXLE
19	COVEX PIECE	54	FRONT ALUMINUM PIPE
20	SPRING	55	ALUMINUM CONNECTOR
21	TERMINAL FIXED BLOCK	56	HANDLE
22	BATTERY CHIP	57	NUT M6
23	TRIGGER	58	LOWER HANDLE
24	TRIGGER SPRING	59	BOLT M6X45
25	SELF LOCK BUTTON	60	KNOB
26	LEFT HANDLE	61	CONNECTING LINE
27	MOTOR HOUSING	62	BELT
28	STATOR	63	BOLT - ON COUPLING
29	FAN COVER		
30	BEARING 606		
31	ARMATURE		
32	BEARING 608		
33	SMALL GEAR		



GT3530CL-1

NO.	DESCRIPTION
1	PROTECT COVER
2	BACK ALUMINUM PIPE
3	OIL BEARING
4	RETAINER RING
5	FIXED PLATE
6	SCREW ST4X16
7	RIVET 4X6
8	BACK HARD AXLE
9	3T BLADE
10	BLADE PROTECTION COVER
11	SOCKET SPANNER
12	SOCKET HEAD WRENCH
13	SCREW M6X25
14	GRASS BOARD TOP COVER
15	SCREW M5X25
16	SCREW M5X12
17	GEAR BOX ASSY
18	SPOOL
19	GRASS BOARD
20	GRASS BOARD SEAT
21	SMALL BLADE

UK-ST20191127