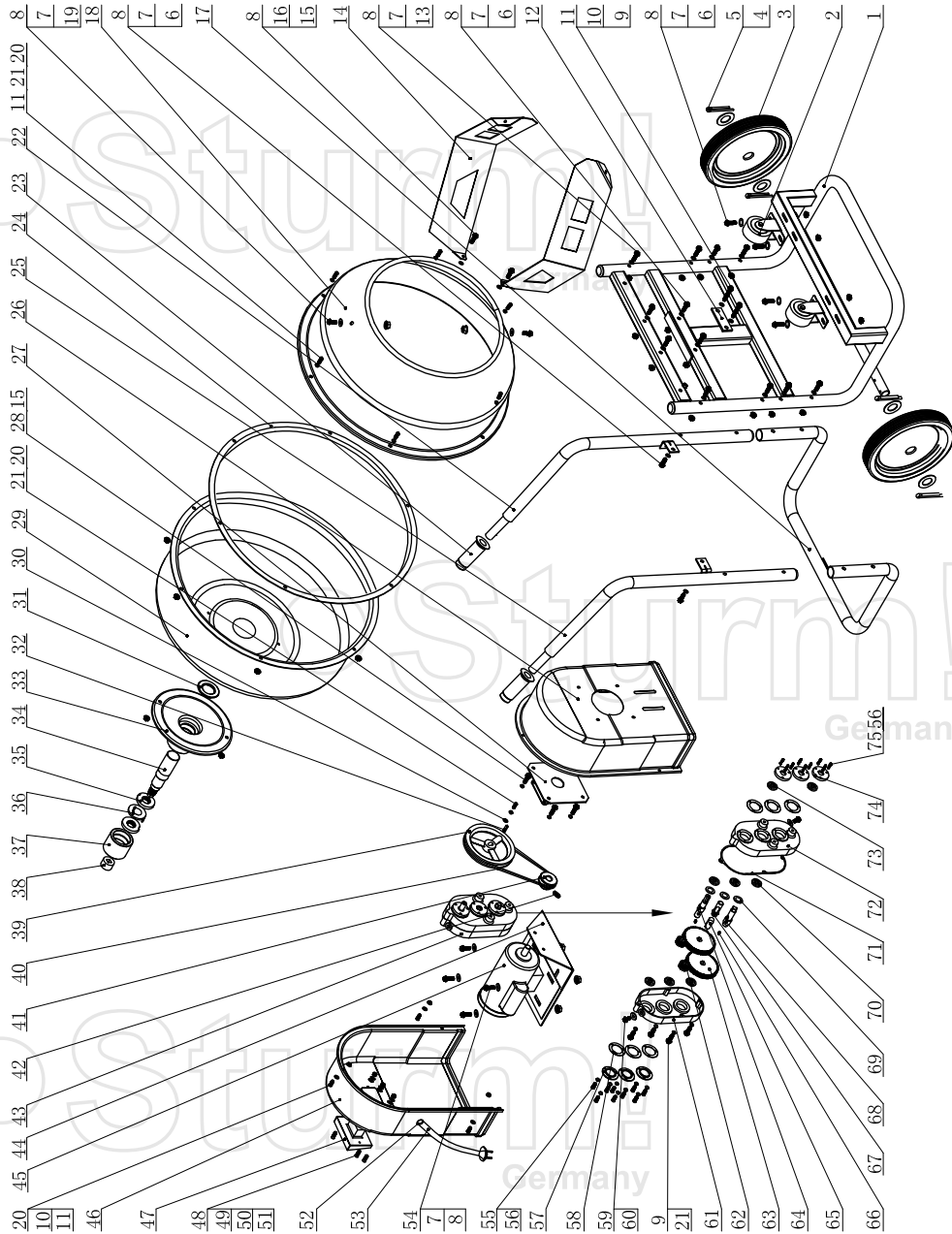


CM1913F



NO.	DESCRIPTION	NO.	DESCRIPTION
1	BACK BRACKET	39	PULLEY(L)
2	WHEEL	40	BLET
3	RUBBER WHEEL	41	PULLEY(S)
4	PIN 5*45	42	ADJUST SCREW M*12
5	WASHER 25	43	REDUCER BRACKET
6	SCREW M8*35	44	MOTOR BASE PLATE
7	WASHER 8	45	MOTOR
8	SET NUT M8	46	MOTOR BASE
9	SCREW M6*45	47	SWITCH
10	WASHER 6	48	SCREW M*12
11	SET NUT M6	49	WASHER 4
12	PRESSURE PLATE	50	SPRING WASHER
13	SCREW M8*75	51	NUT M4
14	MIXER	52	CORD SLEEVE
15	SCREW M*20	53	CORD
16	ALUMINIUM WASHER	54	SCREW M*16
17	FRONT BRACKET	55	SCREW M5*10
18	UP DRUM	56	WASHER 5
19	SCREW M8*16	57	BEARING COVER
20	SCREW M6*16	58	WASHER
21	WASHER 6	59	SCREW
22	LEFT BRACKET	60	WASHER
23	RUBBER HANDLE	61	REDUCER COVER
24	RUBBER BUSH	62	GEAR(S)
25	RIGHT BRACKET	63	GEAR(L)
26	MOTOR BASE COVER	64	SHAFT III
27	REDUCER BRACKET	65	SPRING PIN
28	WASHER 8	66	SPRING PIN
29	BELOW DRUM	67	SHAFT II
30	WASHER	68	SHAFT I
31	BUSH	69	WASHER
32	PIN A5*22	70	BEARING 6002Z
33	BASE	71	GASKET
34	SHAFT	72	REDUCER BASE
35	NUT M20*1.5	73	OIL SEED 15*25*7
36	WASHER 20	74	BEARING COVER I
37	IRON TUBE	75	SCREW M5*14
38	SHAFT CONNECTING APPARATUS		

RU70515-1