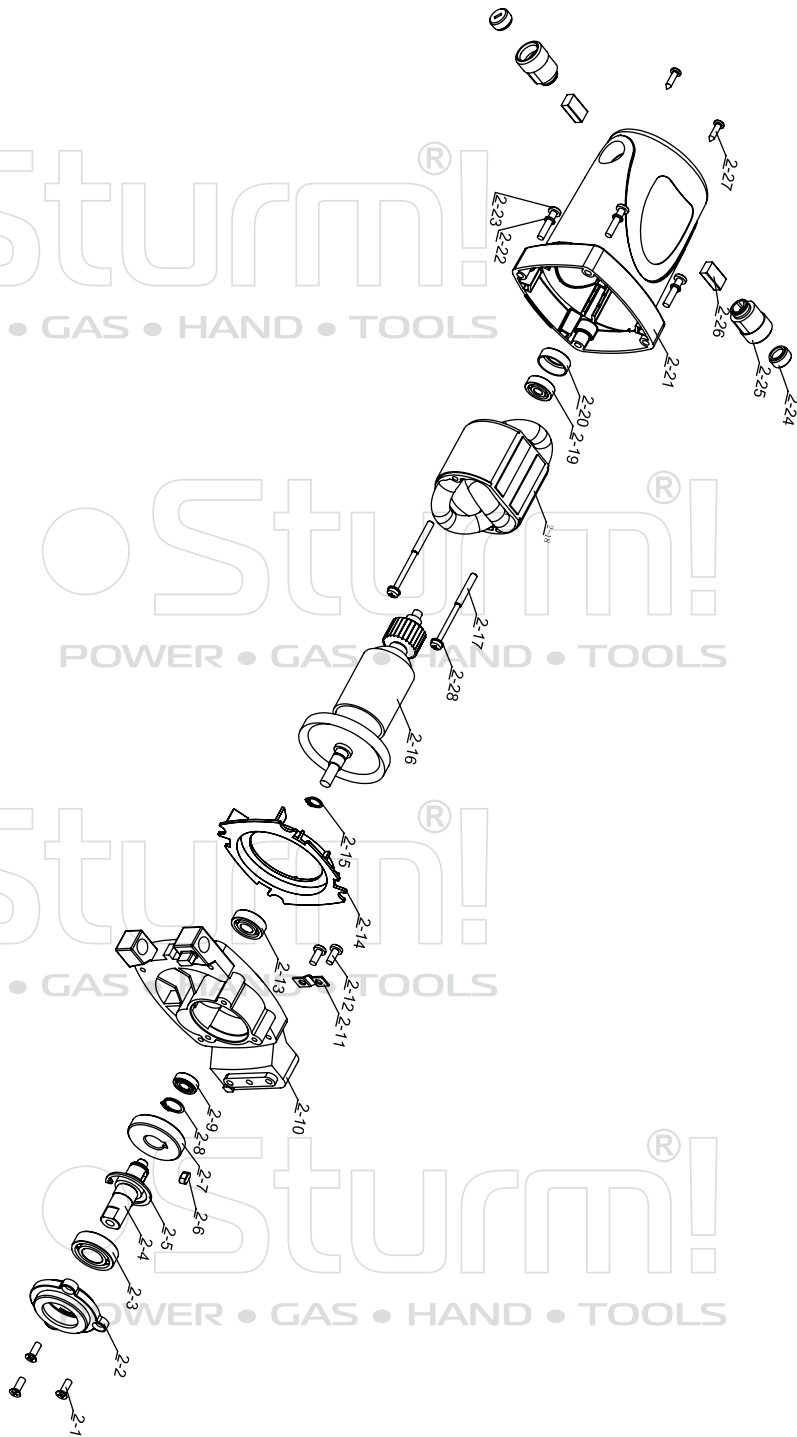


CS50250TB

No.	Name	No.	Name	No.	Name	No.	Name
2	Electric machinery	32	Pointer	62	Non-standard carriage screw	92	Switch box
3	Nut	33	Cross recessed screws	63	Table board	93	Pressing line plate switch box
4	Motor fixing plate	34	Cross plus flat screw	64	Auxiliary right	94	Lock handle
5	Hinge	35	Handle	65	On the cover	95	Cross recessed screws
6	Cross recessed head screws	36	Crank	66	Cross recessed three combination screw	96	Widened flat pad
7	Long support	37	Regulating hand body	67	Carriage screw	97	Widened flat pad
8	Step screw	38	Hand wheel shaft	68	Knob	98	Stop sleeve
9	Nut	39	U shape plate	69	Angle square	99	Box
10	Outer six angle three combination screw	40	Hand wheel support plate	70	Square label	100	Cross recessed screws
11	Auxiliary rear surface	41	Cross recessed screws	71	Guide block	101	Bridge
12	Distributor plate	42	Flat pad	72	Square locking handle	102	Power cord
13	Cross recessed screws	43	Screw rod spacer	73	Rivet diameter	103	Outlet hose B
14	Laser	44	Bevel gear	74	Push rod holder 2	104	Cross recessed screws
15	Distributor	45	Stop nut	75	Push rod holder 1	105	Big right angle
16	Distributor plate	46	Wire rod	76	Push rod	106	Self locking nut
17	Six angle flange screws	47	Cross recessed screws	77	Short transverse brace	107	Cross recessed head screws
18	Saw blade	48	Inner six angle screw	78	Gusset	108	Self locking nut
19	The wild card disc	49	Elastic pad	79	Foot	109	Table board
20	Flat pad	50	Fixed guide bar stuffy cover	80	Elastic pad	110	External six angle screw
21	External six angle screw	51	Carriage screw	81	Carriage screw	111	Left Mesa
22	Under the hood	52	Movable guide ruler stuffy cover 2	82	Flat pad	112	Left 2 table
23	Rotating baffle	53	Short support	83	Supporting leg	113	Movable table
24	Movable guide ruler stuffy cover 1	54	Auxiliary left	84	Long transverse brace	114	Table board
25	Movable guide ruler	55	Fixed guide	85	Angle label	115	Right Mesa
26	Cross recessed screws	56	Guide bar locking handle assembly	86	rack	116	Baffle block
27	Widened flat pad	57	Rotary sleeve	87	Cross recessed flat screw	117	External six angle screw
28	Cross recessed three combination screw	58	Sliding body	88	Capacitance	118	Nut
29	In chuck	59	Guide pointer	89	Cross recessed screws	119	Torsion spring
30	Saw blade guard	60	Flat pad	90	switch		
31	Inner six angle screw	61	Lock core shaft	91	inductance		

POWER • GAS • HAND • TOOLS

POWER • GAS • HAND • TOOLS



CS50250TB

No.	Name
2-1	screw
2-2	bearing holder
2-3	bearing 6003Z
2-4	shaft
2-5	circlip
2-6	key
2-7	big gear
2-8	circlip
2-9	bearing 698Z
2-10	front cover
2-11	press board
2-12	screw
2-13	bearing 6000Z
2-14	wind guide
2-15	circlip
2-16	rotor
2-17	screw
2-18	stator
2-19	beaing 627Z
2-20	bearing cover
2-21	motor housing
2-22	spring washer
2-23	screw
2-24	brush cover
2-25	carbon brush holder
2-26	carbon brush
2-27	screw
2-28	washer