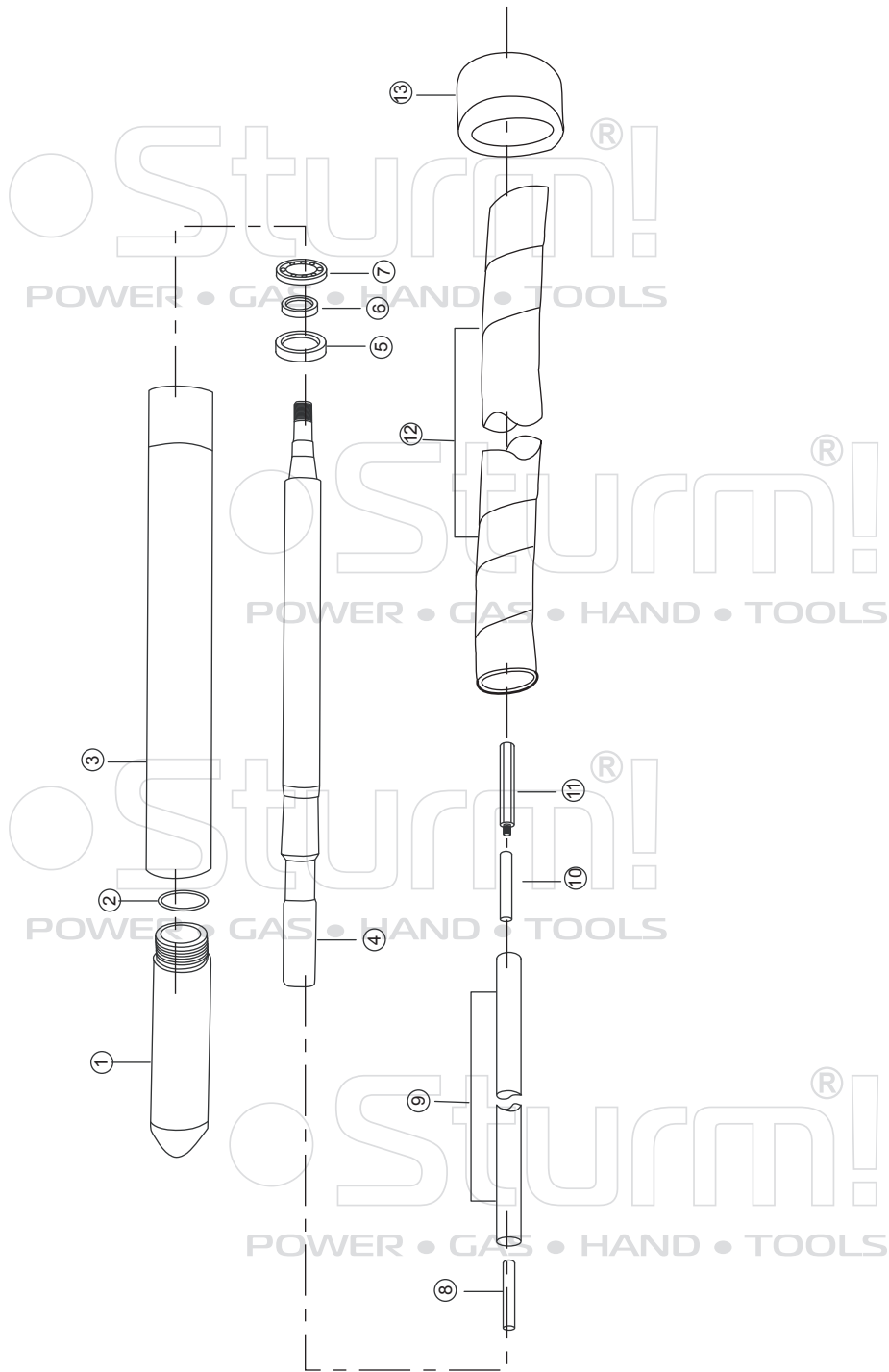


## CV7110

NO.	DESCRIPTION	NO.	DESCRIPTION
1	SPINDLE	16	WIND GUARD
2	KEY	17	SCREW
3	BEARING 6200RS	18	STATOR
4	SCREW	19	HOUSING
5	GEAR BOX	20	SWITCH
6	GEAR	23	CORD CLAMP
7	CIRCLIP	24	SCREW
8	STEEL BUSH	25	CORD SLEEVE
9	MIDDLE COVER	26	CORD
10	BEARING 6200RS	27	CIRCLIP
11	ROTOR	28	SCREW
12	CARBON BRUSH	990	VIBRATION SPEAR
13	CARBON BRUSH HOLDER	888	HANDLE ASSEMBLE
14	BEARING 608Z		
15	WASHER		

ST20101217-01



## Vibrator for CV7110

NO.	DESCRIPTION
1	CAP HEAD
2	O-RING
3	CASE
4	ROTARY SHAFT
5	COUNTER OIL SEAL
6	OIL SEAL
7	BEARING
8	SHAFT JOINT
9	FLEXILE SHAFT
10	SHAFT JOINT
11	HEX SHAFT JOINT
12	FLEXILE HOSE
13	LOCKING NUT

ST20101217-01