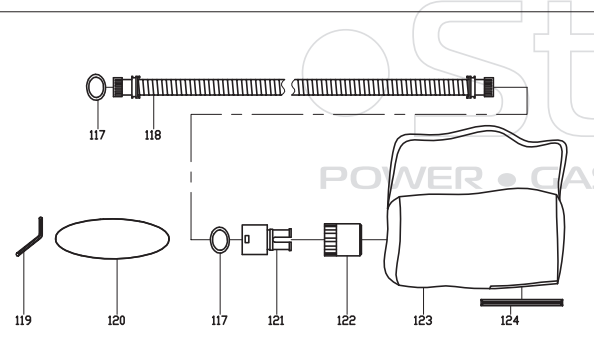
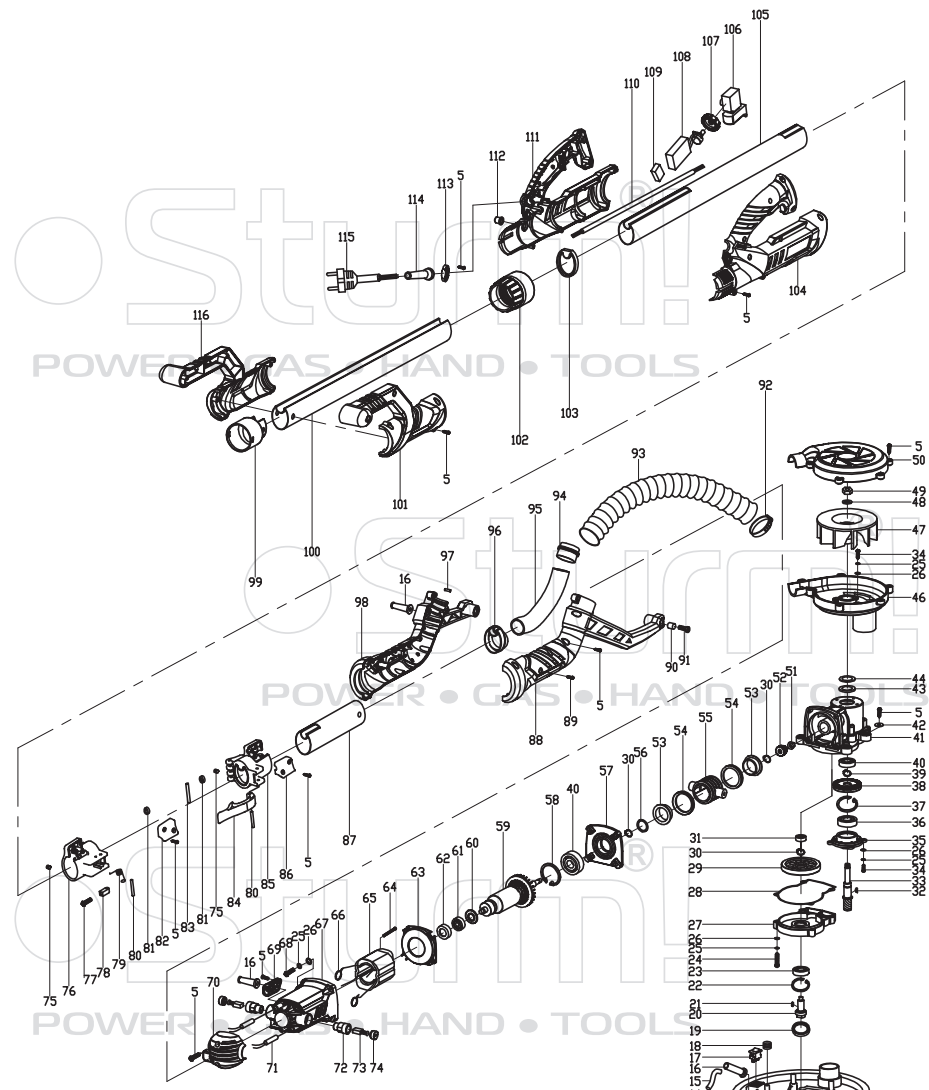


DWS6075SL



NO.	DESCRIPTION	NO.	DESCRIPTION	NO.	DESCRIPTION
1	hex socket screwsM6X16	42	Washer Ø4.2XØ12X1	84	Wrench
2	Washer 6	43	Felt pad Ø10XØ23X3	85	Front folding joint
3	Polishing pad	44	WasherØ10.2XØ23X1	86	Front folding joint block
4	Tapping screw ST4X12	46	Down fan blade room	87	Front main alloy pipe
5	Self-tapping screwsST4X14	47	Fan blade	88	Right front handle
6	Brush	48	Washer8	89	Tapping screw ST4X30
7	Hood	49	Lock nutM8	90	Steel bushing Ø6XØ8X8
8	Brush segment	50	Upper fan blade house	91	Socket head cap screw M6X16
9	Inner cover edge	51	Lock nut M6	92	Clamp 25-38
10	LED cover	52	Small bevel gear	93	Suction hose
11	LED light driver	53	Plastic sleeve	94	Hose connection
12	Light driver cover	54	Damping ring	95	Wired hoseØ28
13	LED light driver	55	Pivot bush unit	96	Bushing block
14	Sanding pad cover	56	Felt pad	97	Cylindrical pin
15	LED light cable	57	Middle cover	98	Left front handle
16	Cable sleeve	58	Hole circlip26	99	Connector
17	LED light switch	59	Rotor	100	Extension alloy pipe
18	Spring	60	Dust ring	101	Right rear handle
19	Skeleton seal	61	Bearing 607-2RS	102	Tighten connector
20	Output shaft	62	Bearing sleeve	103	Seal ring
21	Flat key 3X3X8	63	Anti-wind ring	104	Right main handle
22	Hole circlip 22	64	Slotted tapping screw	105	Main alloy pipe
23	Bearing 6900-2RS	65	Stator	106	Switch
24	cross recessed pan head screw M4X20	66	Sound tension spring	107	Speed button
25	Spring washer 4	67	Cover	108	Speed controller
26	Washer4	68	Cross recessed pan head screw M4X25	109	Capacitor 2X0.33µF
27	Big front cover	69	Plastic pressure block	110	Inner main cable
28	Paper pad	70	Rear motor cover	111	Left main handle
29	Gear	71	Inductor	112	Limit button
30	Shaft circlip10	72	carbon brush holder	113	Cable pressing plate
31	Bearing 606-2Z	73	carbon brush 6X9X12	114	Cable sleeve
32	Semicircular key 3X10	74	brush holder cover	115	Main cable
33	Gear shaft	75	Blind Rivets 5X8	116	Left rear handle
34	cross recessed pan head screw M4X12	76	Rear folding joint	117	Foam padØ35XØ45X2
35	Small front cover	77	Cross recessed pan head screw M5X8	118	Hose assemblies
36	Bearing 6001-2RS	78	Screw sleeve	119	Hex wrench
37	Hole circlip 28	79	Torsion spring	120	Sanding paper
38	Big bevel gear	80	Round pinØ4X30	121	Connector 2
39	Shaft circlip 12	81	Cable retainer	122	Connector 3
40	Bearing 6000-2RS	82	Rear folding joint block	123	Dust bag
41	Gear box	83	Round pinØ5X45	124	Pocket folder