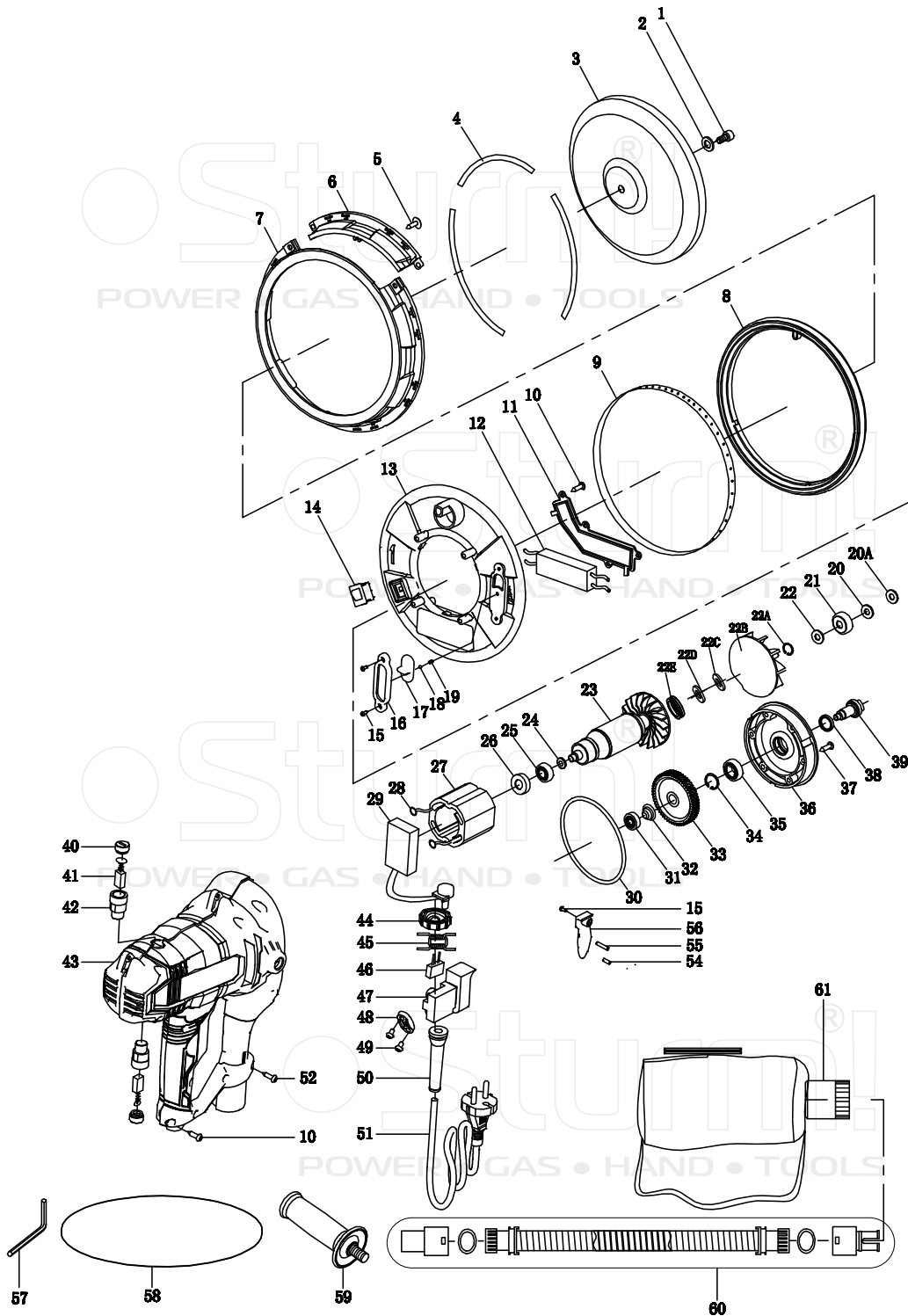


# DWS6075SLM



| NO. | DESCRIPTION                | NO. | DESCRIPTION                   |
|-----|----------------------------|-----|-------------------------------|
| 1   | SCREW M6×16                | 28  | CONDUCTING RING 2.8           |
| 2   | WASHER Φ6                  | 29  | VARIABLE SPEED SWITCH         |
| 3   | SANDING PAD Φ180           | 30  | PAPER WASHER Φ80×Φ85×0.5      |
| 4   | PROTECTION PIECE           | 31  | BEARING 606-2Z                |
| 5   | SCREW ST3.9×12             | 32  | SPRING Φ1                     |
| 6   | SIDE SEGMENT PA6+GF30%     | 33  | BIG GEAR 40CR                 |
| 7   | BIG GUARD PA6+GF30%        | 34  | CIRCLIP Φ26                   |
| 8   | LED LIGHT COVER            | 35  | BEARING 6000-2RS              |
| 9   | LED LIGHT 550MM            | 36  | GEAR BOX ADC12                |
| 10  | SCREW ST3.9×10             | 37  | TAPPING SCREW ST3.9×18        |
| 11  | LED LIGHT DRIVER COVER ABS | 38  | SEAL RING 18×24×3             |
| 12  | LED LIGHT DRIVER           | 39  | SPINDLE 45#                   |
| 13  | SANDING PAD COVER ABS      | 40  | BRUSH COVER M10               |
| 14  | LED SWITCH                 | 41  | CARBON BRUSH 6X9X12.5         |
| 15  | SCREW ST3×10               | 42  | BRUSH HOLDER 6X9              |
| 16  | PRESS BOARD ABS            | 43  | HOUSING PA6+GF30%             |
| 17  | PUSH BLOCK ABS             | 44  | VARIABLE SPEED KNOB PA6+GF30% |
| 18  | STEEL BALL Φ3              | 45  | INDUCTOR 24                   |
| 19  | SPRING Φ2.5XΦ0.4X9.5       | 46  | CAPACITOR 2×0.33UF            |
| 20  | WOOL RING Φ9×Φ20×2         | 47  | SWITCH FA1-6C-1108            |
| 20A | WASHER Φ9.5×Φ20×1          | 48  | CABLE CLAMP PA6+GF30%         |
| 21  | WASHER 608-2RS             | 49  | TAPPING SCREW ST3.9×14        |
| 22  | SEAL RING Φ10×Φ20×5        | 50  | CABLE SLEEVE                  |
| 22A | CRICLIP Φ12                | 51  | CABLE 2X0.75X3.5              |
| 22B | FAN                        | 52  | TAPPING SCREW ST3.9×16        |
| 22C | WOOL RING Φ12XΦ22X1        | 54  | RUBBER PIN 4×10               |
| 22D | WOOL RING Φ12XΦ20X0.5      | 55  | PIN Φ3×14                     |
| 22E | ANTI-DUST RING             | 56  | WIND GUIDE ABS                |
| 23  | ROTOR                      | 57  | ALLEN KEY 5MM                 |
| 24  | WASHER Φ7.2XΦ12X1          | 58  | SANDER PAPER Φ180             |
| 25  | BIG 607-2RS                | 59  | SIDE HANDLE M10               |
| 26  | BEARING BUSH Φ19           | 60  | SOFT TUBE                     |
| 27  | STATOR Φ56X45              | 61  | DUST BAG                      |

UK-ST20201010

POWER GAS HAND TOOLS