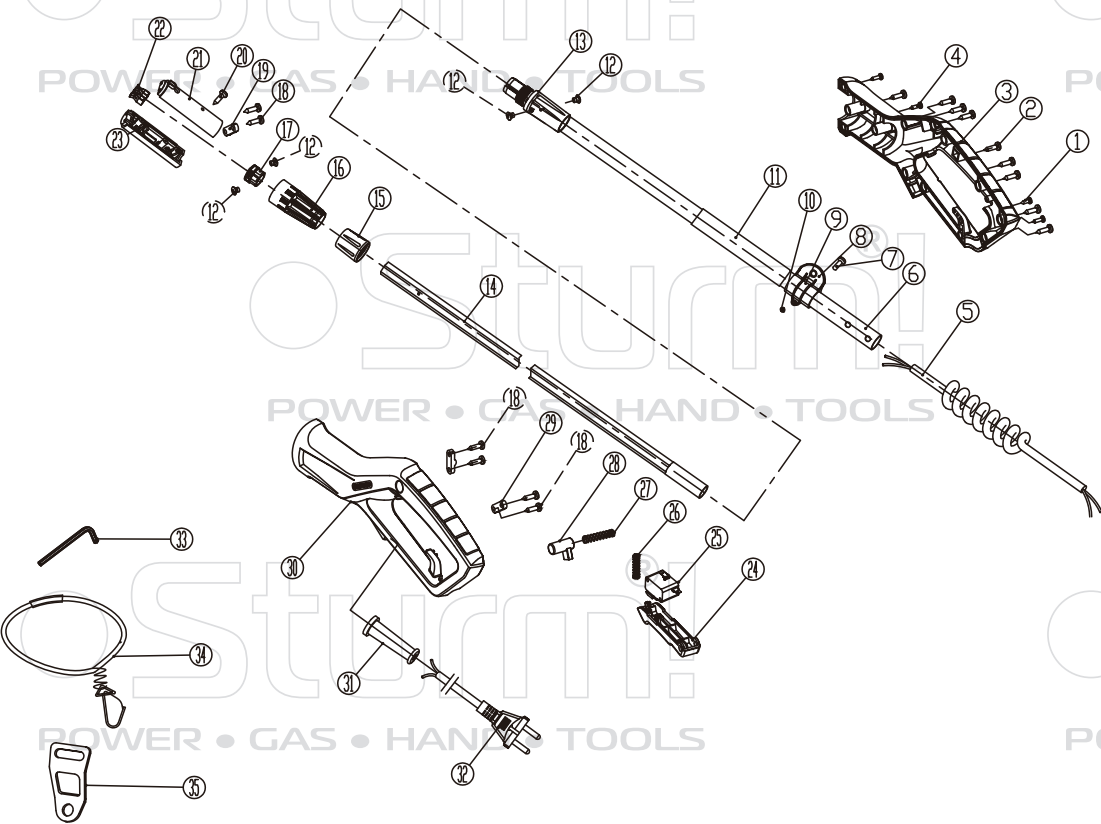
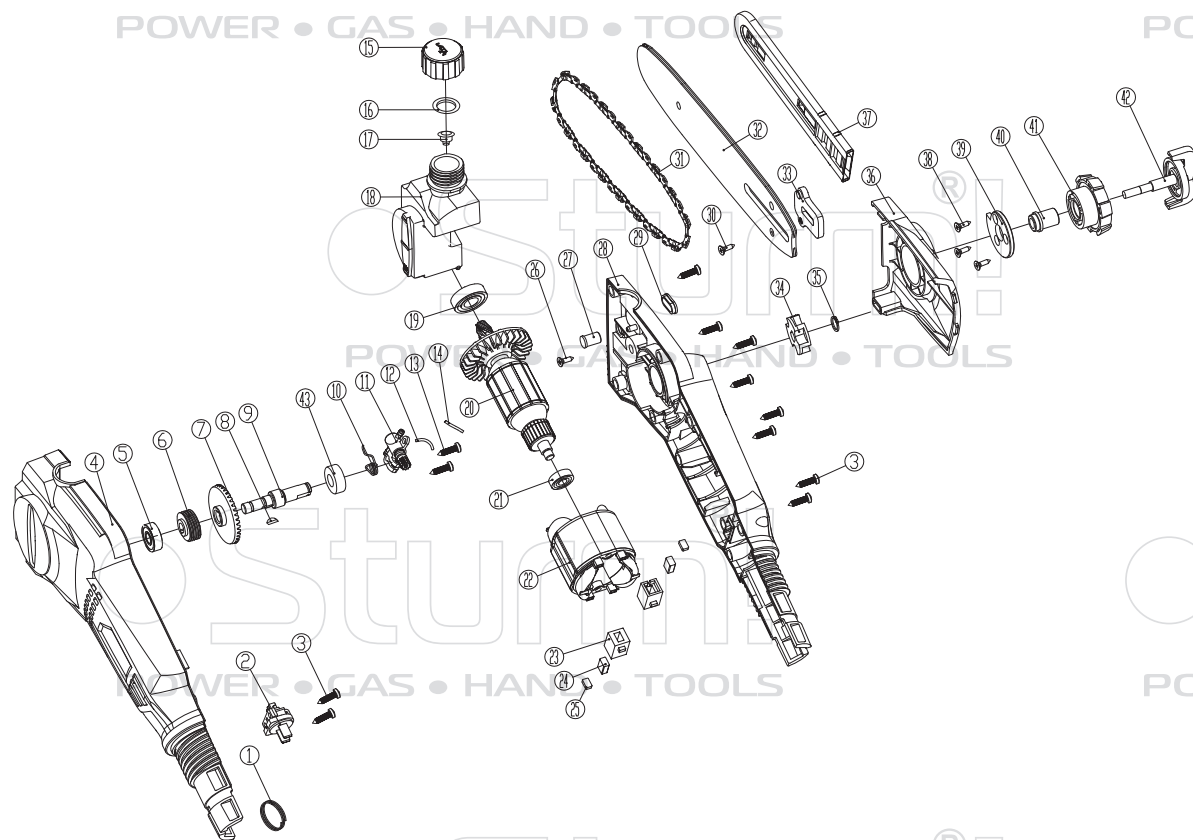


EP3580 handle



NO.	DESCRIPTION	NO.	DESCRIPTION
1	SCREW ST3*8	31	CABLE SLEEVE
2	SCREW ST4X16	32	CABLE
3	RIGHT HANDLE	33	SPANNER
4	SCREW ST3*12	34	BELT
5	SPRING LINE	35	CABLE HANGER
6	FIBER PIPE		
7	SCREW M5X14		
8	BELT FIXING RING		
9	HANGER		
10	NUT M5		
11	SPONGE		
12	RIVET		
13	CONNECTOR		
14	ALUMINUM PIPE		
15	THREAD LOCK SLEEVE		
16	LOCK SLEEVE		
17	LOCATION SLEEVE		
18	SCREW ST4 X 12		
19	TENSION DISC		
20	SCREW /ST3 X 16		
21	LEFT FIX BODY		
22	CONNECTING PLATE		
23	RIGHT FIX BODY		
24	TRIGGLE		
25	SWITCH		
26	TRIGGLE SPRING		
27	KNOB SPRING		
28	SELF LOCK KNOB		
29	TENSION DISC		
30	LEFT HANDLE		



EP3580 MOTOR

NO.	DESCRIPTION	NO.	DESCRIPTION
1	SPRING	31	SAW CHAIN
2	PLUG	32	GUIDE BAR
3	SCREW ST4X16	33	ADJUSTING PLATE
4	LEFT HOUSING	34	SPROCKET
5	BEARING 608	35	RETAINER RING $\Phi 10$
6	GEAR WORM	36	SPROCKET COVER
7	BIG GEAR	37	BAR COVER
8	KEY	38	SCREWS 4*14
9	OUTPUT SHAFT	39	CAM
10	OIL PUMP TORSION SPRING	40	ADJUSTING SLEEVE
11	OIL PUMP	41	ADJUSTING KNOB
12	OIL OUT PIPE	42	LOCK KNOB
13	OIL PUMP SCREW	43	BEARING 6900
14	INLET PIPE		
15	OIL TANK COVER		
16	OIL TANK WASHER		
17	BREATHER		
18	OIL TANK		
19	BEARING 6001		
20	ROTOR		
21	BEARING 607		
22	STATOR		
23	BRUSH HOLDER		
24	CARBON BRUSH		
25	BRUSH COVER		
26	SCREWS 3*8		
27	LOCATION PIN		
28	RIGHT HOUSING		
29	SEAL RING		
30	SCREW		

UKW-ST-20210914