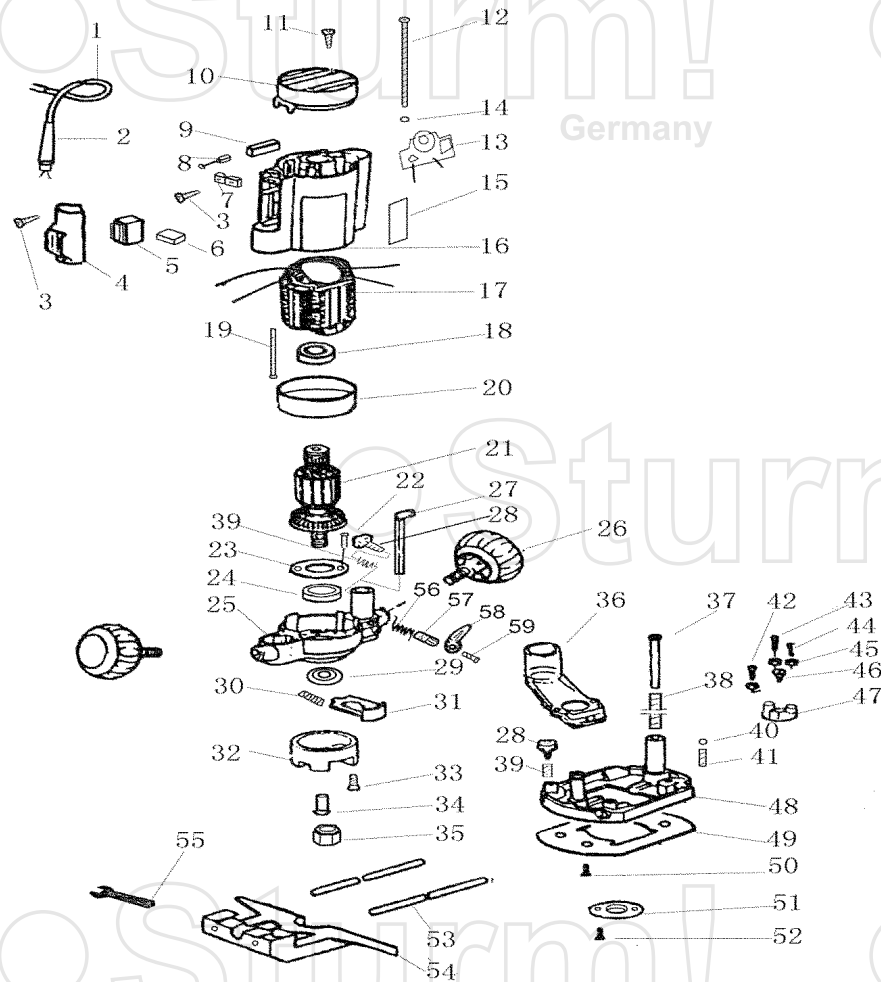


ER1110



| NO. | DESCRIPTION | NO. | DESCRIPTION |
|-----|------------------------|-----|----------------------|
| 1 | CABLE | 31 | SELF-LOCK BLOCK |
| 2 | CABLE JACKET | 32 | FORE COVER |
| 3 | TAPPING SCREW | 33 | SCREW |
| 4 | SWITCH COVER | 34 | COLLET |
| 5 | SWITCH | 35 | COLLET NUT |
| 6 | CAPACITANCE | 36 | DUST EXHAUSTOR |
| 7 | CABLE CLAMP | 37 | GUIDING POLE |
| 8 | CARBON BRUSH | 38 | SUPPORT SPRING |
| 9 | BRUSH HOLDER | 39 | SPRING |
| 10 | BACK COVER | 40 | STEEL BALL |
| 11 | TAPPING SCREW | 41 | SPRING |
| 12 | SCREW | 42 | SCREW |
| 13 | VARIABLE SPEED CIRCUIT | 43 | SCREW |
| 14 | SPRING WASHER | 44 | SCREW |
| 15 | LABLE | 45 | NUT |
| 16 | HOUSING | 46 | SUPPORT SCREW |
| 17 | STATOR | 47 | RULER SUPPORTER |
| 18 | BEARING | 48 | BASE |
| 19 | TAPPING SCREW | 49 | BASE COVER |
| 20 | WIND GUARD | 50 | SCREW |
| 21 | ROTOR | 51 | PROFILE GAUGE |
| 22 | SCREW | 52 | SCREW |
| 23 | BEARING COVER | 53 | GUIDING POLE |
| 24 | BEARING | 54 | SLIDING LINEAR RACK |
| 25 | GEAR BOX | 55 | WRENCH |
| 26 | HANDLE | 56 | TORSIONAL SPRING |
| 27 | RULER | 57 | LOCKING COPPER SCREW |
| 28 | LOCKING SCREW | 58 | KNOB |
| 29 | RETAINER NUT | 59 | SCREW |
| 30 | SPRING | | |

RU5110501