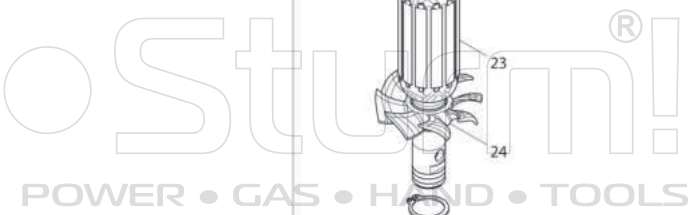
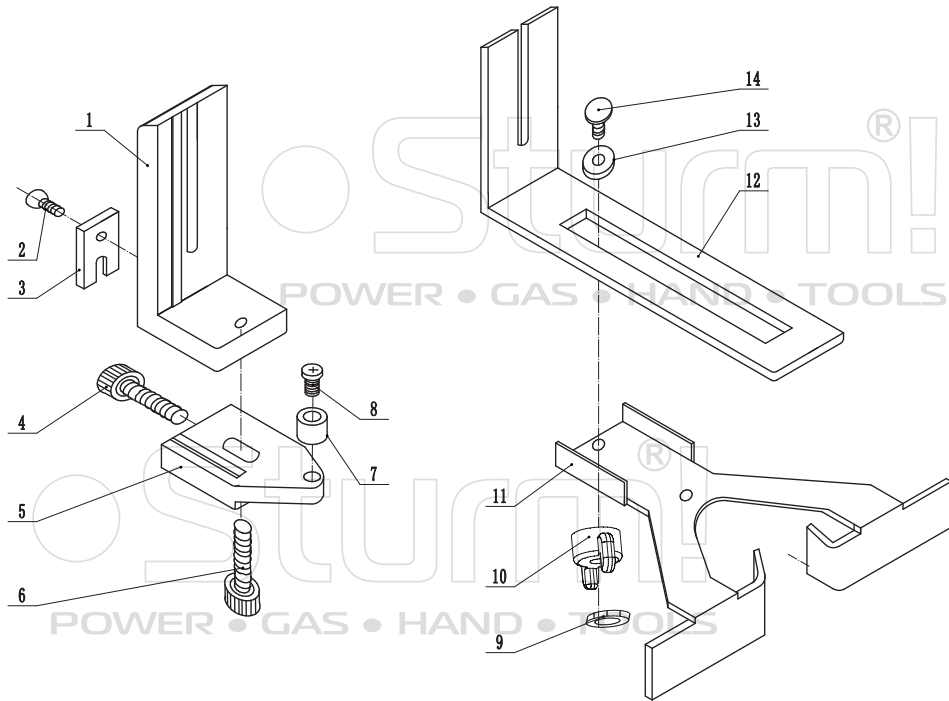


ER1198B

NO.	DESCRIPTION	NO.	DESCRIPTION
1	TOP COVER COMPLETE	27	BEARING SLEEVE
2	NAME PLATE	28	OUTER HOUSING COMPLETE
3	CONTRLLER	29	TAPPING SCREW 4X40
4	TAPPING SCREW 4X18	30	PUSH BUTTON
5	STRAIN RELIEF	31	COMPRESSION SPRING 7
6	TERMINAL BLOCK 2P	32	PIN 4
7	POWER SUPPLY CORD	33	COLLET CONE
8	CORD GUARD 8-85	34	COLLET NUT
10	MOTOR HOUSING	35	SCREW M6X25
11	BRUSH HOLDER CAP 5-8	36	SPRING WASHER 6
12	CARBON BRUSH	37	PLAT WASHER 6
13	BRUSH HOLDER 6X9	38	TRIMMER BASE COMPLETE
14	SWITCH	39	FLAT WASHER 6
15	STATOR ASSEMBLY	40	SCREW M5X35
16	TAPPING SCREW 4X65	41	SPUR GEAR 16
20	WAVE WASHER 6	42	CAM PLATE
21	BEARING 627	43	LOCK LEVER COMPLETE
22	RESIN WASHER	44	RUBBER CAP
23	ARMATURE ASS'Y	46	HEX LOCK NUT M5-8
24	FAN 55	47	BASE PROTECTOR
25	RETAINING RING 5-17	48	COUNTERSUNK HEAD SCREW M
26	BEARING 6003		

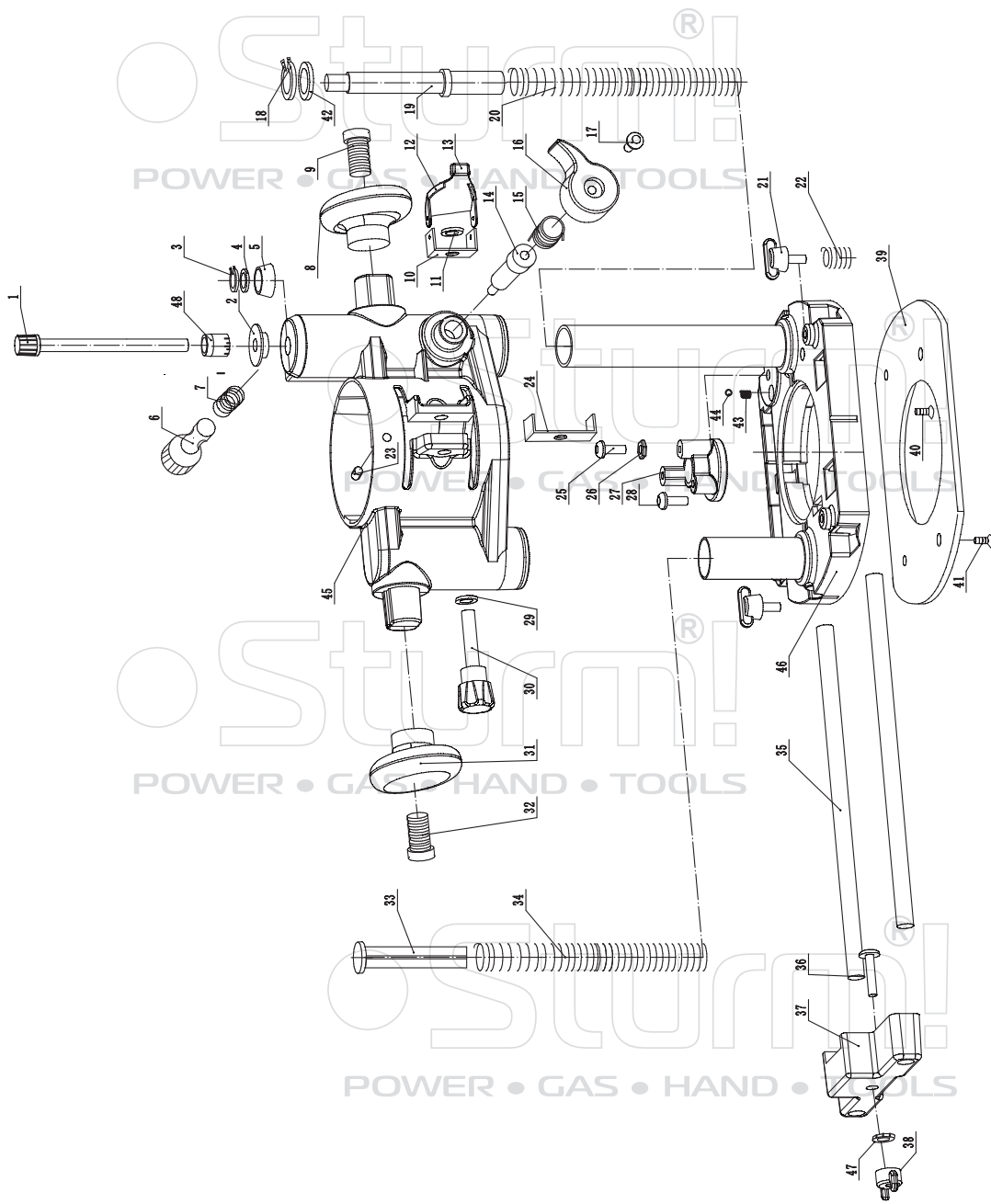
UK-ST20180904





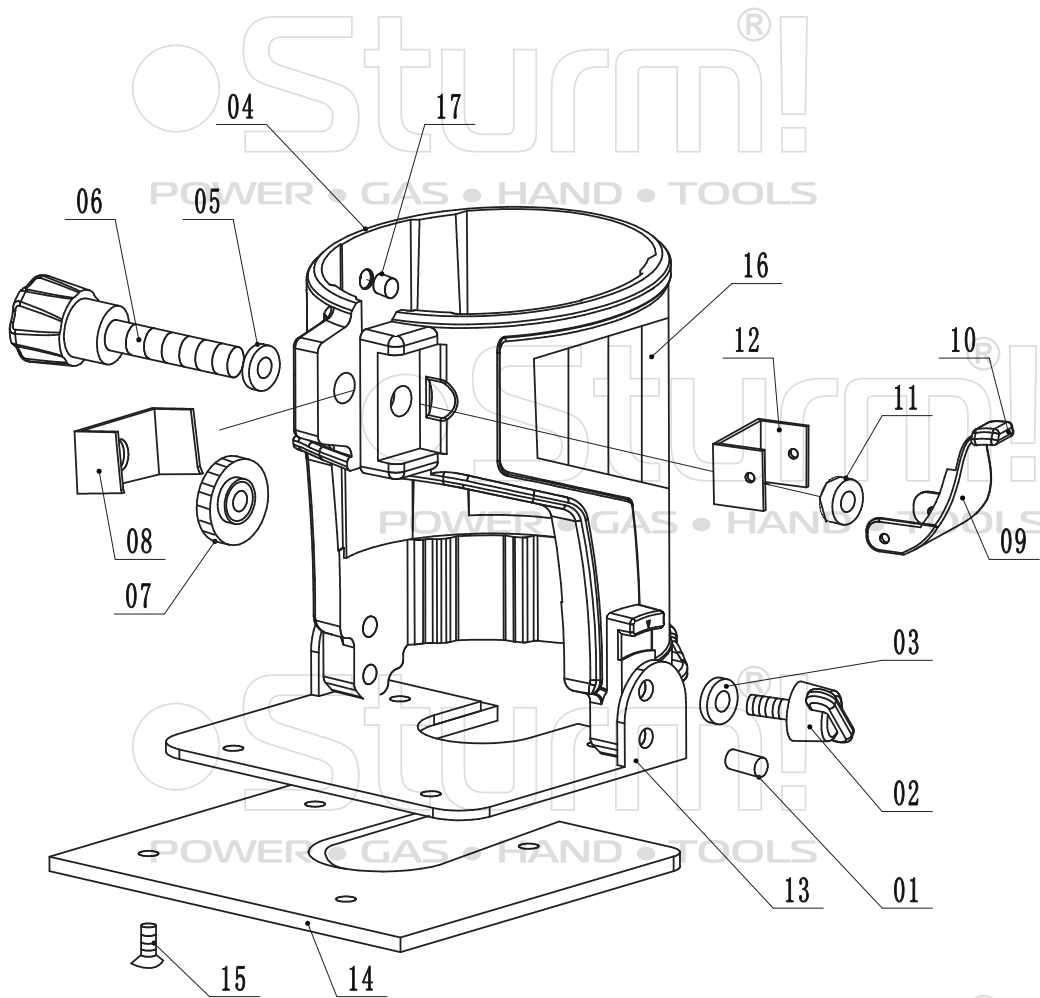
NO.	DESCRIPTION
1	GUIDE SE AT
2	FLAT BASE SCREW
3	SNAP-GAUGE
4	ADJUST LIMIT SCREW
5	TRIMMER GUIDE
6	PLASTIC HANDLE SCREW
7	GUIDE WHEEL
8	FLAT BASIC SHAFT SHOULDER SCREW
9	NUT
10	BUTTERFLY NUT SE AT
11	TRIANGLE GUIDE
12	RECTANGULAR GUIDE
13	RECTANGULAR GUIDE
14	ROUND HEAD MILLING SCREW

UK-ST20180904



Plunge base of ER1198B

NO.	DESCRIPTION	NO.	DESCRIPTION
01	AIRFOIL SCREW	25	SCREW
02	RING	26	NUT
03	JUMP RING	27	STOPPED PARTS
04	FLAT WASHER	28	FLAT HEAD SCREW
05	RUBBER BLANKET	29	FLAT WASHER
06	ADJUST SCREW NUT	30	PLASTIC HANDLE SCREW
07	PRESSURE SPRING	31	HANDLE(LEFT)
08	HANDLE (R=IGHT)	32	SCREW
09	SCREW	33	LOCK LEVER
10	CAM SEAT 1	34	JUMP RING
11	LOCK NUT	35	EXTENSION ROD
12	LOCK LEVER ASSY'	36	SCREW
13	RUBBER CAP	37	EXTENSION SUPPORT
14	SET BOLT	38	SPECIAL-SHAPED SCREWS SEATS
15	TORSIONAL SPRING	39	BASE BOARD
16	LOCK LEVER	40	FLAT BASE SCREW
17	SCREW	41	SCREW
18	JUMP RING	42	FLAT WASHER
19	SCREW	43	JUMP RING
20	JUMP RING	44	STEEL BALL
21	SPECIAL-SHAPED SCREWS	45	FIXED SEAT
22	JUMP RING	46	BASE
23	PIN	47	NUT
24	CAM SEAT 2	48	DIAL INDICATOR PANEL



Tilt base of ER1198B

NO.	DESCRIPTION
01	HINGE PIN
02	AIRFOIL SCREW
03	FLAT WASHER
04	MOVABLE GUARD
05	FLAT WASHER
06	PLASTIC HANDLE SCREW
07	STRAIGHT GEAR 16
08	CAM SEAT 1
09	LOCK LEVER ASSY'
10	RUBBER CAP
11	LOCK NUT
12	CAM SEAT 2
13	STEEL BASE
14	PLASTIC BASE
15	FLAT BASE SCREW
16	SOFT LEATHER
17	HINGE PIN

UK-ST20180904