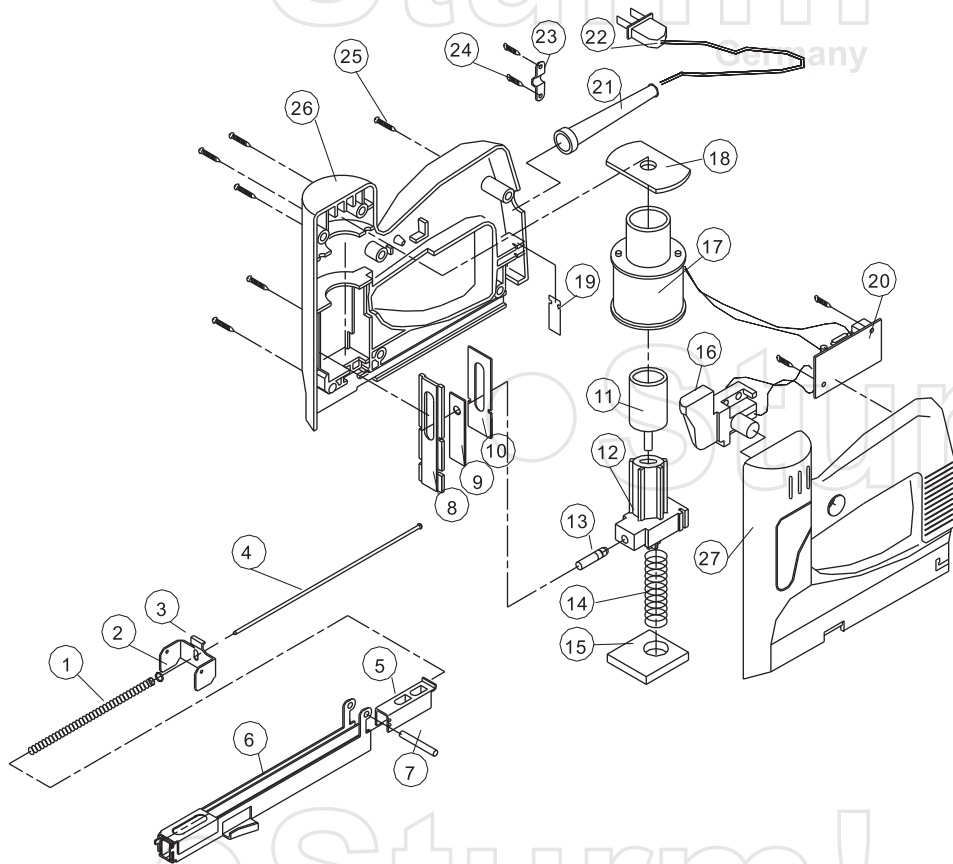


ET4514



| NO. | DESCRIPTION |
|-----|-------------------------|
| 1 | SPRING |
| 2 | NUT |
| 3 | BACK PLATE |
| 4 | COLUMN |
| 5 | TOP PLATE |
| 6 | NAIL-RAIL |
| 7 | SMALL COLUMN |
| 8 | TOP COVER PLATE |
| 9 | NAIL-MAKING PLATE |
| 10 | BOTTOM COVER PLATE |
| 11 | IRON CORD OF MOTOR |
| 12 | QUILL |
| 13 | SPRING |
| 14 | RACK |
| 15 | IMPACT NUT |
| 16 | SWITCH |
| 17 | LOOP |
| 18 | TOP RUG |
| 19 | RACK |
| 20 | WIRE PLATE |
| 21 | PROTECTED COVER OF CORD |
| 22 | ELECTRIC CORD & PLUG |
| 23 | PLATE OF COVERING CORD |
| 24 | BIG SCREW |
| 25 | SMALL SCREW |
| 26 | TOP OF COVER |
| 27 | BOTTOM OF COVER |

RU59501