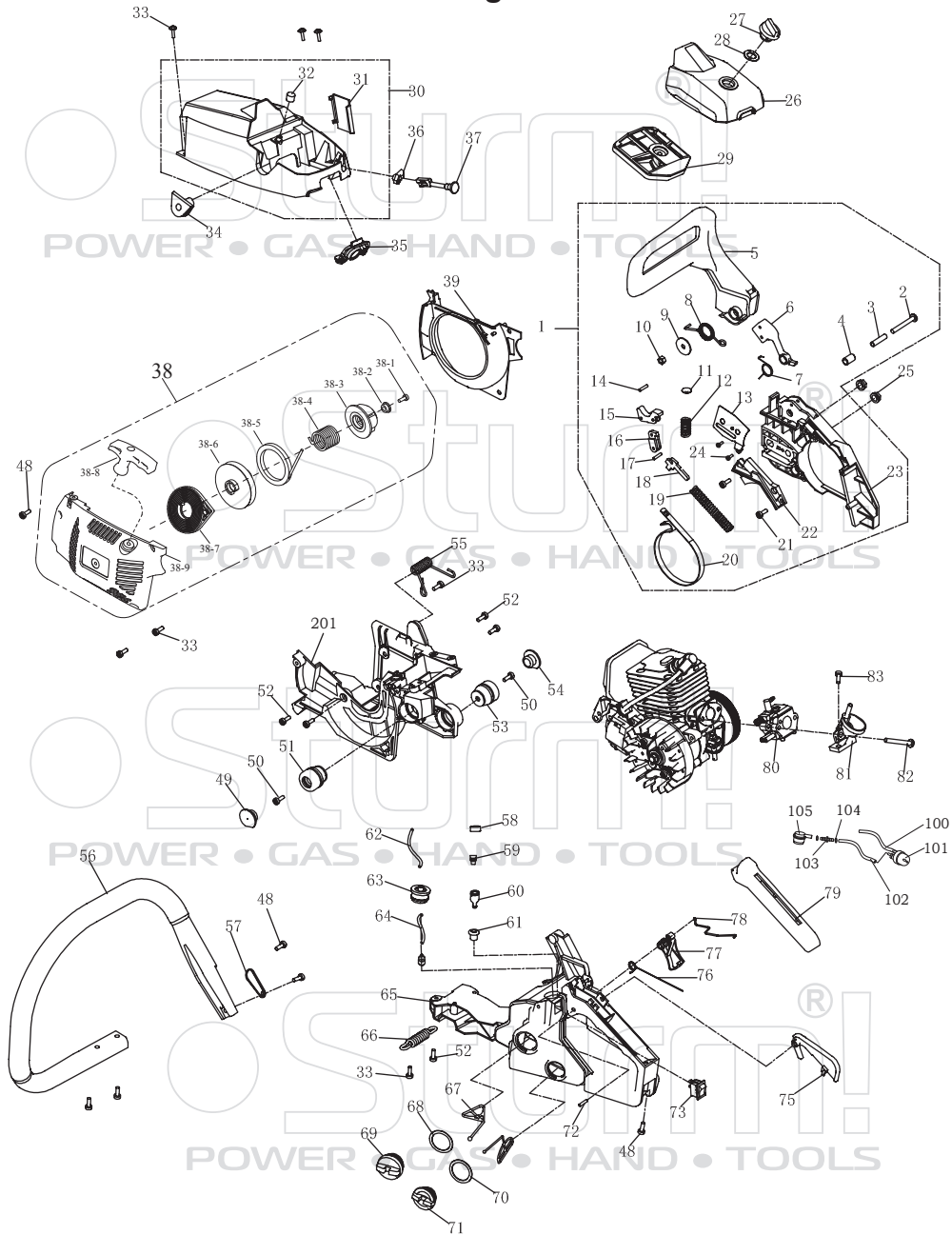


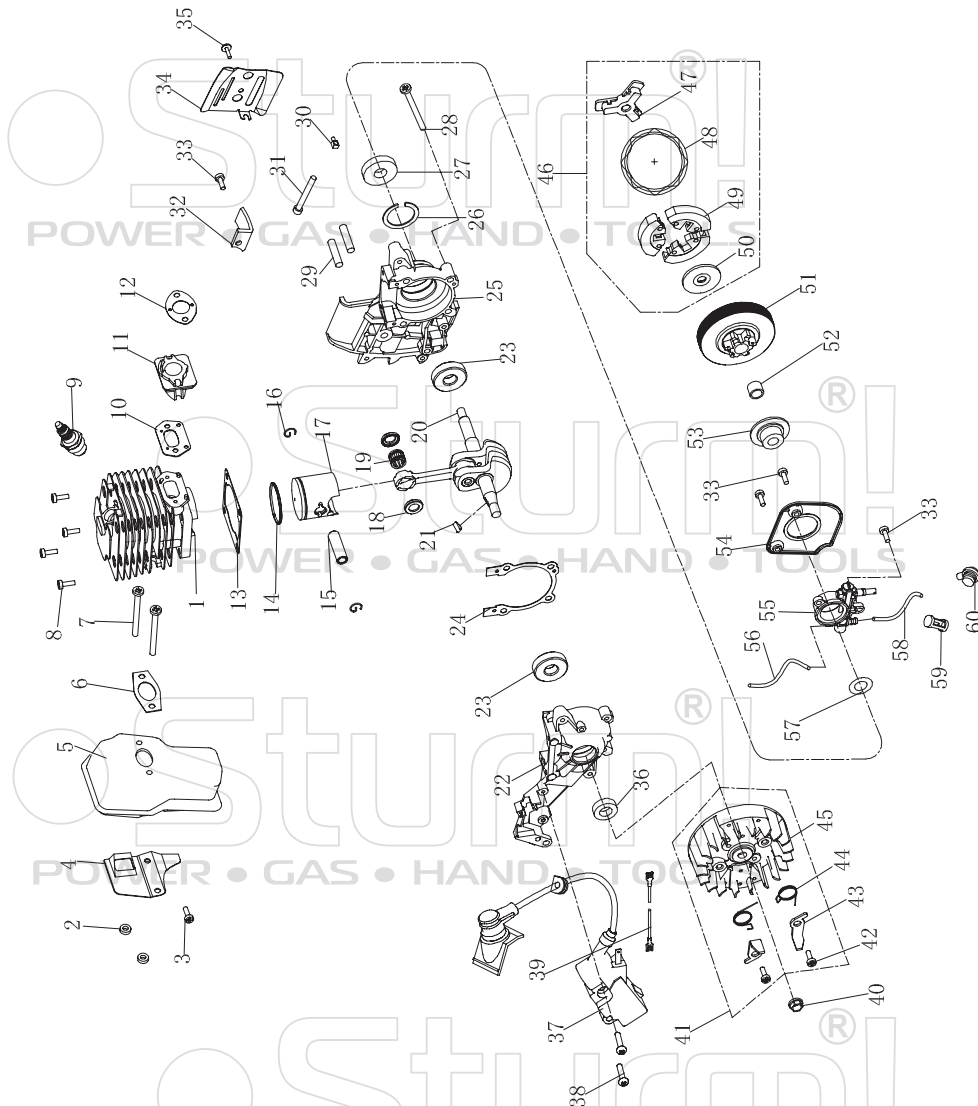
Fig. 1



GC9937B

NO.	DESCRIPTION	NO.	DESCRIPTION
1	RIGHT COVER ASSEMBLY	38-8	START HANDLE
2	SCREW	38-9	START COVER
3	PIN GLAND	39	BOSSING
4	HEAVY BROCK GLAND	48	TAPPING SCREW
5	FRONT DAMPER	49	DUST COVER 1
6	HEAVY BLOCK	50	TAPPING SCREW
7	HEAVY BLOCK SPRING	51	CUSHION SOCKET 1
8	BRAKE TORSION ROD SPRING	52	SCREW
9	WASHER	53	CUSHION SOCKET 2
10	LOCK- NUT M5	54	DUST COVER 2
11	SPRING BASE	55	FRONT HANDLE SPRING
12	FRONT GUARD SPRING	56	FRONT HANDLE
13	TENSIONER COVER PLATE	57	TORSION ROD SPRING COVER PLATE
14	PIN	58	BALANCER COVER
15	MAIN LEVEL	59	BALANCER RUBBER
16	SECONDARY PULL-ROD	60	BALANCER BODY
17	PIN	61	BALANCER ROOT
18	BREAK CONTROL ROD	62	FUEL TUBE
19	BRAKE SPRING	63	TUBE ROOT
20	BREAK STRAP	64	PETROL FILTER COMPONENTS
21	TAPPING SCREW	65	BASE
22	BREAK SPRING COVER PLATE	66	BASE SPRING
23	RIGHT COVER	67	ANTI-DROP PLATE
24	TAPPING SCREW	68	PACKING WASHER
25	NUT M8	69	PETROL COVER
26	AIR FILTER COVER	70	PACKING WASHER
27	AIR FILTER LOCK NUT	71	OIL COVER
28	LOCK NUT WASHER	72	PIN
29	AIR FILTER	73	EXTINCTION SWITCH
30	UPPER COVER PLATE	75	TRIGGER CONTROL RACK
31	ANTI-FREEZE BLOCK	76	TRIGGER TORSION ROD SPRING
32	SHOCK BLOCK	77	TRIGGER
33	TAPPING SCREW	78	THROTTLE ROD
34	IDLE ADJUSTING GUIDE SET	79	HANDLE COVER
35	DUST SHIELD	80	CARBURETOR
36	THROTTLE LEVER RETAINING BRACKET	81	AIR INTAKE SOCKET
37	THROTTLE ROD	82	CARBURETOR SCREW
38	START ASSEMBLY	83	AIR INTAKE SOCKET SCREW
38-1	TAPPING SCREW ST4.8×13	100	PUMP TUBE
38-2	BUSH	101	PRIMER BULB
38-3	RATCHET WHEEL	102	SCAVENGE TUBE
38-4	TORSION SPRING	103	OIL TUBE TIE-IN
38-5	START STRETCHING WIRE3×920	104	OIL TUBE CLIP
38-6	START PLATE	105	SCAVENGE NOZZLE
38-7	START COIL-SPRING	201	ENGINE BASE

Fig. 2



ENGINE FOR GC9937B

NO.	DESCRIPTION	NO.	DESCRIPTION
1	CYLINDER BODY	31	ADJUST SCREW
2	NUT	32	CHAIN CATCHER
3	SCREW	33	CHAIN CATCHER SCREW
4	SILENCER COVER PLATE	34	DAMPER
5	SILENCER BODY	35	SCREW
6	SILENCER SEALING PLATE	36	OIL SEAL
7	MUFFLER CONNECTING SCREW	37	IGNITER
8	SCREW	38	SCREW
9	SPARK PLUG NHSP LD L8RTF	39	EXTINCTION CONDUCTOR
10	AIR INTAKE TUBE SEALING PLATE	40	NUT
11	AIR INTAKE TUBE	41	FLYWHEEL ASSEMBLY
12	CARBURETOR SEALING PLATE	42	PUSHER DOG SCREW
13	CYLINDER SEALING PLATE	43	PUSHER DOG
14	PISTON RING	44	TORSION ROD SPRING
15	PISTON PIN	45	FLYWHEEL
16	PISTON PIN CIRCLIP	46	CLUTCH ASSEMBLY
17	PISTON	47	RETAINTER
18	NEEDLE BEARING RING	48	CLUTCH EXTENSION SPRING
19	NEEDLE BEARING	49	SHOE BLOCK
20	CRANK SHAFT COMPONENTS	50	CLUTCH ADJUSTING WASHER
21	SEMICIRCULAR KEY	51	CLUTCH SHELL
22	LEFT CRANK CASE	52	NEEDLE BEARING
23	BEARING 6201	53	WORM
24	CASE BODY SEALING PLATE	54	COVER PLATE
25	RIGHT CRANK CASE	55	OIL PUMP
26	SHIELD RING	56	OIL OUTGOING TUBE
27	OIL SEAL	57	WORM WASHER
28	SCREW	58	OIL INGOING TUBE
29	DOUBLE-SCREW BOLT	59	OIL FILTER SCREEN
30	TENSION BLOCK	60	NOZZLE

ST20121008-03