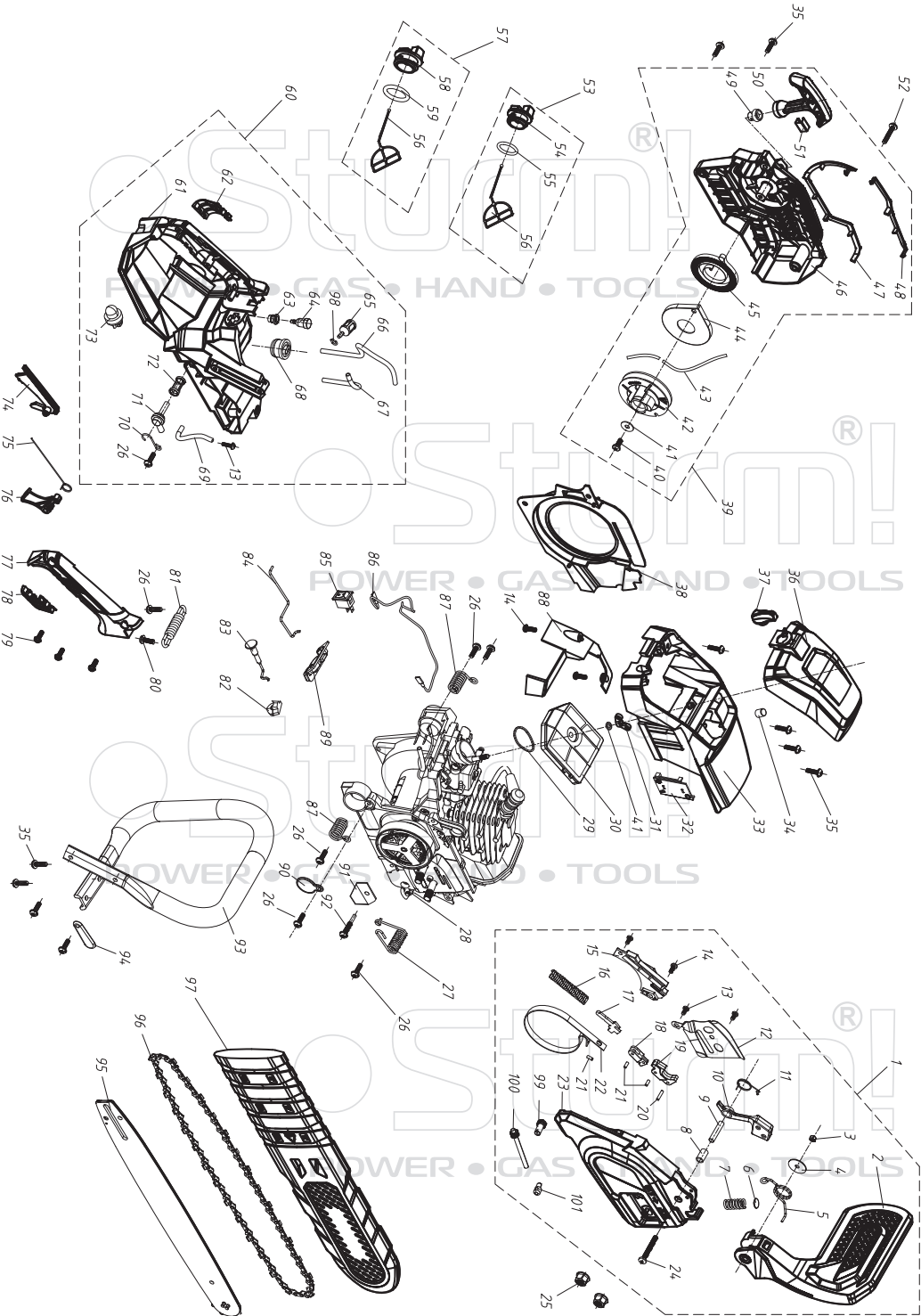


GC9939



No.	Description	No.	Description
1	Brake Assy	52	Screw ST5X20
2	Brake Conductor	53	Fuel oil cap assembly
3	Nut M5	54	Fuel oil Cap
4	Washer 5X23X1.2	55	Rubber Washer 22X4
5	Spring	56	CE Line
6	AV Spring Plate	57	Machine oil cap assembly
7	AV Spring 2X10X26	58	Machine oil cap
8	Pin	59	Rubber Washer 20X3.5
9	Pin	60	Oilcan assembly
10	Brake Balance weight	61	Oilcan
11	Spring	62	Oilcan decorative cover
12	Tensioner Cover	63	Valve Mount
13	Screw ST4X8	64	Filter Valve
14	Screw ST4X10	65	Filter
15	Brake Spring cover	66	Fuel Pipe 5x205
16	Brake Spring 2X9X71	67	scavenge pipe
17	Brake Knee	68	Fuel Pipe Mount
18	Knee Link Back	69	Rubber Pipe 5X65
19	Brake Knee link Front	70	Oil Filter Mount bead flange
20	Pin Ø3X14	71	Oil Filter Mount
21	Pin Ø3X8.8	72	Oil Filter
22	Brake Steel	73	Gas Pump
23	Clutch Cover	74	Trigger Catcher
24	Screw M5X40	75	Trigger Spring
25	Nut M8X1.25	76	Trigger
26	Screw ST5X14	77	Rear Handle cover
27	Handle AV Spring	78	Rear Handle decorative cover
28	Chain saw power assembly	79	Screw ST4X12
29	Air Filter Gasket	80	Screw M5X14
30	Air filter	81	Spring
31	Nut M5	82	Choke Rod Mount
32	Stop Wind Plate	83	Choke Rod
33	Top Cover	84	Carburetor Rod
34	Air Filter Anti Vib	85	Switch
35	Screw ST5X16	86	Red wire
36	Air Filter Cover	87	torsional spring
37	Air filter cover Nut	88	Top cover top cover
38	Air Fairing	89	Carburetor scavenge pipe
39	Motor starter assembly	90	torsional spring cover
40	Screw ST5X12	91	Chain Cacher
41	Washer 5x16x1	92	Chain Cacher Screw
42	Pulley	93	Front Handle
43	Start Line 3X900	94	Front Handle Spring Plate
44	Coil spring seat	95	Guide board
45	Coil spring	96	Chain
46	Starter Cover	97	Slipcover
47	Starter decorative left cover		
48	Starter decorative right cover		
49	Sleeve		
50	Starter handle		
51	Starter handle cover		

ENGINE FOR GC9939

No.	Description	No.	Description
1	Nut/M5	33	Screw M5X50
2	Muffler plate	34	AV cover/120
3	Muffler	35	Crank Case Mount
4	Muffler Washer	36	Screw M5X14
5	Muffler srew 5X60	37	Oil Pipe Connector
6	Piston Criclip	38	Oil Pipe/7X80
7	Piston Needle Washer	39	Black wire
8	Piston Pin	40	Hole Circlip
9	Needle Bearing K10X14X11	41	Right Crank Case
10	Crank Shalft	42	Screw M5X30
11	Piston	43	Oil Seal 32X12X5.5
12	Piston Ring	44	Washer 10X18X1
13	Cylinder Gasket	45	Oil Pump
14	Cylinder	46	Oil Pump Filter Sponge
15	Screw M5X20	47	Screw M4X14
16	Spark Plug	48	Oil Pump Cover
17	Ignition module	49	Screw M4X12
18	Screw /M4X14	50	Warm
19	Nut/M8X1	51	Clutch hup
20	Fly wheel	52	Needle Bearing K10X13X13
21	Oil seal 12X22X7	53	Steel Washer
22	Left Crank case	54	Clutch assembly
23	Crank Case Gasket	55	Clutch block
24	Pin ϕ 3X8	56	Clutch spring
25	6201 bearing C grade 12X32X10	57	Clutch bracket
26	Key 3X3.75X10	58	Screw M4X10
27	Intake Inlet Gasket	59	Cover
28	Intake Valve	60	Screw M8X42
29	Car. Gasket	61	Sleeve
30	Carburetor	62	Felling Dog
31	Screw ST5X16	63	Screw M5X12
32	Intake Holder	64	Casting insert

