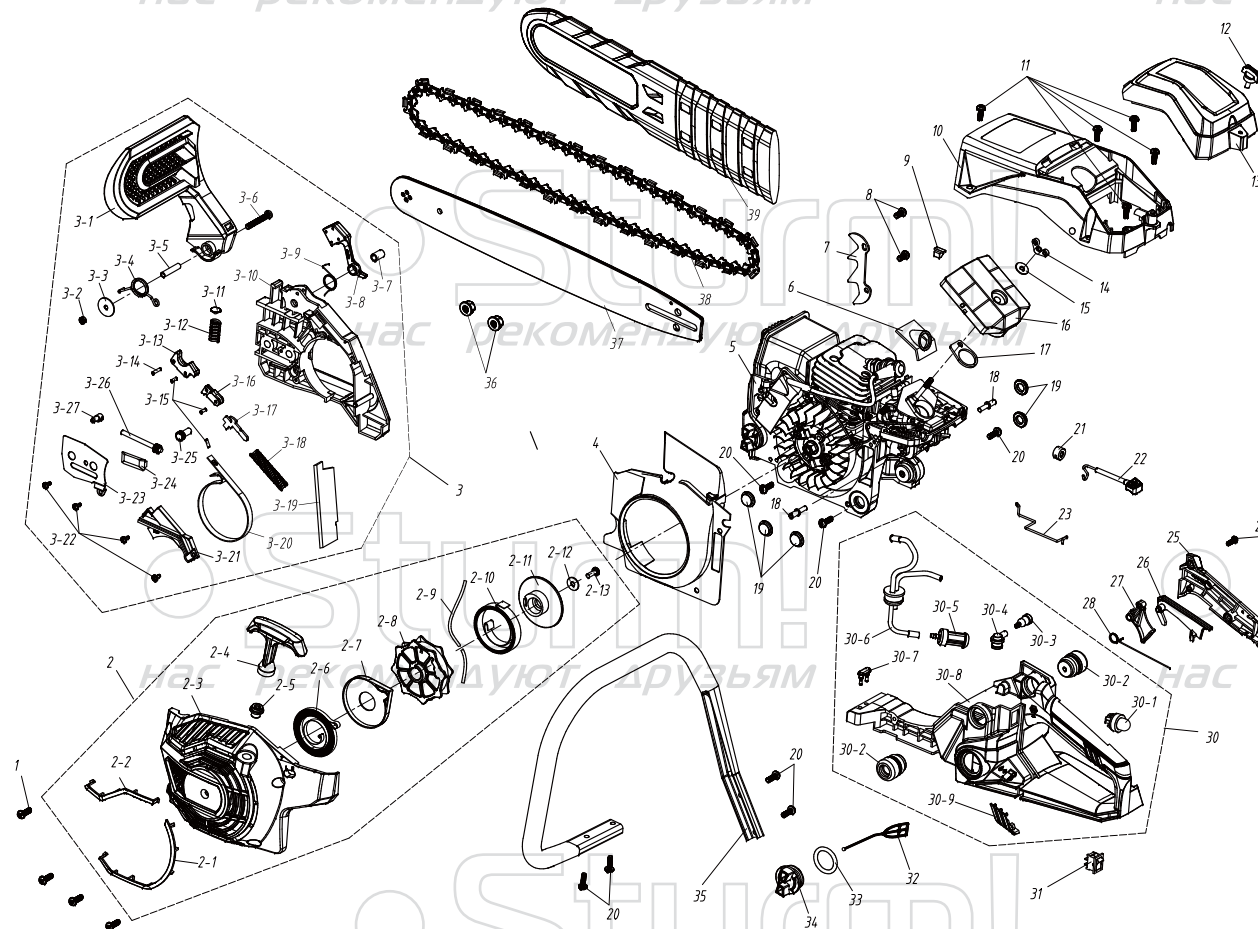
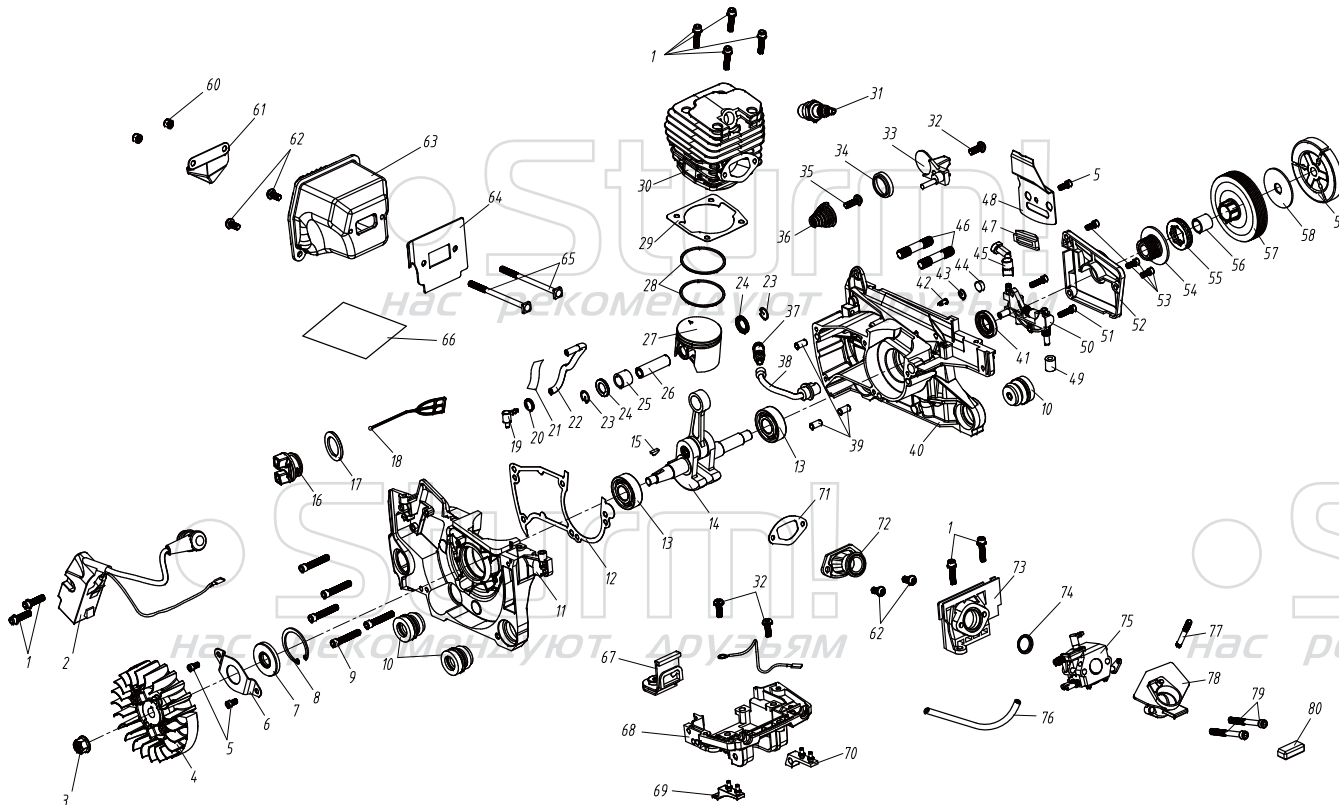


GC994516,GC995218



NO.	DESCRIPTION	NO.	DESCRIPTION
1	Screw\black\M5*16	5	Engine assembly
2	Starter assembly	6	Ignition coil cap
2-1	Starter cover decorative strip	7	Felling dog
2-2	Starter cover decorative strip	8	Screw\M5*12
2-3	Starter cover	9	Choke rod damping
2-4	Starter handle	10	Top cover
2-5	Bakelite	11	Screw\M5*14
2-6	Normal reset the coil spring	12	Air filter knob
2-7	Coil spring seat	13	Air filter cover
2-8	Easy starter Pulley	14	Nut\white\M5
2-9	Line\3*900	15	Flat gasket\5*16*1
2-10	Easy starter reset the coil spring	16	Air filter
2-11	Easy starter pawl	17	Air filter Washer
2-12	Flat gasket\5*15*1.5	18	Screw\M5*15
2-13	Screw\black\ST5*14	19	Dust cover
3	Brake Assembly	20	Screw\ST5*16
3-1	Brake Front baffle	21	Choke rod sheath
3-2	Nut\black\M5	22	Choke rod
3-3	Flat gasket\5*23*1.5	23	Throttle push rod
3-4	Big torsional spring	24	Screw\ST4*12
3-5	Brake Front baffle casing pipe	25	Rear handle cover
3-6	Screw\M5*40	26	Trigger catcher
3-7	Casing pipe	27	Trigger
3-8	Pin	28	Trigger spring
3-9	Torsional spring	29	Rear handle decorative cover
3-10	Brake	30	Fuel tank assembly
3-11	Buffer spring cover	30-1	Gas pump
3-12	Buffer spring	30-2	Fuel tank damping
3-13	Brake knee link front	30-3	Valve
3-14	Pin\3*14	30-4	Valve mount
3-15	Pin\3*8.8	30-5	Filter
3-16	Knee link back	30-6	Fuel pipe assembly
3-17	Brake knee	30-7	Duplex nail damping
3-18	Brake spring	30-8	Fuel tank welding
3-19	Oil baffle\2*34*105mm	30-9	Fuel tank decorative cover
3-20	Brake steel\1mm\290	31	Switch
3-21	Spring cover	32	Anti falling racquet
3-22	Screw\ST4*10	33	O-ring\22*4
3-23	Tensioner cover	34	Fuel tank knob
3-24	Leading chain block	35	Front handle
3-25	Tensioner axis	36	Nut\white\M8*1.25
3-26	Tensioner adjusting stud	37	Bar
3-27	Tensioner adjusting block	38	Chain
4	Air fairing	39	Bar cover

GC994516,GC995218 ENGINE



NO.	DESCRIPTION	NO.	DESCRIPTION
1	Screw\black\M5*20	45	Oil pump outlet pipe
2	Ignition coil \CE	46	Double head stud\M8*42
3	Nut\black\M8*1.0	47	Leading chain block
4	Flywheel	48	Cover
5	Screw\black\M4*8	49	Oil Pump Filter Sponge
6	45\52 oil seal baffle	50	Oil pump
7	Oil seal\15*35*5\propylene	51	Screw \black\M4*16
8	Elastic ring 35	52	Oil Pump Cover
9	Screw\black\M5*30	53	Screw \black\M4*10
10	45\52 Case damping	54	Turbo
11	Chain saw left case	55	Chain wheel\0.325
12	Case gasket	56	Needle bearing\K121514.5
13	6202 deep groove ball bearing\15*35*11	57	Clutch drum\15*68
14	Crankshaft \20CrMo	58	Clutch gasket\10*42*1.5
15	Woodruff key\3*3.75*13	59	Clutch
16	Oil tank cap	60	Lock nut\black\M5
17	Oil tank cap washer	61	Muffler cover
18	Anti falling racquet	62	Screw\black\M5*12
19	Negative pressure nozzle	63	Muffler
20	Snap ring	64	Muffler gasket
21	Insulated pipe(58mm)	65	Screw\M5*85\12.9
22	Negative pressure pipe\black\6*116	66	Silver paper
23	Piston pin clamping spring	67	Dust pad\black
24	Anti-wear gasket	68	Crank case base
25	Needle bearing\K115121.5	69	Left hanger
26	Piston pin\7*11*35.6	70	Right hanger
27	Piston\outside diameter 43	71	Intake pipe gasket
28	Piston ring	72	Intake pipe
29	Cylinder gasket	73	Carburetor holder
30	Cylinder	74	Ring
31	Spark plug	75	Carburetor/with gas pump
32	Screw\M5*14	76	Carburetor oil pipe\2.5*5*115mm
33	Chain catcher	77	Double head stud\M5*38
34	Spring cage	78	Intake elbow
35	Screw\black\ST5*16	79	Screw\M5*50
36	Spring	80	Intake elbow damping
37	Oil filter		
38	Oil pipe		
39	Pin\6*10		
40	Chain saw right case		
41	Oil seal\15*28*5		
42	Air nozzle		
43	Air nozzle clip		
44	Air nozzle filter Sponge		