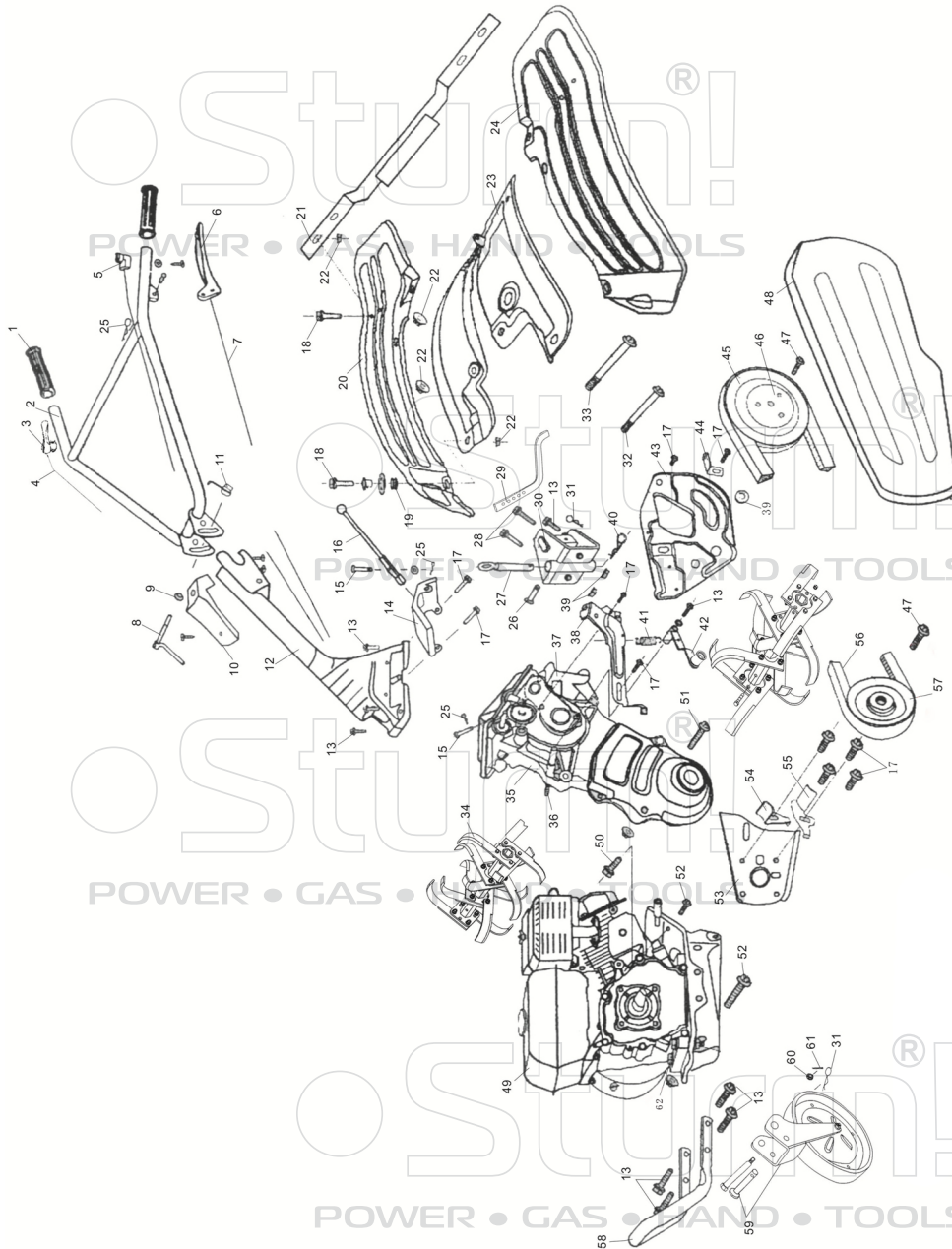
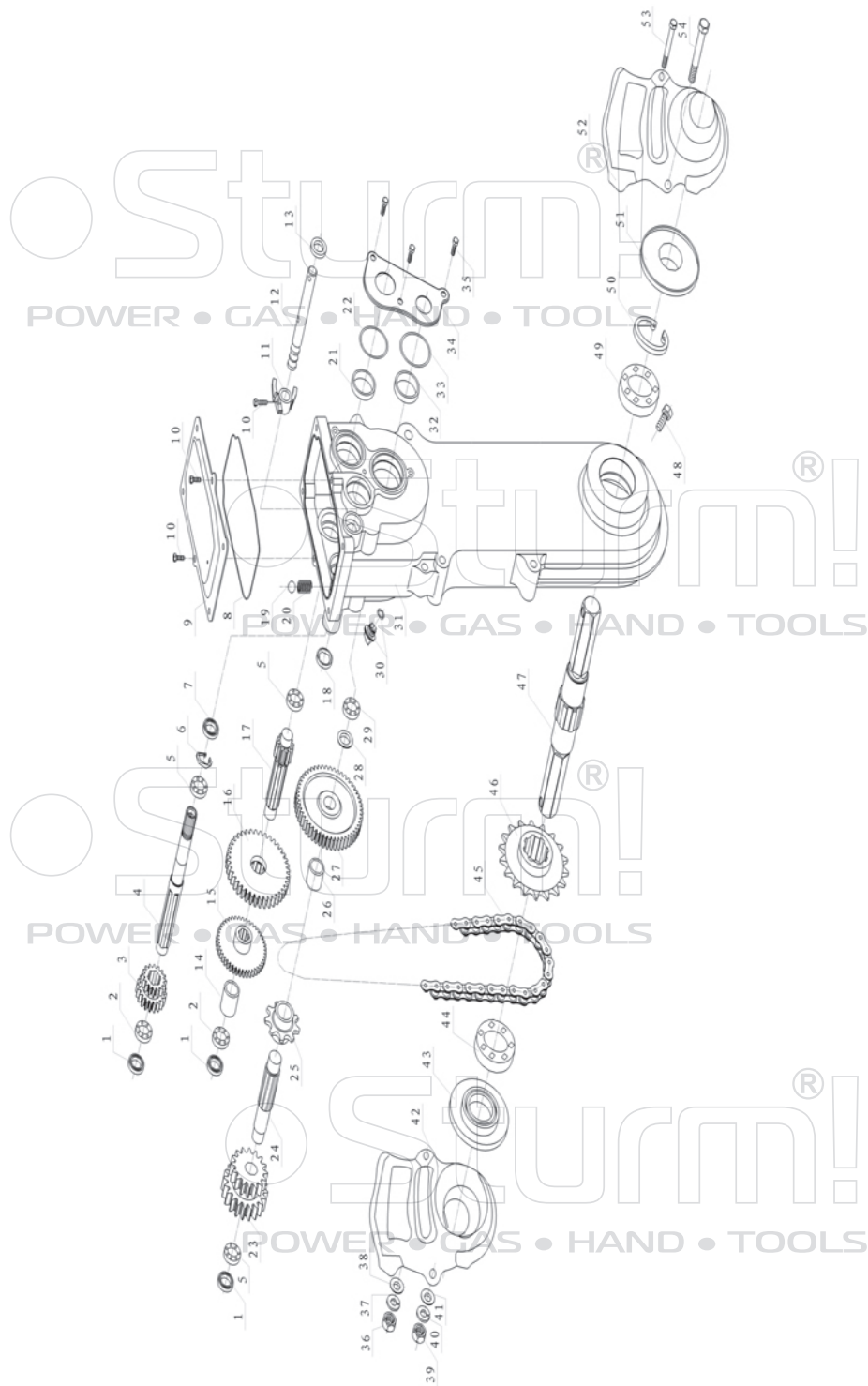


# GK8370



NO.	DESCRIPTION	NO.	DESCRIPTION
1	HANDLEBAR RUBBER	32	HEXAGULAR BOLT M8×65
2	HANDLEBAR ASSY	33	HEXAGULAR BOLT M10×65
3	THROTTLE SWITCH ASSY	34	BLADE ASSY.
4	THROTTLE SWITCH CABLE	35	TRANSMISSION ASSEMBLY
5	POWER SWITCH	36	TENSIONER SUPPORTING SHAFT
6	CLUTCH HANDLE	37	CONNECTING FRAME JOINTING ASSY
7	CLUTCH CABLE	38	TRANSMISSION COVER
8	ADJUSTABLE HANDLE LOCK ASSY	39	HEXAGONAL NUT M8
9	BUSH	40	DISSIMILAR COTTER PINΦ3.0
10	INTAKE COVER ASSY	41	TENSIONER SPRING
11	LOCK STOP BLOCK	42	TENSIONER ASSY
12	HANDLEBAR	43	TRANSMISSION COVER
13	HEXAGULAR BOLT M8×16	44	PULLEY(BELT) COVER UPPER BRAKET
14	GEAR INDICATION	45	DRIVEN WHEEL
15	PIN SHAFT B5*28	46	PULLEY COVER PLATE
16	SHIFT LEVER	47	HEXAGULAR BOLT M8×20
17	HEXAGULAR BOLT M6×12	48	BELT COVER
18	HEXAGULAR BOLT M6×20	49	ENGINE ASSY.
19	I -SHAPE RUBBER	50	HEXAGULAR BOLT M8×60
20	LEFT FENDER	51	HEXAGULAR BOLT M6×50
21	FENDER REAR BRAKET ASSY	52	HEXAGULAR BOLT M8×70
22	HEXAGONAL NUT M6	53	TRANSMISSION CASE COVER
23	FENDER FRONT BRAKET ASSY	54	PULLEY(BELT) COVER UPPER BRAKET
24	RIGHT FENDER	55	PULLEY(BELT) COVER SUBFRAME BRAKET
25	DISSIMILAR COTTER PIN Φ1.2	56	BELT
26	PIN SHAFT B8*50	57	DRIVING WHEEL
27	DRAGGING ITEM PIN	58	BUMPER
28	HEXAGULAR BOLT M8×40	59	SUPPORTING WHEEL ASSY
29	SPEED CONTROL ROD	60	1-SHAPE SLOTTED AND CASTLE NUT
30	DRAGGING ITEM JOINTING ASSY	61	COTTER PIN 2.0×30
31	DISSIMILAR COTTER PIN Φ1.2	62	HEXAGON HEADED BOLT

ST20131111



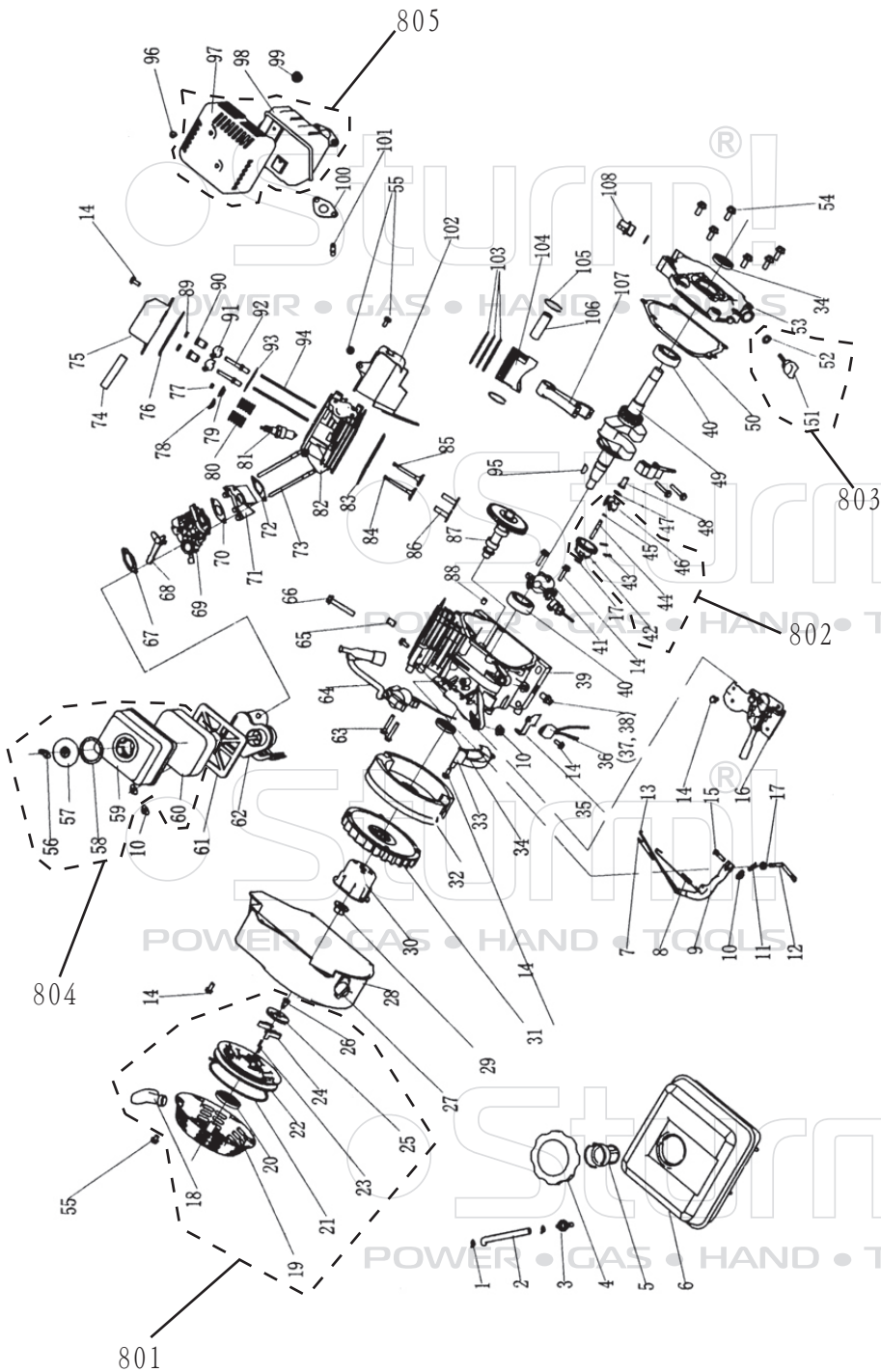
# GK8370 GEAR BOX

NO.	DESCRIPTION	NO.	DESCRIPTION
1	OIL PLUG	28	NONSTANDARD WASHER
2	BEARING 6002	29	BEARING 6203
3	SHIFT GEAR	30	OIL DIPSTICK
4	MAINSHAFT	31	TRANSMISSION CASE BODY
5	BEARING 6202	32	BUSH
6	ELASTIC CIRCLIP FOR HOLE	33	SEALING O-RING
7	OIL SEAL	34	OIL SEALING PLATE
8	SEALING O-RING	35	HEXANGULAR BOLT
9	WHEEL BOX FENDER	36	HEXANGON NUT
10	HEXANGULAR BOLT	37	STANDARD SPRING WASHER
11	SHIFTING GEAR FORK SHAFT	38	WASHER
12	SHIFTING GEAR FORK	39	HEXANGON NUT
13	OIL SEAL	40	STANDARD SPRING WASHER
14	BUSH	41	WASHER
15	REVERSE GEAR	42	WHEEL BOX FENDER
16	TRANSITION SPUR GEAR	43	OIL SEAL
17	COUNTERSHAFT	44	BEARING 6005
18	OIL PLUG	45	CHAIN
19	IRON SHOT	46	DRIVEN CHAIN WHEEL
20	POSITIONING SPRING	47	HEXAGONAL OUTPUT SHAFT
21	BUSH	48	OIL PURGE BOLT
22	SEALING O-RING	49	BEARING 6205
23	DUPLEX SPUR GEAR	50	ELASTIC CIRCLIP FOR HOLE
24	DRIVING CHAIN WHEEL SHAFT	51	OIL SEAL
25	DRIVING CHAIN WHEEL	52	WHEEL BOX FENDER(RIGHT)
26	BUSH	53	HEXANGULAR BOLT
27	TRANSITION SPUR GEAR	54	HEXANGULAR BOLT

ST20131111



# ENGINE FOR GK8370



NO.	DESCRIPTION	NO.	DESCRIPTION	NO.	DESCRIPTION
1	CLIP TUBE	39	CRANK CASE	77	RATATOR VALVE
2	TUBE FUEL	40	BEARING RADIAL BALL	78	SEAL GUIDE
3	JOINT ASSY FUEL TANK	41	OIL LEVEL SWITCH	79	RETAINER VALVE SPRING
4	CAP COMP FUEL FILLER	42	GEAR GOVERNOR	80	SPRING VALVE
5	FILTER FUEL	43	PIN GOVERNOR WEIGHT	81	PLUG SPARK
6	OIL TANK	44	SHAFT GOVERNOR	82	HEAD COMP CYLINDER
7	OIL LINE	45	CLIP GOVERNOR HOLDER	83	GASKET CYLINDER
8	SPRING THROTTLE RETURN	46	WEIGHT GOVERNOR	84	VALVE IN
9	ARM GOVERNOR	47	WASHER PAIN 6×15×0.5	85	VALVE EX
10	NUT FLANGE	48	SLIDER GOVERNOR	86	LEFTER VALVE
11	PIN LOCK	49	CRANKSHAFT COMP	87	CAMSHAFT ASSY
12	SHAFT GOVERNOR ARM	50	PACKING CASE COVER	88	PIN FLYING BLOCK
13	ROD GOVERNOR	51	OIL FILLER CAP	89	NUT PIVOT ADJUSTING
14	BOLT FLANGE	52	PACKING OIL FILLER CAP	90	PIVOT ROCKER ARM
15	BOLT QUADRATE HEAD	53	COVER	91	ARM VALVE ROCKER
16	CONTROL ASSY	54	BOLT FLANGE	92	BOLT PIVOT ARM
17	WASHER PAIN	55	BOLT FLANGE	93	PLATE ASSY
18	KNOB RECOIL STARTER	56	NUT TOOL BOX SETTING	94	ROD PUSH
19	COVER COMP FAN	57	COVER AIR CLEANER	95	KEY SPECIAL WOODRUFF
20	SPRING RECOIL SATRTER	58	SEAL AIR CLEANER	96	SCREW TAPPINIG 5*8
21	REEL RECOIL STARTER	59	COVER AIR CLEANER	97	PROTECTOR MUFFLER
22	ROPE	60	FILTER OUTER	98	MUFFLER ASSY
23	SPRING RETURN	61	AIR CLEANER PLATE	99	NUT HEX 8MM
24	RATCHET STARTER	62	ELBOW COMP AIR CLEANER	100	GASKET MUFFLER
25	GUIDE RATCHET	63	BOLT FLANGE 6*25	101	BOLT STUD EXHAUST
26	SCREW SETTING	64	COIL ASSY IGNITION	102	SHROUD
27	SWITCH ASSY ENGINE STOP(OIL ALERT)	65	PIN DOWER	103	RING SET
28	COVER COMP FAN	66	BOLT FLANGE 8*55	104	PISTON
29	NUT SPECIAL	67	SPACER COMP AIR CLEANER	105	CLIP PISTON PIN
30	PULLEY STARTER	68	LEVER COMP CHOKE	106	PIN PISTON
31	FAN COOLING	69	CARBURETOR	107	CONNECTING ROD
32	FLYWHEEL COMP	70	PACKING CABURETOR	108	OIL STICK
33	DIVERSION ASSY	71	INSULATOR CARBURETOR	801	RECOIL STARTER
34	OIL SEAL 25*41.25*6	72	PACKING INSUL ATOR	802	GEAR GOVERNOR ASSEMBLY
35	PLATE SIDE SUPPORT	73	BOLT STUD IN	803	OIL FILLER CAP ASSEMBLY
36	ALART UNIT OIL	74	TUBE BREATHER	804	ARI FILTER
37	BOLT DRAIN PLUG	75	COVER COMP HEAD	805	MUFFLER
38	WASHER DRAIN PLUG 10×15×1.2	76	PACKING HEAD COVER		

ST20131111