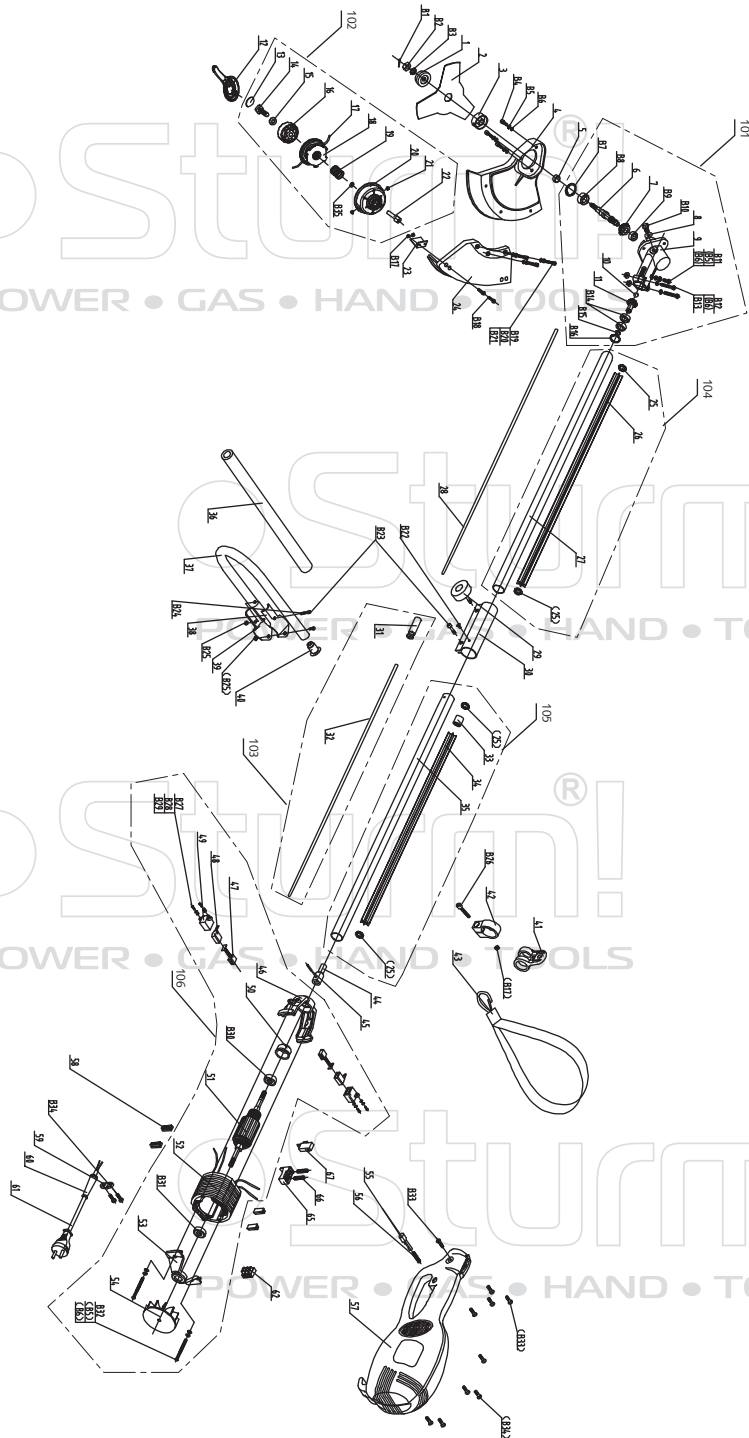


GT3514D



NO.	DESCRIPTION	NO.	DESCRIPTION	NO.	DESCRIPTION
1	PRESSURE BOARD	42	LOCATING RING	82B	HEX. BOLT M5X12
2	CUTTER BLADE	43	BELT	B19	HEX. BOLT M6X20
3	SPLINE BUSH	44	SOFT SHAFT COUPLER	B20	SPRING WASHER
4	CUTTER BLADE GUARD	45	PIN	B21	WASHER
5	LOCATING BUSH	46	FRONT COVER	B22	RIVET Ø4X8
6	DRIVEN SHAFT	47	CARBON BRUSH	B23	HEX. SCREW M6X14
7	DRIVEN GEAR	48	COPPER CONNECTOR	B24	HEX. SCREW M6X32
8	SEALING RING	49	BRUSH BOX	B25	LOCK NUT M6
9	GEAR BOX	50	BEARING COVER	B26	HEX. SCREW M5X16
10	STOP PIN	51	ROTOR	B27	SCREW M4X10
11	DRIVE PINION SHAFT	52	STATOR	B28	SPRING WASHER
12	SPANNER	53	REAR COVER	B29	WASHER
13	JAM	54	FAN	B30	BEARING 608Z
14	SQUARE HEAD SCREW	55	UN-LOCK LEVER	B31	BEARING 608Z
15	SAFETY WASHER	56	PRESSURE SPRING	B32	SCREW M5X75
16	COVER OF LINE CUTTER	57	MOTOR HOUSING	B33	TAPPING SCREW ST4.8X12
17	NYLON LINE	58	RUBBER LINE	B34	TAPPING SCREW ST4.2X15
18	BASE OF NYLON LINE	59	CORD ANCHORAGE	B35	CIRCLIP FOR SHAFT
19	PRESSURE SPRING	60	CORD GUARD	101	GEAR BOX ASSEMBLY(6+7...+11+B7+B8...+B16)
20	BOX OF NYLON LINE	61	POWER CORD AND PLUG	102	NYLON LINE SPOOL (13+14...+22)
21	BUSH	62	TERMINAL	103	SOFT SHAFT B ASSEMBLY(31+32)
22	HEXAGONAL SHAFT	65	TRIGGER	104	ALU. TUBE A ASSEMBLY(25+26+27+28)
23	SMALL KNIFE	66	PRESSURE SPRING	105	ALU. TUBE B ASSEMBLY(25+33+34+35)
24	LINE CUTTER GUARD	67	SWITCH	106	MOTOR ASSEMBLY(46+47...+54+B27+B28...+B32)
25	CIRCLIP	B1	OPENING PIN		
26	PLASTIC TUBE A	B2	NUT		
27	ALU. TUBE A	B3	WASHER		
28	SOFT SHAFT A	B4	SCREW		
29	HAND WHEEL	B5	SPRING WASHER		
30	CONNECT TUBE	B6	WASHER		
31	SHAFT BUSH A	B7	CIRCLIP		
32	SOFT SHAFT B	B8	BEARING 6201RZ		
33	COPPER SHAFT BUSH B	B9	BEARING 629-Z		
34	PLASTIC TUBE B	B10	BOLT M8X10		
35	ALU. TUBE B	B11	SCREW M5X12		
36	SPONGE TUBE	B12	HEX. HEAD BOLT M5X32		
37	AUXILIARY CURVED TUBE	B13	LOCK FLANGE NUT		
38	AUXILIARY CONNECT TUBE A	B14	6900Z		
39	AUXILIARY CONNECT TUBE B	B15	CIRCLIP FOR SHAFT		
40	STOP PIN	B16	CIRCLIP FOR HOLE		
41	LIFT RING	B17	LOCK NUT M5		

ST20101118