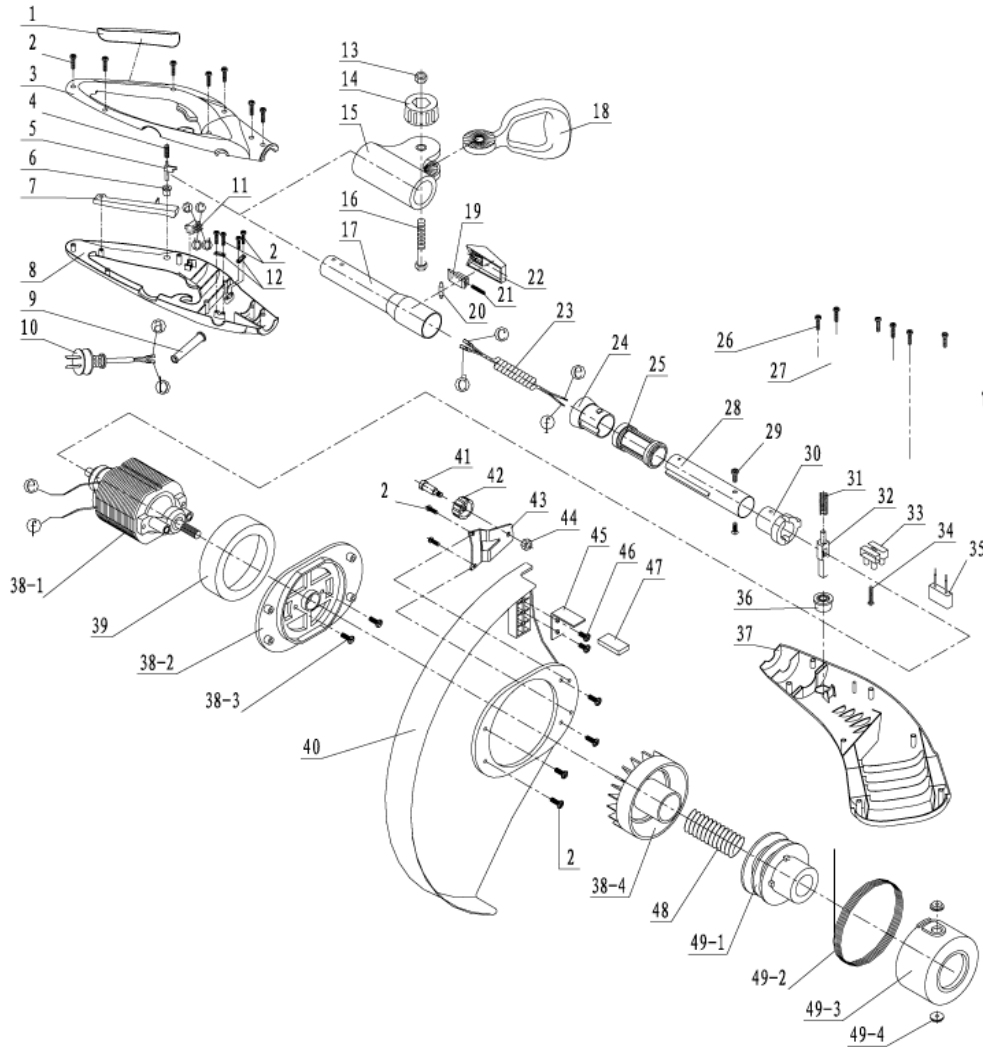


GT3545L GT 3560L



1	Soft cover	29	Tapping screw
2	Tapping screw	30	Turning ring
3	Right handle	31	Spring
4	Spring	32	Turning bar
5	Fixed pole	33	Terminal block
6	Switch button	34	Tapping screw
7	Switch trigger	35	Capacitor
8	Left handle	36	Turning button
9	Cord sleeve	37	Left housing
10	Power cord	38-1	Motor
11	Switch	38-2	Fixed board
12	Cord clamp	38-3	Screw
13	Nut(M6)	38-4	Spool holder
14	Knob	39	Shock absorption ring
15	Holder	40	Guard
16	Hex bolt	41	Pin
17	Connecting tube	42	Protecting wheel
18	Side handle	43	Protecting bar
19	Flexing pressing button	44	Hex nut
20	Pin	45	Knife
21	Spring	46	Rivet
22	Flexing pushing button	47	Knife cover
23	Connecting wire	48	Spring
24	Expanding ring	49-1	Spool
25	Flexing tube	49-2	Nylon wire
26	Tapping screw	49-3	Spool cover
27	Right housing	49-4	Rivet
28	Connecting tube		