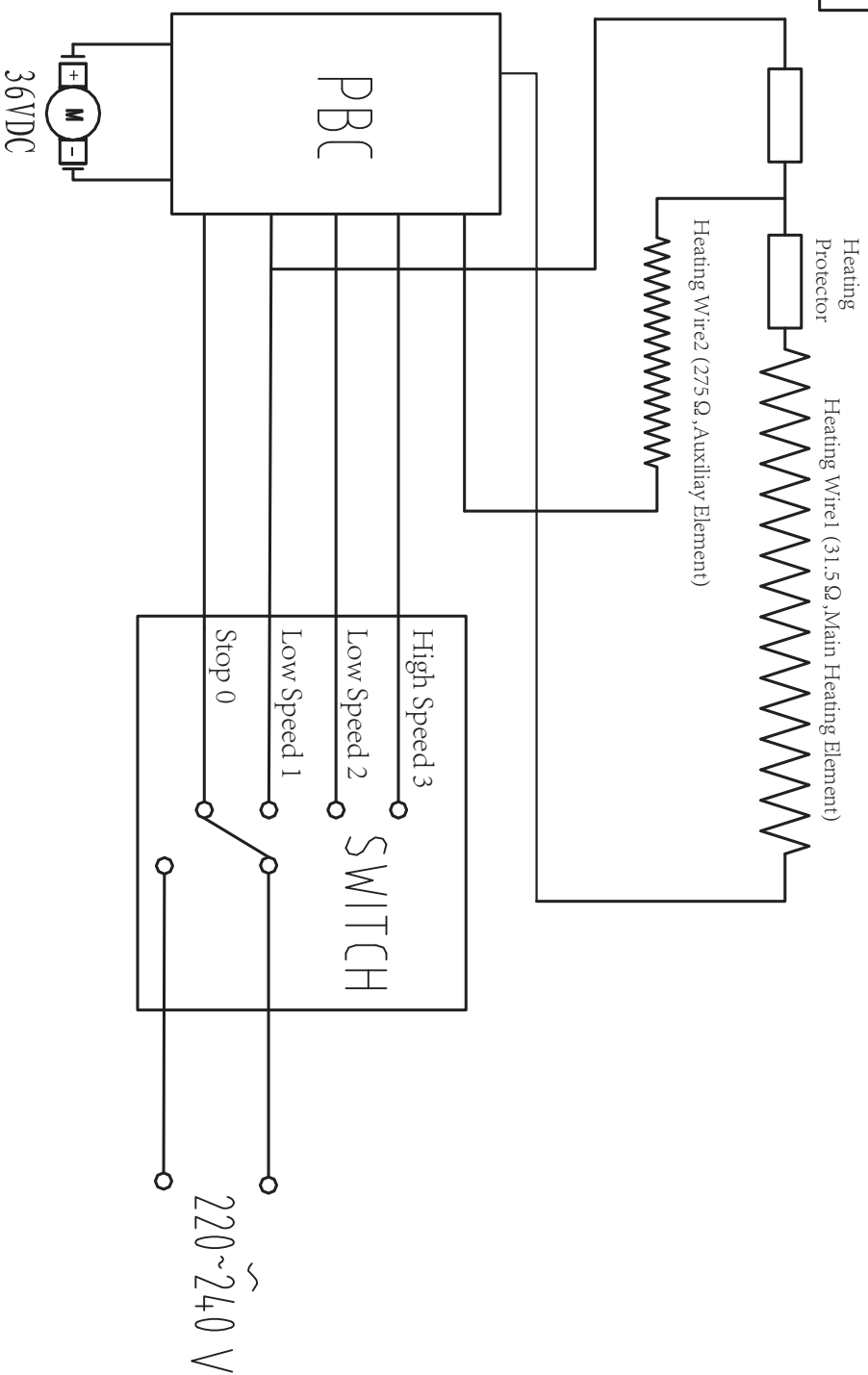


M0007-101AM-B10



Point Of View	Linear		View direction				
	Size (mm)	Tolerance (mm)	1000 ~ 2000	2000 ~ 4000	1000 ~ 2000	2000 ~ 4000	View direction
U/remarked Dimension Tolerance	0.5 ~ 6	± 0.1	± 1.2	± 2	± 1.2	± 2	View direction
GB/T1804-m	~ 10	± 1°	± 30'	± 20'	± 10'	± 5'	View direction