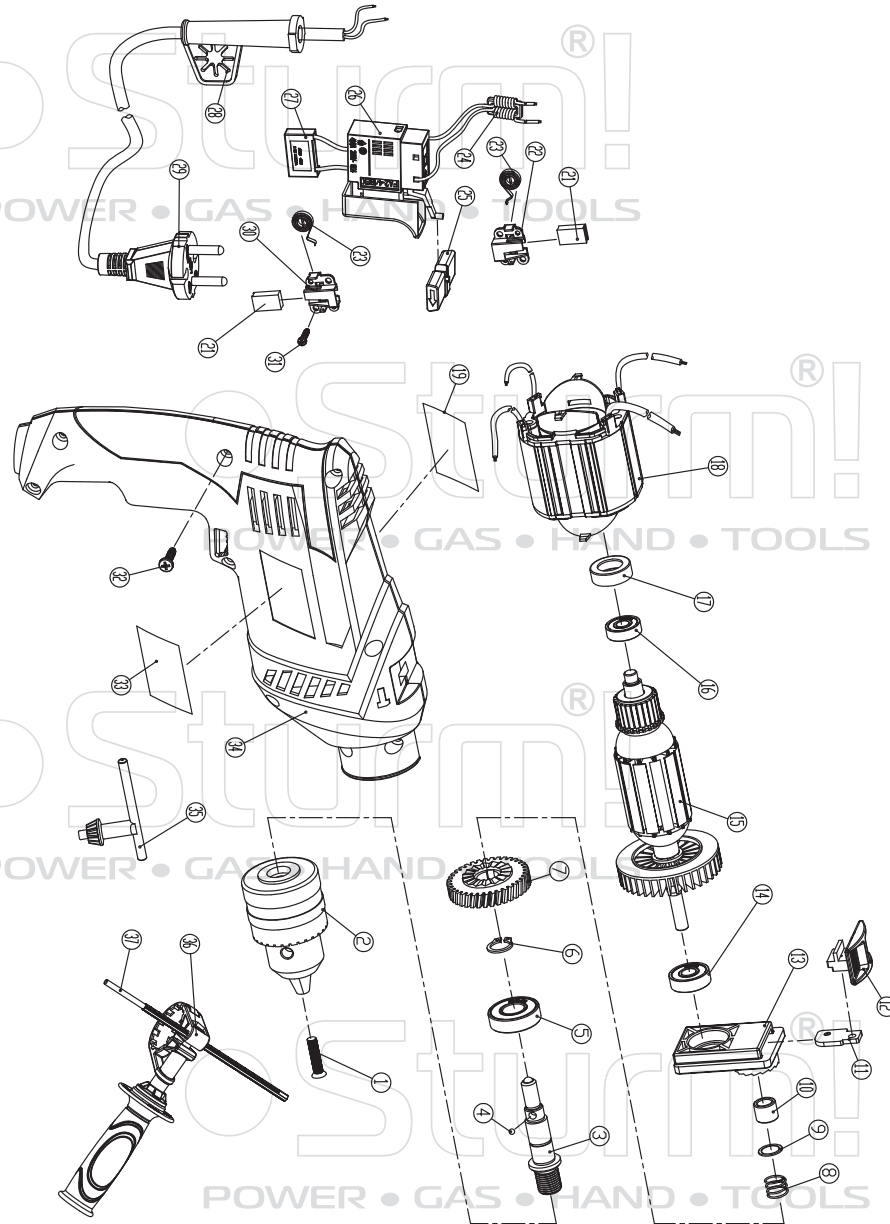


# ID2010<sup>®</sup>



NO.	DESCRIPTION	NO.	DESCRIPTION
1	Left-threaded screw	21	Carbon brush
2	Chuck	22	Left Carbon brush holder
3	Output shaft	23	Roll Sprin
4	Steel Ball	24	Inductor
5	Rolling bearing 6001Z	25	Forwarder/ reverse knob
6	Snap ring	26	Switch
7	Driven gear	27	Capacitor
8	Spring	28	Cable protector <sup>®</sup>
9	Wearing washer	29	Cable
10	Needle bearing HK0810	30	Right Carbon brush holder
11	Drill shell	31	Self-tapping screw
12	Drill change knob	32	Self-tapping screw
13	Central support bracket	33	Right label
14	Ball bearing 608Z	34	Housing
15	Rotor	35	Chuck key
16	ball bearing 607Z	36	Auxiliary handle
17	Bearig bushing	37	Depth ruler
18	Stator		
19	Left lable		

UK-ST20161130