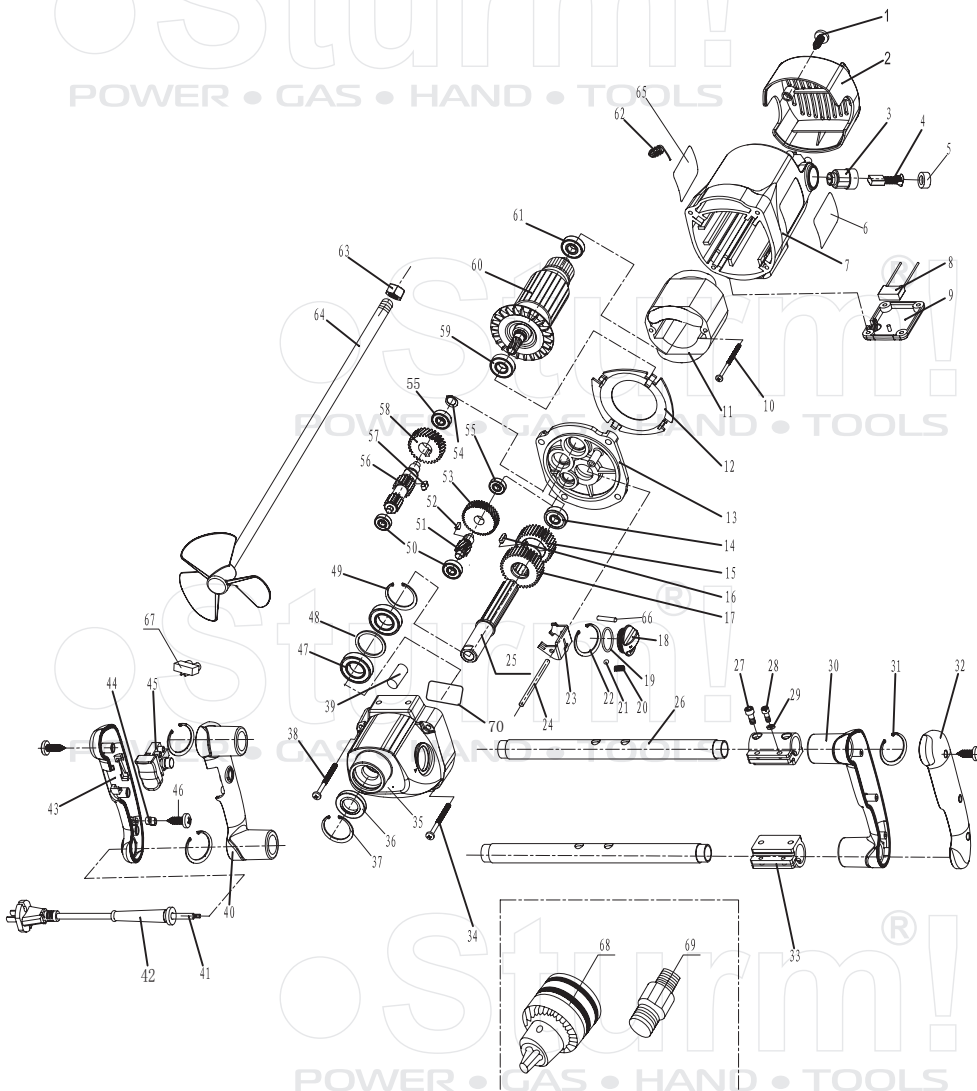


ID2015M



NO.	DESCRIPTION	NO.	DESCRIPTION
1	SCREW	36	O RING
2	HOUSING REAR COVER	37	CIRCLIP FOR HOLE
3	BRUSH HOUDER	38	SCREW
4	CARBON BRUSH	39	COLUMN PIN
5	BRUSH COVER	40	RIGHT HANDLE
6	NAME PLATE	41	CORD & PLUG
7	HOUSING	42	CORD SLEEVE
8	CAPACITOR	43	RIGHT HANDLE COVER
9	CONNECTION BOX COVER	44	CORD ANCHORAGE
10	SCREW	45	SWITCH
11	STATOR	46	SCREW
12	AIR DEFLECTOR	47	BEARING 6904
13	MIDDLE COVER	48	BEARING SPACER
14	BALL BEARING 629	49	CIRCLIP FOR HOLE
15	GEAR I	50	BEARING 608
16	KEY	51	SECOND GEAR SHAFT
17	GEAR II	52	WOODRUFF KEY
18	SPEED SETTING KNOB	53	FIRST DRIVEN GEAR
19	O RING	54	CIRCLIP FOR SHAFT
20	SPRING	55	BEARING 607
21	STEEL BALL	56	THIRD GEAR SHAFT
22	CIRCLIP FOR SHAFT	57	KEY
23	FORK LEVER	58	SECOND DRIVEN GEAR
24	FORK LEVER SHAFT	59	BEARING 6001
25	OUTPUT SPINDLE	60	ROTOR
26	HANDLE FRAME	61	BEARING 6000
27	HEX BOLT	62	INDUCTANCE
28	SCREW	63	NUT
29	SPRING WASHER	64	PADDLE
30	LEFT HANDLE	65	TRADEMARK
31	CIRCLIP FOR SHAFT	66	COLUMN PIN
32	LEFT HANDLE COVER	67	TERMINAL BOLK
33	BRUSH FOR HANDLE COVER	68	COLLET
34	SCREW	69	COUPLER
35	GEAR BOX	70	RING