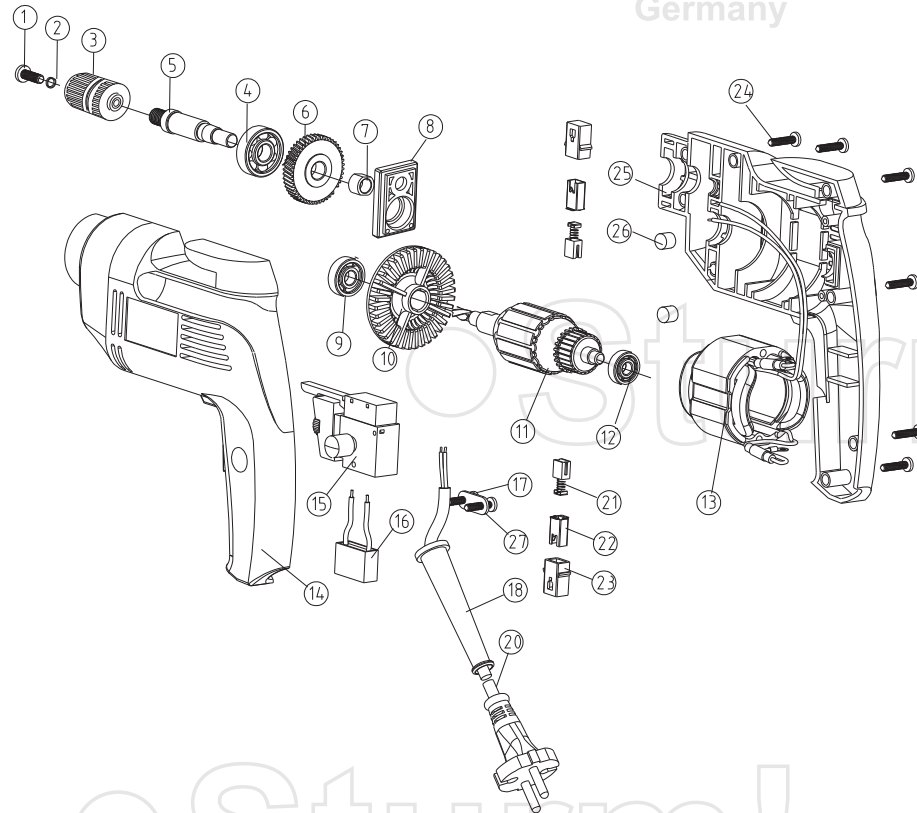


ID2150



NO.	DESCRIPTION
1	SCREW
2	SPRING WASHER
3	CHUCK
4	BEARING 6001Z
5	SHAFT
6	BIG GEAR
7	SELF-OILED BEARING
8	ABUTMENT
9	BEARING 608Z
10	FAN
11	ROTOR
12	BEARING 607Z
13	STATOR
14	LEFT ENCLOSURE
15	SWITCH
16	CAPACITOR
17	STRAIN RELIEF
18	CORD SLEEVE
20	AC CORD & PLUG
21	CARBON BRUSH
22	BRUSH BUSHING
23	BRUSH HOLDER
24	TAPPING SCREW
25	RIGHT ENCLOSURE
26	RUBBER SLEEVE
27	TAPPING SCREW

RU60609-2