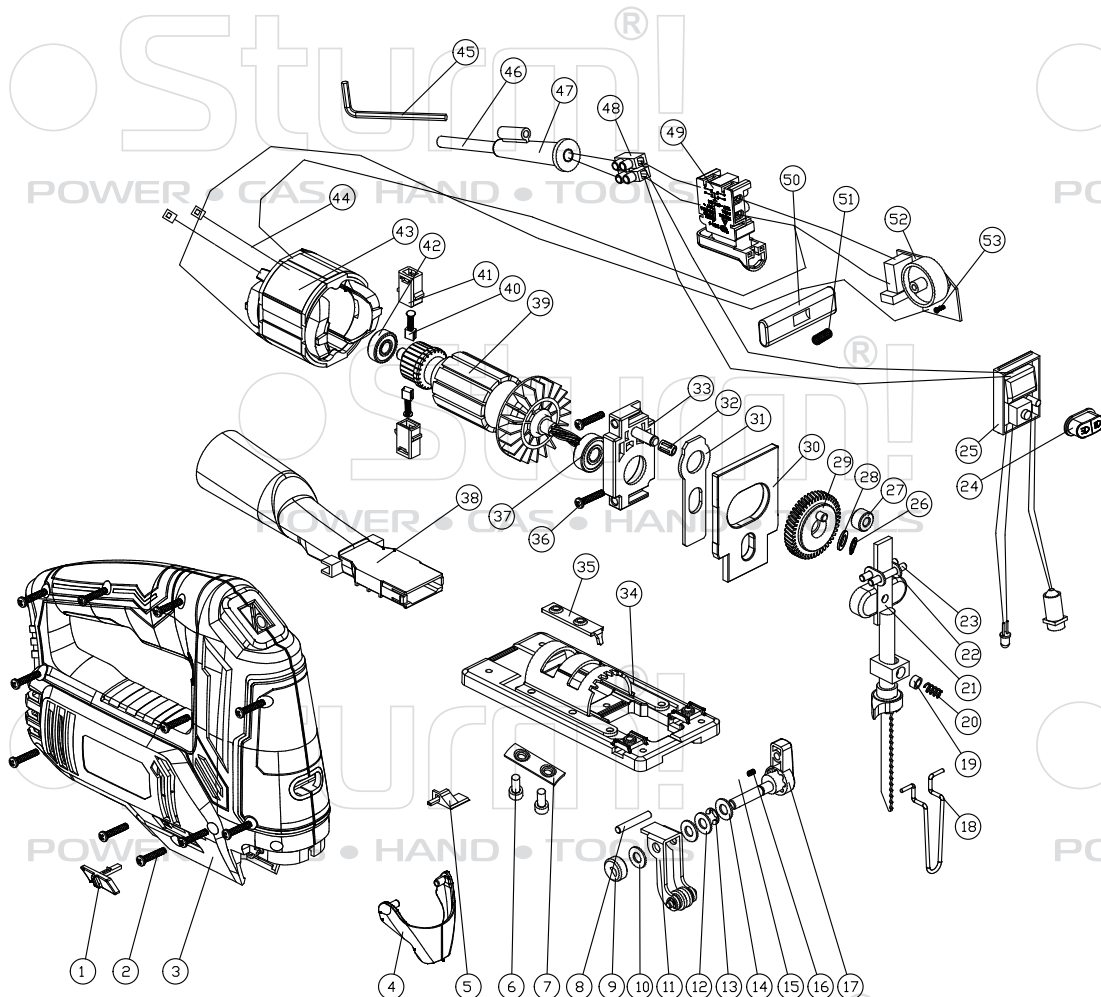


# JS4110Q

NO.	DESCRIPTION	NO.	DESCRIPTION
1	BLOW BUTTON	28	WASHER 12X6.4X0.5
2	SCREW ST3.9X17	29	BIG GEAR
3	HOUSING	30	BALANCE BLOCK
4	GUARD	31	PENDULUM BOARD
5	BLOW BOARD	32	NEEDLE BEARING 6X0X14
6	SCREW M5X12	33	BEARING HOLDER
7	PRESS BOARD	34	BASE
8	PIN 4X24	35	FIX BOARD
9	CAP	36	SCREW ST3.9X32
10	WASHER 11X6.4X0.5	37	BEARING 629Z
11	SAW BLADE HOLDER	38	DUST TUBE
12	WASHER 13X6.4X1	39	ROTOR
13	CIRCLIP 6	40	CARBON BRUSH
14	WASHER 13X6.4X0.8	41	BRUSH HOLDER
15	STEEL BALL 4	42	BEARING 607Z
16	PENDULUM KNOB SPRING	43	STATOR
17	PENDULUM KNOB	44	INDUCTANCE
18	STEEL WIRE	45	ALLEN KEY 3
19	SPRING CAP	46	CABLE
20	RECIPROCATING ROD SPRING	47	CABLE SLEEVE
21	RECIPROCATING ROD	48	TERMINAL
22	RECIPROCATING ROD WASHER	49	SWITCH
23	PIN4X28	50	SWITCH POLE
24	LED BUTTON	51	SPRING
25	PCB	52	VARIABLE SPEED PCB
26	CIRCLIP 6	53	SCREW ST2.2X6.5
27	ROLLER		



UK-20210702