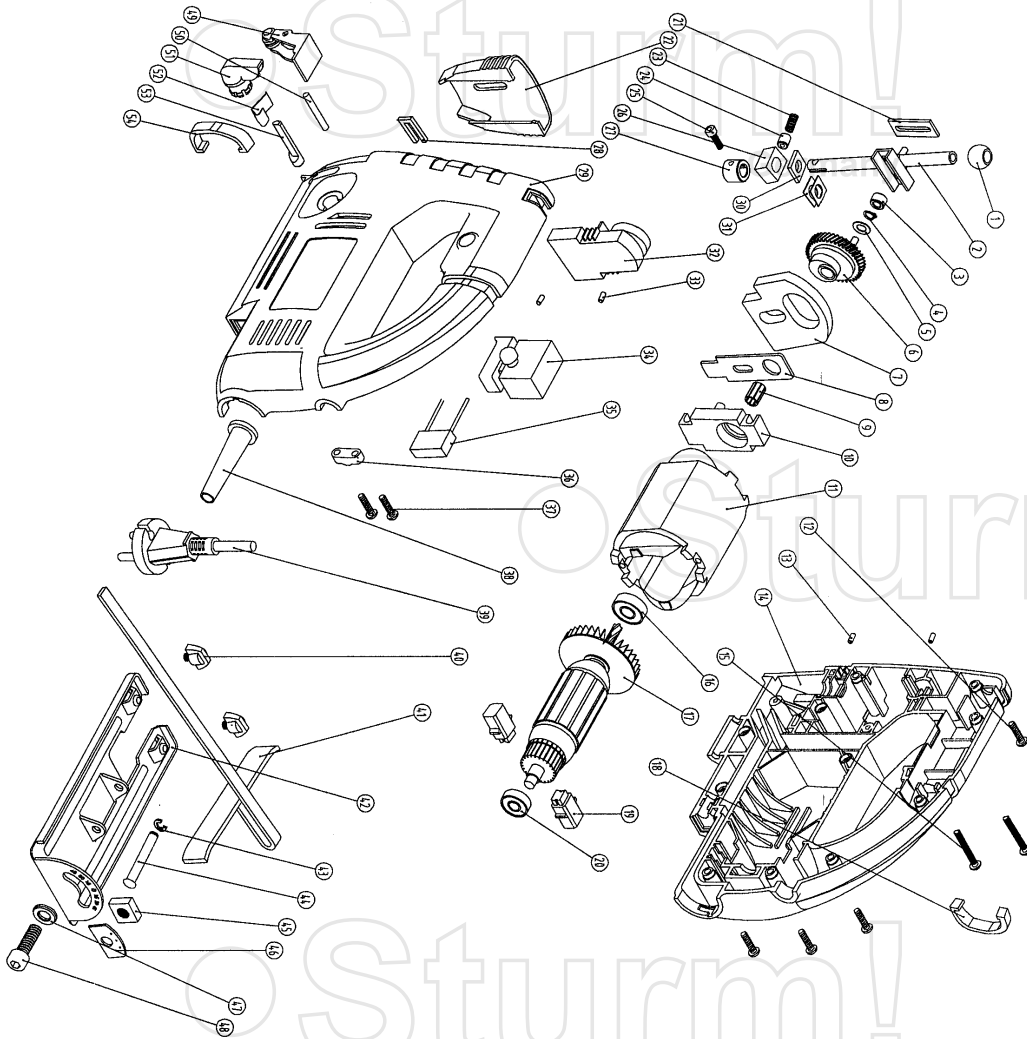


## JS4075S



NO.	DESCRIPTION	NO.	DESCRIPTION
1	UPPER SLIDE BUSH	28	DUST-PROOF BLOCK 2
2	RECIPROCATING POLE ASSEMBLY	29	LEFT HOUSING
3	ROLLER BUSH	30	DUST-PROOF BLOCK 1
4	CIRCLIP Ø6	31	DUST-PROOF CLAMP BOARD
5	WASHER	32	ADJUSTMENT SPEED BOARD
6	GEAR ASSEMBLY	33	NEEDLE
7	BALANCE BLOCK	34	SWITCH
8	SUPPORT PLATE	35	CAPACITOR
9	NEEDLE BEARING	36	CORD ANCHORAGE
10	CENTER BRACKET	37	TAPPING SCREW
11	STATOR	38	CORD SLEEVE
12	TAPPING SCREW	39	CORD
13	NEEDLE	40	KNOB OF GUIDE RULER
14	RIGHT HOUSING	41	GUIDE RULER
15	TAPPING SCREW	42	BASE PLATE
16	BEARING 629	43	CIRCLIP Ø6
17	ARMATURE	44	BASE PLATE POSITION PIN
18	RIGHT DECORATE RING	45	SQUARE NUT
19	BRUSH HOLDER ASSEMBLY	46	BASE PLATE POSITION WASHER
20	BEARING 608	47	WASHER
21	POSITION PLATE OF RECIPROCATING POLE	48	INNER HEXAGON SCREW
22	TRANSPARENCE GURAD	49	GUIDE ROLLER
23	RESETTING SPRING	50	PENDULUM RACK AXIS
24	RESETTING PIN	51	PENDULUM KNOB
25	INNER HEXAGON SCREW	52	RESETTING SPRING FOR PENDULUM RACK
26	UNDERNEATH SLIDE BUSH	53	AXIS OF PENDULUM ADJUSTMENT
27	BLADE RACK	54	LEFT DECORATE RING

RU5110801

Germany

Germany