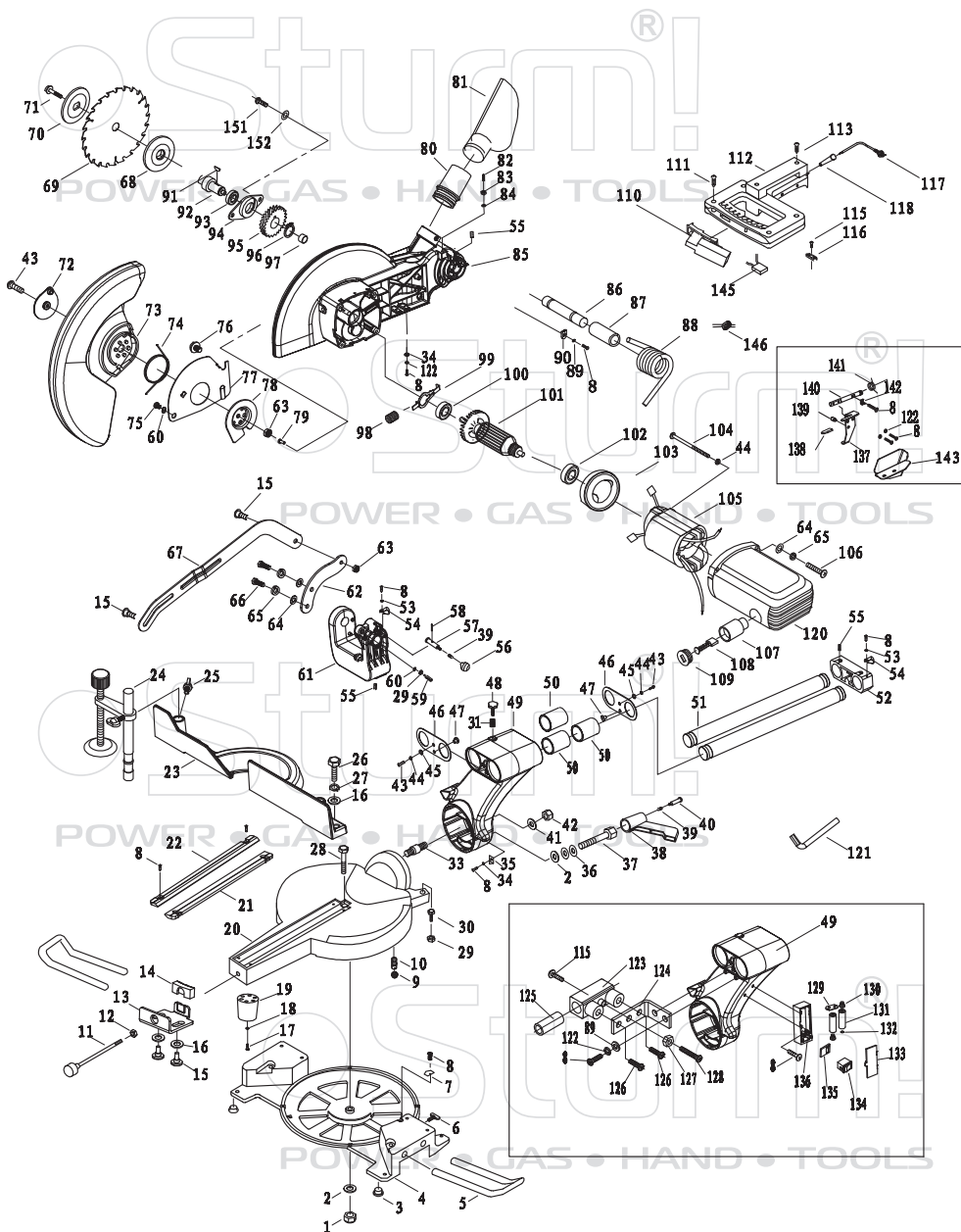


MS55305



NO.	DESCRIPTION	NO.	DESCRIPTION	NO.	DESCRIPTION
1	LOCK NUT	50	LINEAR BEARING	98	SPRING
2	FLAT WASHER	51	EXTENSION POLE	99	LOCK CATCH
3	RUBBER FOOT	52	REAR BRACKET	100	BEARING
4	BASE	53	WASHER	101	ROTOR
5	EXTENSION BAR	54	WIRE FASTENER	102	BEARING
6	WING NUT	55	BOLT	103	WIND DEFENDER
7	INDICATOR NEEDLE	56	HANDWHEEL BALL	104	TAPPING SCREW
8	SCREW	57	PIN	105	STATOR
9	STEEL BALL	58	ELASTIC PIN	106	SCREW
10	SPRING	59	BOLT	107	BRUSH HOLDER
11	OPERATION HANDLE	60	WAVE WASHER	108	CARBON BRUSH
12	NUT	61	BRACKET	109	BRUSH CAP
13	PRESSURE BOARD	62	CONNECTION ROD BASE	110	SWITCH
14	FRICTION SHEET	63	LOCK NUT	111	BOLT
15	CONNECTION BOLT 5X12	64	FLAT WASHER	112	HANDLE
16	FLAT WASHER	65	SPRING WASHER	113	TAPPING SCREW
17	SCREW	66	BOLT	115	TAPPING SCREW
18	WASHER	67	CONNECTION ROD	116	CORD ANCHORAGE
19	RUBBER FOOT	68	INNER FLANGE	117	POWER CORD
20	TABLE	69	BLADE	118	CORD GUARD
21	TABLE INSERT (RIGHT)	70	OUTER FLANGE	120	HOUSING
22	TABLE INSERT (LEFT)	71	BOLT	121	HEX. KEY
23	RAIL	72	CONNECTION BOARD	122	SPRING WASHER
24	WORK PIECE CLAMP	73	MOVABLE GUARD	123	LASER BASE
25	WING NUT	74	DISC SPRING	124	LASER FIXING BOARD
26	BOLT	75	SCREW	125	LASER
27	SPRING WASHER	76	BOLT	126	SCREW
28	SCREW	77	SHEET	127	NUT
29	NUT	78	SHEET	128	SCREW
30	BOLT	79	TAPPING SCREW	129	CONDUCTIVE SHEET
31	SPRING	80	DUST TUBE	130	SPRING
33	DOUBLE HEAD BOLT	81	DUST BAG	131	BATTERY
34	SERRATED WASHER	82	BOLT	132	COPPER SHEET
35	INDICATOR NEEDLE	83	NUT	133	BATTERY BOX COVER
36	WAVE WASHER	84	WAVE WASHER	134	SWITCH
37	BOLT	85	BLADE GUARD	135	SWITCH COVER
38	KNOB	86	ACROSS SHAFT	136	BATTERY BOX
39	SPRING	87	PLASTIC TUBE	137	TRIGGER
40	BOLT	88	TORQUE SPRING	138	TRIGGER SLEEVE
41	FLAT WASHER	89	FLAT WASHER	139	TRIGGER PIN
42	LOCK NUT	90	DEFENDER	140	PIN
43	SCREW	91	WOODRUFF KEY	141	SMALL TORQUE SPRING
44	SPRING WASHER	92	OUTPUT SHAFT	142	SHEET
45	FLAT WASHER	93	BEARING	143	DEFENDER
46	COVER	94	FRONT COVER	145	CAPACITOR
47	ANTI-SHOCK PAD	95	GEAR	146	INDUCTOR
48	KNOB(M6X20)	96	CIRCLIP FOR SHAFT	151	SCREW
49	CRANK ARM	97	NEEDLE BEARING	152	WASHER