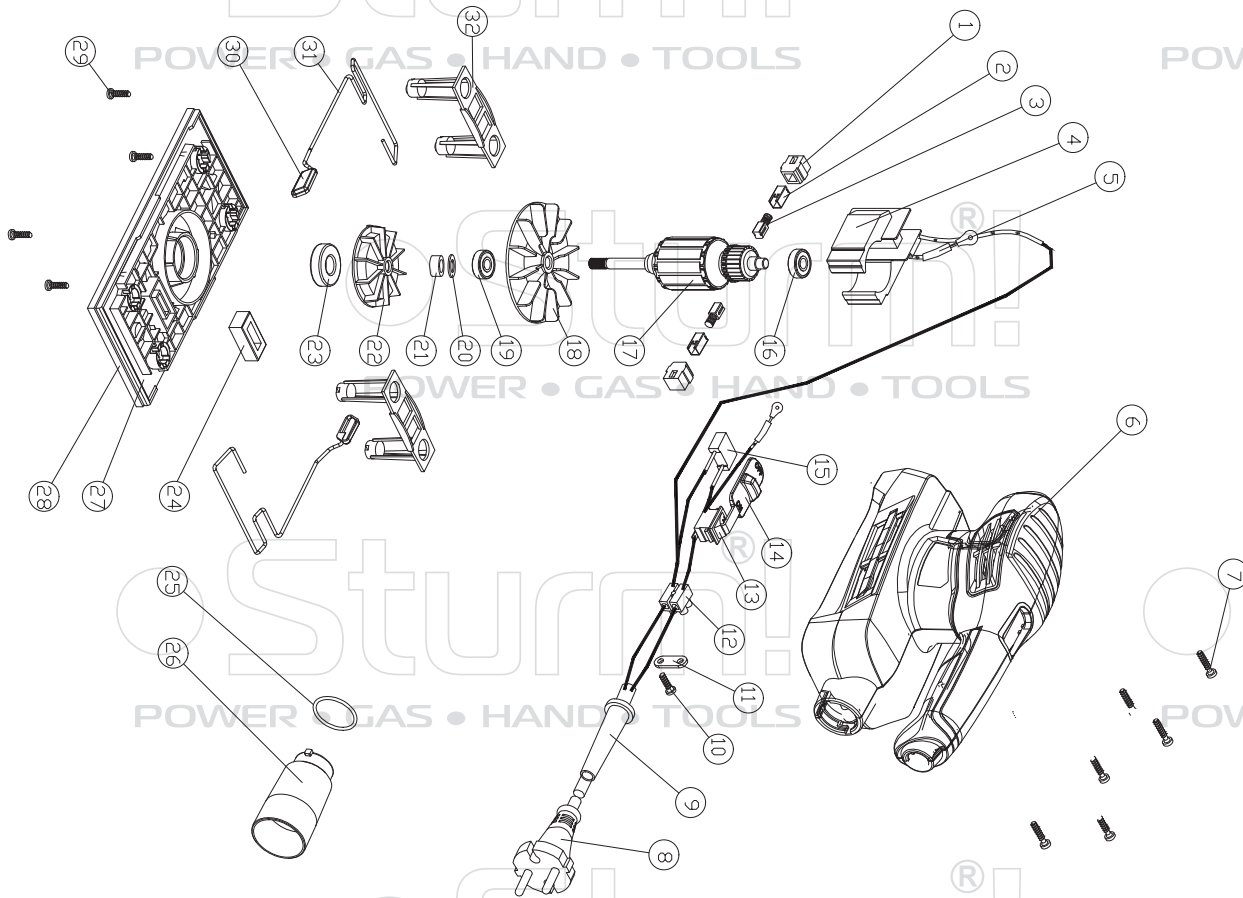


OS8028S



NO.	DESCRIPTION	NO.	DESCRIPTION
1	brush holder	25	o-ring
2	brush holder nest	26	dust tube
3	carbon brush	27	base
4	stator	28	base sponge
5	insert piece	29	screw ST3.9X12
6	housing	30	steel wire cap
7	screw ST3.9X17	31	steel wire
8	cable & plug	32	bracket foot
9	cabel sleeve		
10	screw ST3.9X12		
11	cable clamp		
12	termial block		
13	switch		
14	switch button		
15	capacitor		
16	bearing 607Z		
17	rotor		
18	fan		
19	bearing 607Z		
20	washer ϕ 7.3X ϕ 12X0.8		
21	bush		
22	aluminum fan		
23	bearing 6001		
24	spong		

UK-ST20181116

Sturm!
POWER • GAS • HAND • TOOLS

Sturm!
POWER • GAS • HAND • TOOLS