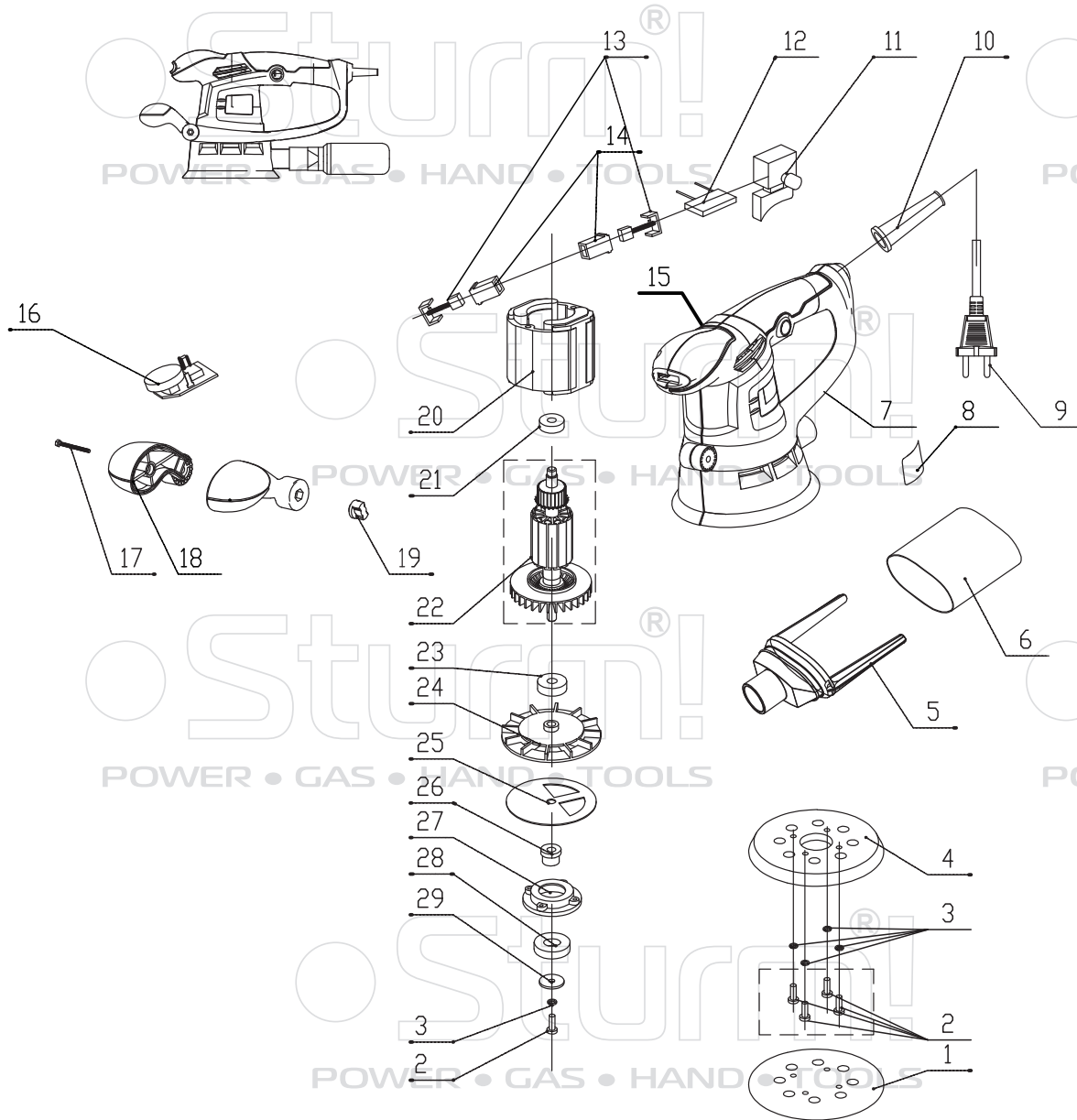


# OS8145R



NO.	DESCRIPTION
1	SANDER PAPER
2	SCREW M5×12
3	WASHER Ø235
4	BASE
5	DUST BAG BRACKET
6	DUST BAG
7	HOSUING
8	LABEL
9	CABLE
10	CABLE SLEEVE
11	SWITCH
12	CAPACITOR
13	CARBON BRUSH
14	BRUSH VOLDER
15	SCREW ST4.2×19
16	VARIABLE SPEED SWITCH
17	SCREW
18	HANDLE
19	KNOB
20	STATOR
21	BEARING ST4X8
22	ROTOR
23	BEARING
24	FAN φ35/32
25	BALANCE PIECE
26	BALANCE BLOCK
27	BEARING HOLDER
28	BEARING 6002RS
29	WASHER

UK-ST20210518