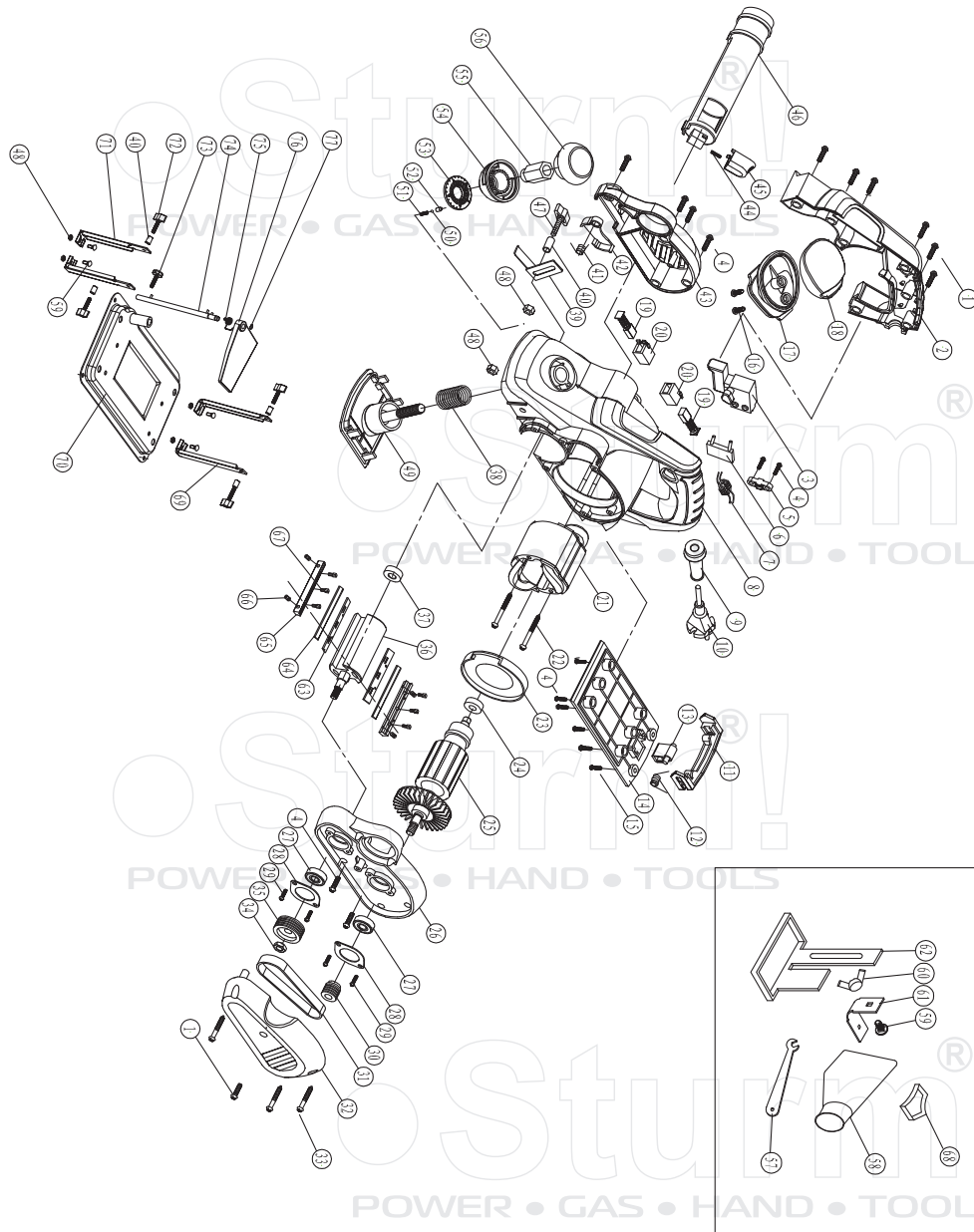


P1012N



NO.	DESCRIPTION	NO.	DESCRIPTION
1	screw	40	steel sleeve
2	left handle cover	41	spring
3	switch	42	guard
4	screw	43	side cover
5	cord clamp	44	spring
6	capacitor	45	locking button
7	inductor	46	dust tube
8	housing	47	adjust nut
9	cord sleeve	48	nut
10	cord & plug	49	font bottom plate
11	decoration cover	50	steel ball
12	spring	51	small spring
13	stand	52	copper tube
14	bottom plate	53	depth degree pan
15	screw	54	depth adjust handle
16	screw	55	plastic nut
17	front handle	56	depth adjust knob
18	font handle cover	57	spanner
19	carbon brush	58	dust bag
20	carbon brush holder	59	screw
21	stator	60	butterfly nut
22	screw	61	assistance backer
23	fan guide	62	orientation block
24	bearing 626Z	63	knife pressure
25	rotor	64	knife
26	middle cover	65	knife block
27	bearing 608Z	66	set screw
28	bearing cover	67	hexagon screw
29	screw	68	switch stopper
30	small belt wheel	69	bracket B
31	belt	70	fixity
32	belt cover	71	bracket A
33	screw	72	fastening knob
34	nut	73	adjust knob
35	big belt wheel	74	rotate bracket
36	knife holder	75	spring
37	bearing 626Z	76	guard cover
38	big spring	77	spring washer
39	depth ruler		

RU20100501