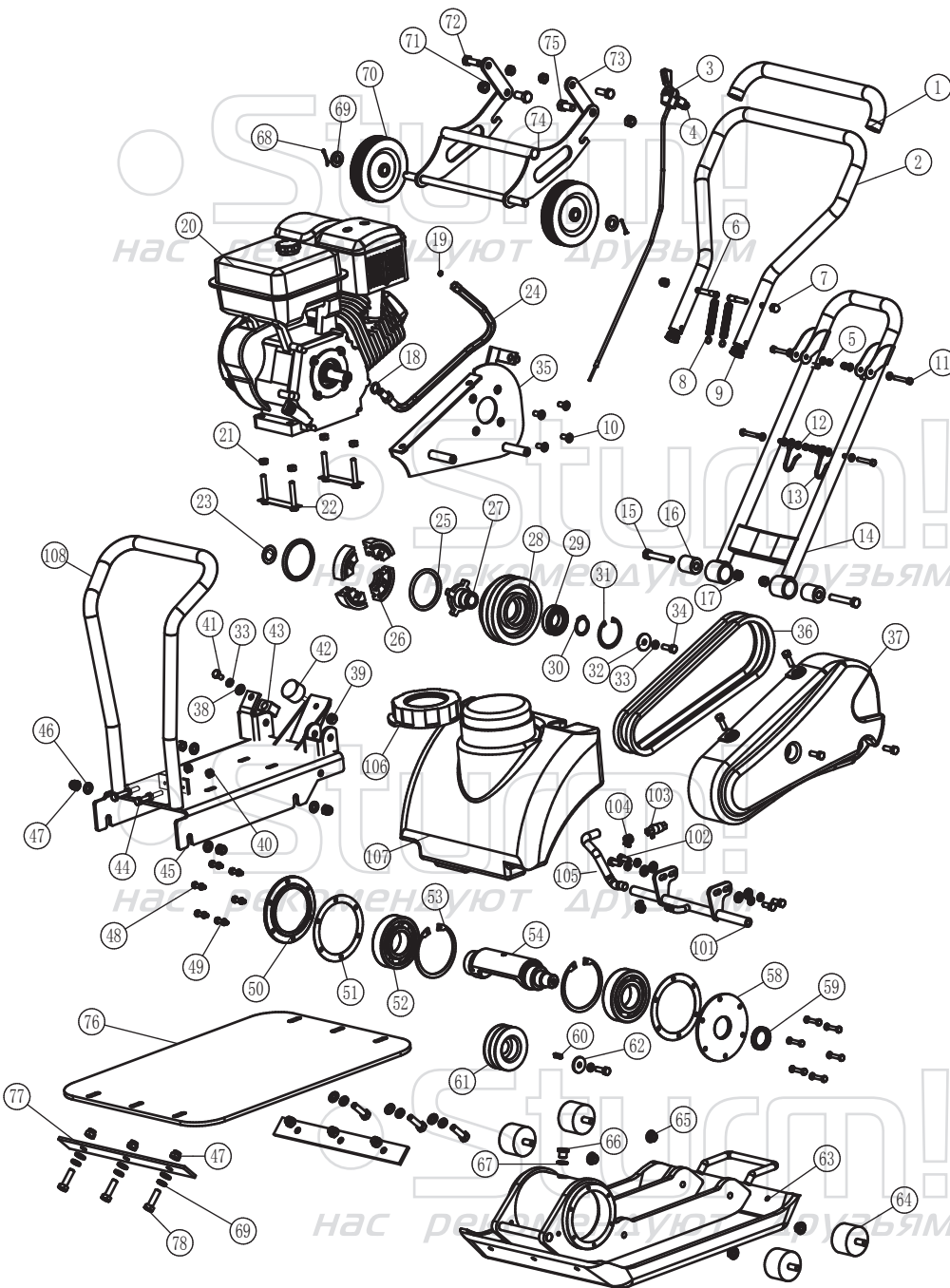
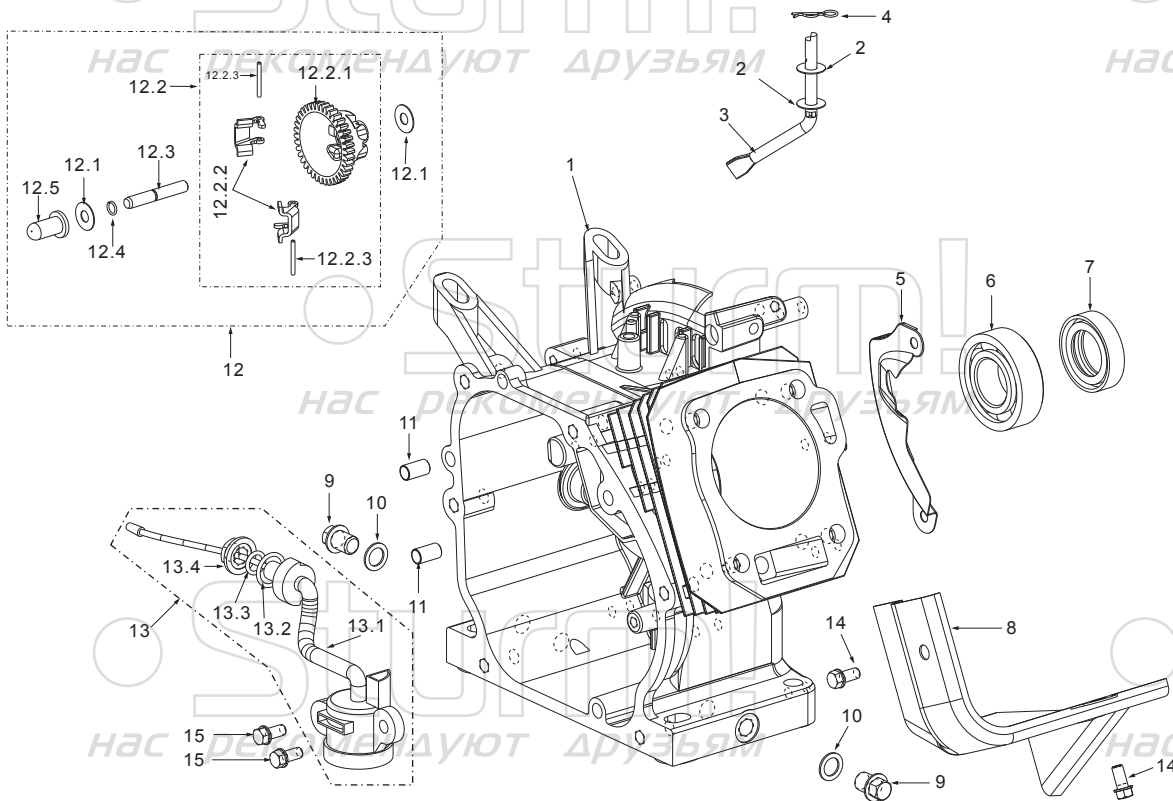


# PC8806DKW



NO.	DESCRIPTION	NO.	DESCRIPTION
1	the foam of handle grip	47	hex nut M10
2	handle	48	hex bolt M6x16
3	cord switch	49	spring washer 6
4	+ snap-head bolt	50	right bearing cover
5	hex-nut M6	51	seal ring
6	spring pin	52	bearing 6209
7	cap nut	53	circlip for hole 100
8	tension spring	54	vibration shaft
9	pipe end cap	58	left bearing cover
10	hex sunk screw M8x20	59	Lip oil seal 30x42x7
11	hex bolt M6x40	60	flat washer 6 x 6 x 20
12	flat washer 6N	61	pulley
13	hook	62	pulley circlip
14	connection frame for handle	63	bottom plate
15	hex bolt M10x65	64	shock-reducing rubber block
16	shock-reducing rubber ring	65	hex flange nut M10
17	self-locking nut	66	end nut
18	rubber gasket	67	washer
19	seal ring 5	68	split pin 2.5 x 25
20	petrol engine	69	flat washer 14N
21	hex flange nut M8	70	5" wheel
22	fixed plate for bolt	71	hex self-locking nut M12
23	adjusting washer	72	hex bolt M10x30
24	Oil drain pipe	73	connection rod
25	clutch spring	74	transport frame
26	clutch friction block	75	hex bolt M12x25
27	clutch core	76	rubber pad
28	clutch belt pulley	77	rubber pad splint
29	bearing 6006-LS	78	hex bolt M10 x 35
30	circlip for shaft 30	101	outlet pipework
31	circlip for hole 55	102	hex bolt M8x20
32	flat washer 8N	103	Valve
33	spring washer 8	104	Pipe Clamp
34	hex bolt M8x25	105	water pipe
35	fixed plate belt cover	106	water tank cover
36	V-belt	107	water tank
37	belt cover	108	Water tank frame
38	flat washer 8N		
39	hex nut M10		
40	hex nut M8		
41	hex bolt M8x16		
42	shock-reducing rubber block		
43	rubber block		
44	hex bolt M8x60		
45	engine amounting plate		
46	flat washer 10N		

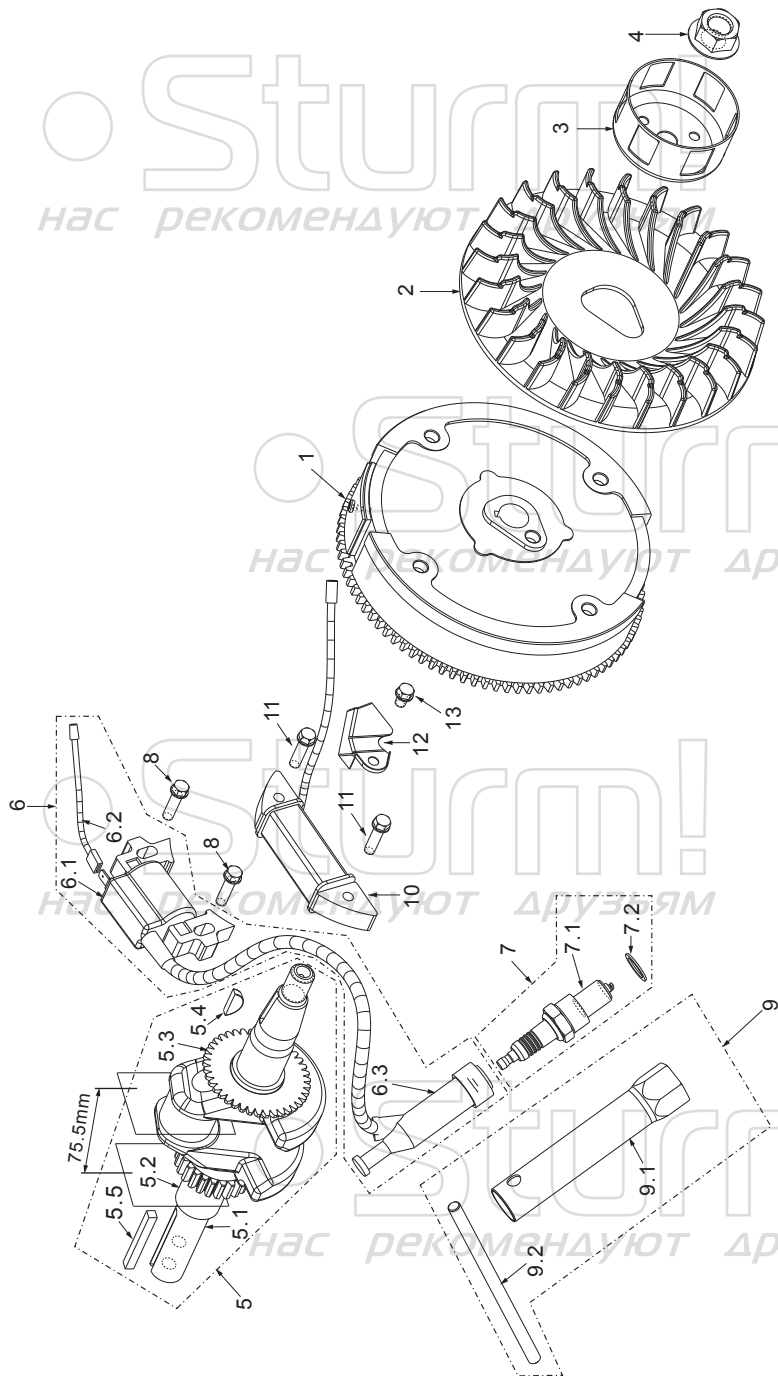
# THE ENGINE FOR PC8806DKW-1



NO.	DESCRIPTION
1	Crankcase body
2	Washer, Slip cap
3	Sway bar
4	Split clip
5	Side plate
6	Ball bearing
7	Oil seal
8	Wind guide
9	Drain bolt
10	Washer, Drain bolt
11	Set pin
12	Centrifugal gear parts
12.1	Washer, Slip cap
12.2	Centrifugal gear ass.
12.2.1	Centrifugal gear
12.2.2	Centrifugal block
12.2.3	Pin, Centrifugal block
12.3	Center axis
12.4	Clip, Center axis
12.5	Slip cap
13	Oil sensor ass.
13.1	Oil sensor body
13.2	O - ring
13.3	O - ring
13.4	Nut
14	Bolt
15	Bolt

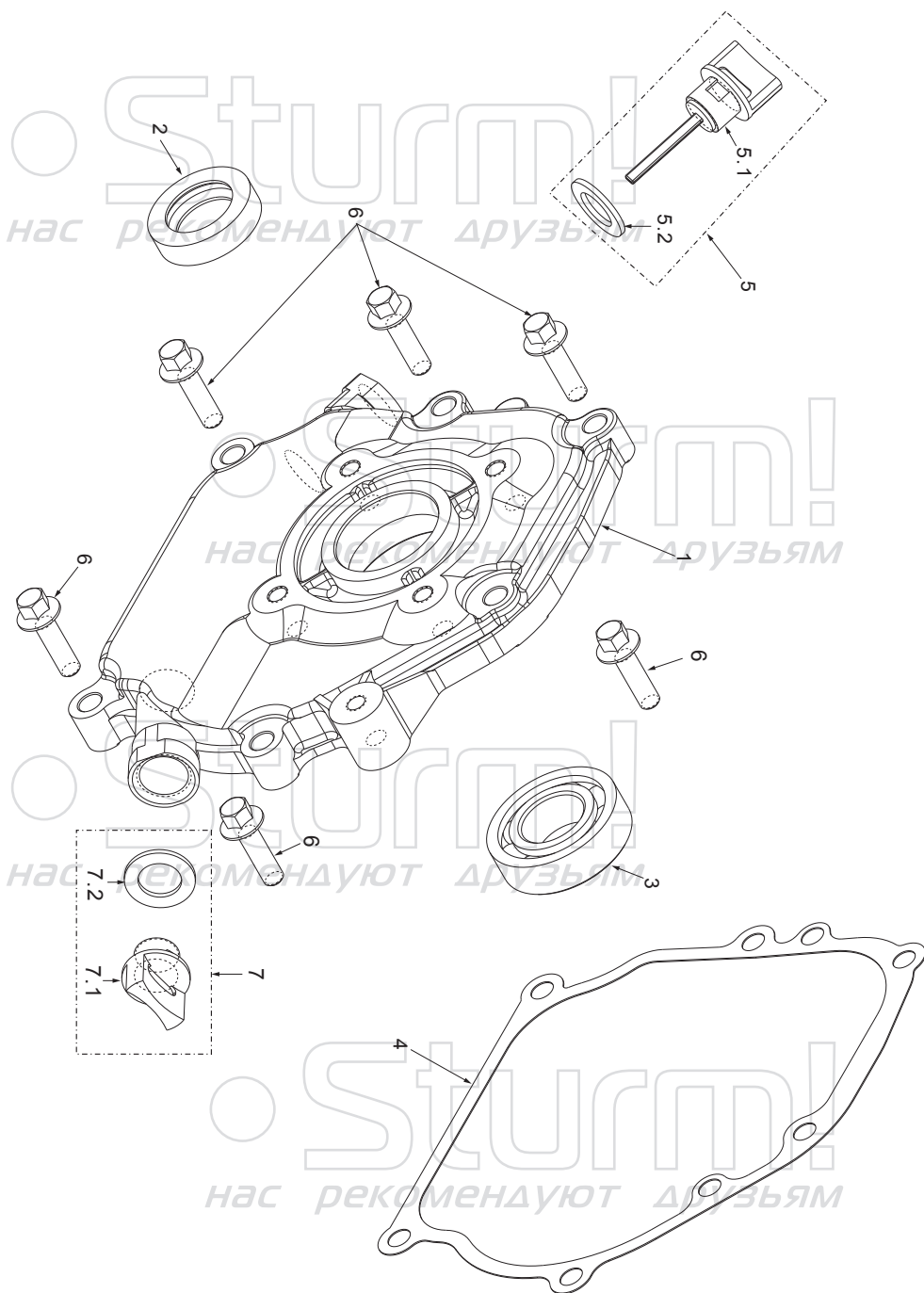
RU-ST20191009

## THE ENGINE FOR PC8806DKW-2



NO.	DESCRIPTION
1	Flywheel ass.
2	Flywheel fan
3	Starter sleeve
4	Nut, Flywheel ass.
5	Crankshaft ass.
5.1	Crankshaft
5.2	Timing gear
5.3	Governor gear
5.4	Woodruff key
5.5	Flat key
6	Ignition coil ass.
6.1	Ignition coil
6.2	Stop lead
6.3	Spark plug cap
7	Spark plug ass.
7.1	Spark plug
7.2	Washer, Spark plug
8	Bolt
9	Tools
9.1	Wrench, Spark plug
9.2	handle
10	Charge coil
11	Bolt
12	Fixer, Charge coil
13	Bolt

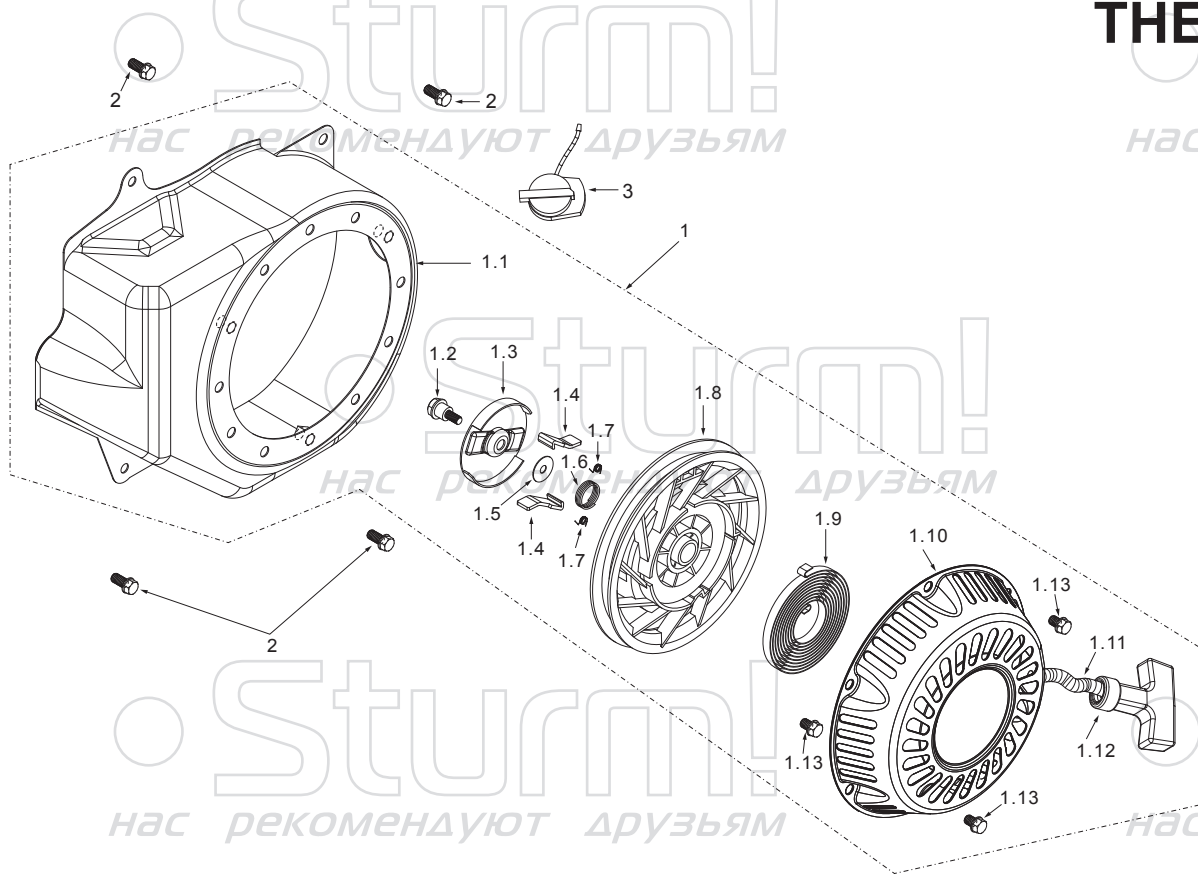
## THE ENGINE FOR PC8806DKW-3



NO.	DESCRIPTION
1	Crankcase cover
2	Oil seal
3	Ball bearing
4	Gasket, Crankcase
5	Oil gauge ass.
5.1	Oil gauge 1
5.2	Seal, Oil gauge
6	Bolt
7	Oil plug ass.
7.1	Oil plug 1
7.2	Seal, Oil plug

RU-ST20191009

# THE ENGINE FOR PC8806DKW-4



NO.	DESCRIPTION
1	Recoil starter ass.
1.1	Fan cover
1.2	Pivot bolt
1.3	Ratchet guide
1.4	Ratchet
1.5	Washer
1.6	Friction spring
1.7	Ratchet spring
1.8	Roller
1.9	Starter spring
1.10	Starter cover
1.11	Rope
1.12	Pulling handle
1.13	Bolt
2	Bolt
3	Current amplifier

RU-ST20191009

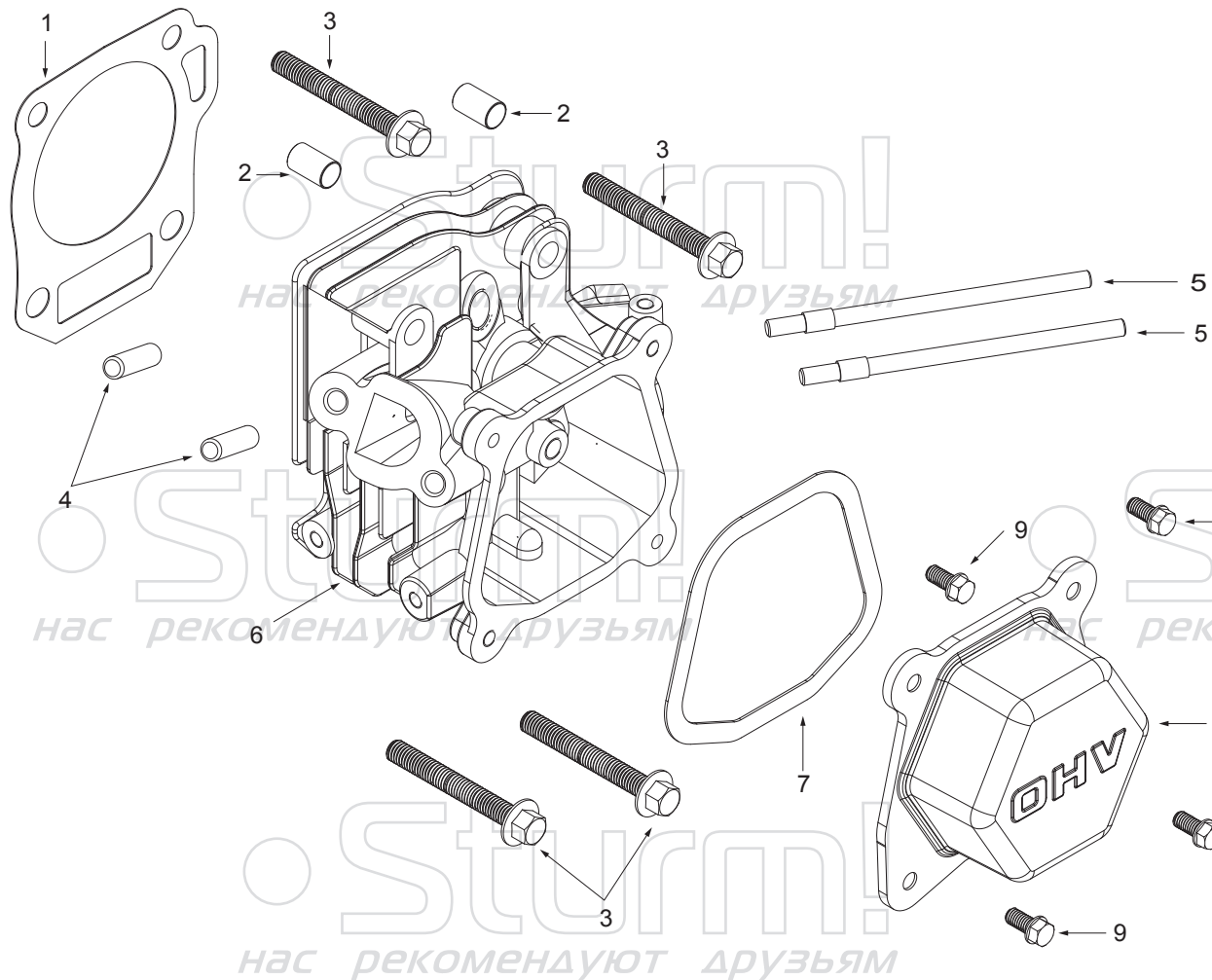
**Sturm!**  
нас рекомендуют друзья

**Sturm!**  
нас рекомендуют друзья

Sturm!  
нас рекомендуют друзья

Sturm!  
нас рекомендуют друзья

## THE ENGINE FOR PC8806DKW-5

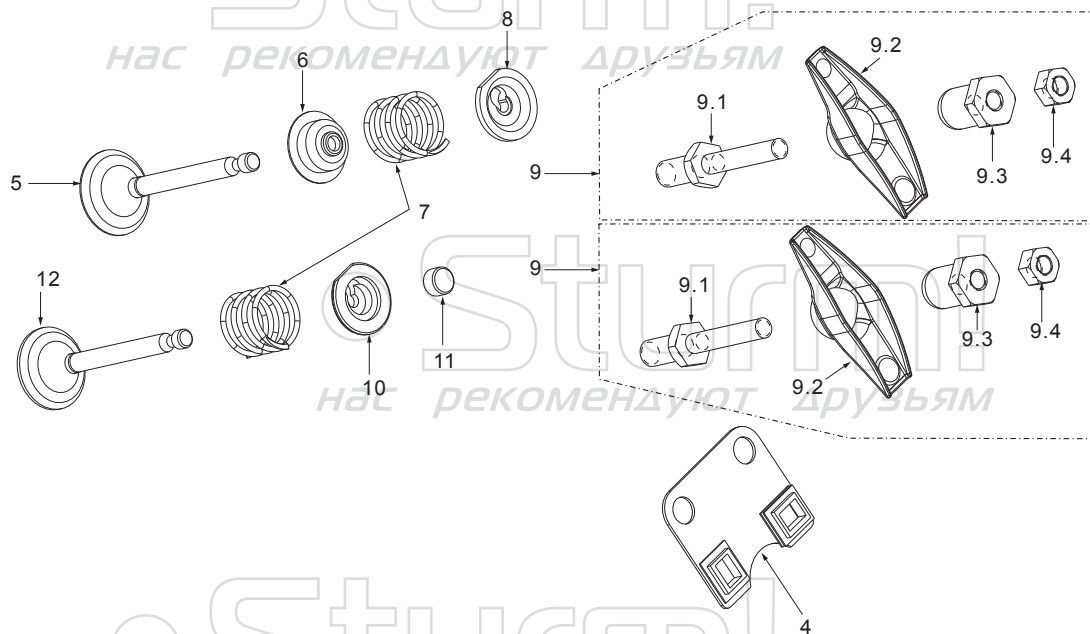


NO.	DESCRIPTION
1	Gasket, Cylinder head
2	Set pin
3	Bolt
4	Stud, Exhaust port
5	Stud, Intake port
6	Cylinder head ass.
7	Gasket, cylinder head cover
8	Cylinder head cover
9	Bolt

RU-ST20191009

Sturm!  
нас рекомендуют друзья

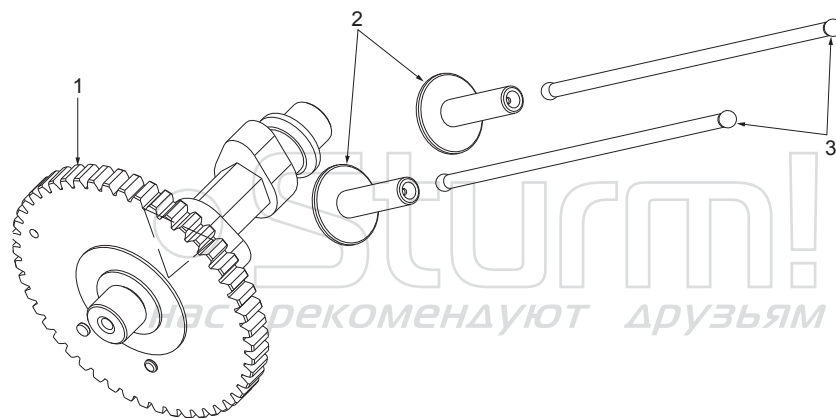
Sturm!  
нас рекомендуют друзья



## THE ENGINE FOR PC8806DKW-6

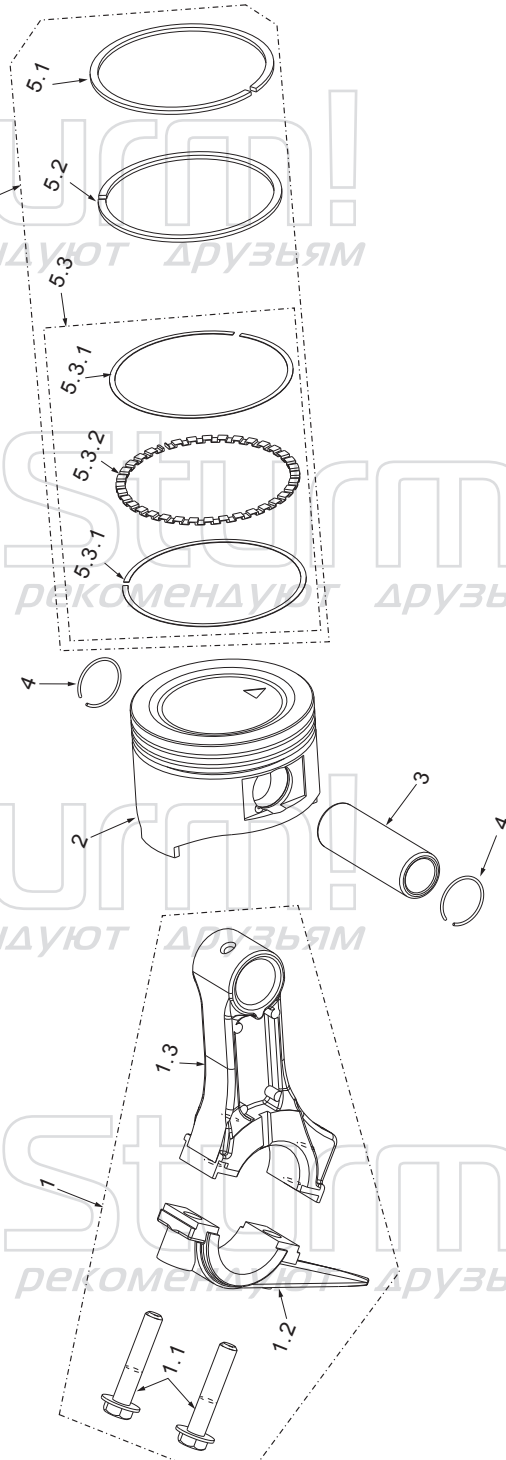
NO.	DESCRIPTION
1	Camshaft ass.
2	Tappet
3	Pusher
4	Pusher guide
5	Intake valve
6	Oil seal, Intake valve
7	V.alve spring
8	Spring seat, Intake valve
9	Rocker ass.
9.1	Stud, Rocker ass.
9.2	Rocker
9.3	Adjust nut, sphere
9.4	Lock nut
10	Spring seat, Exhaust valve
11	Cap, Exhaust valve
12	Exhaust valve

RU-ST20191009



Sturm!  
нас рекомендуют друзья

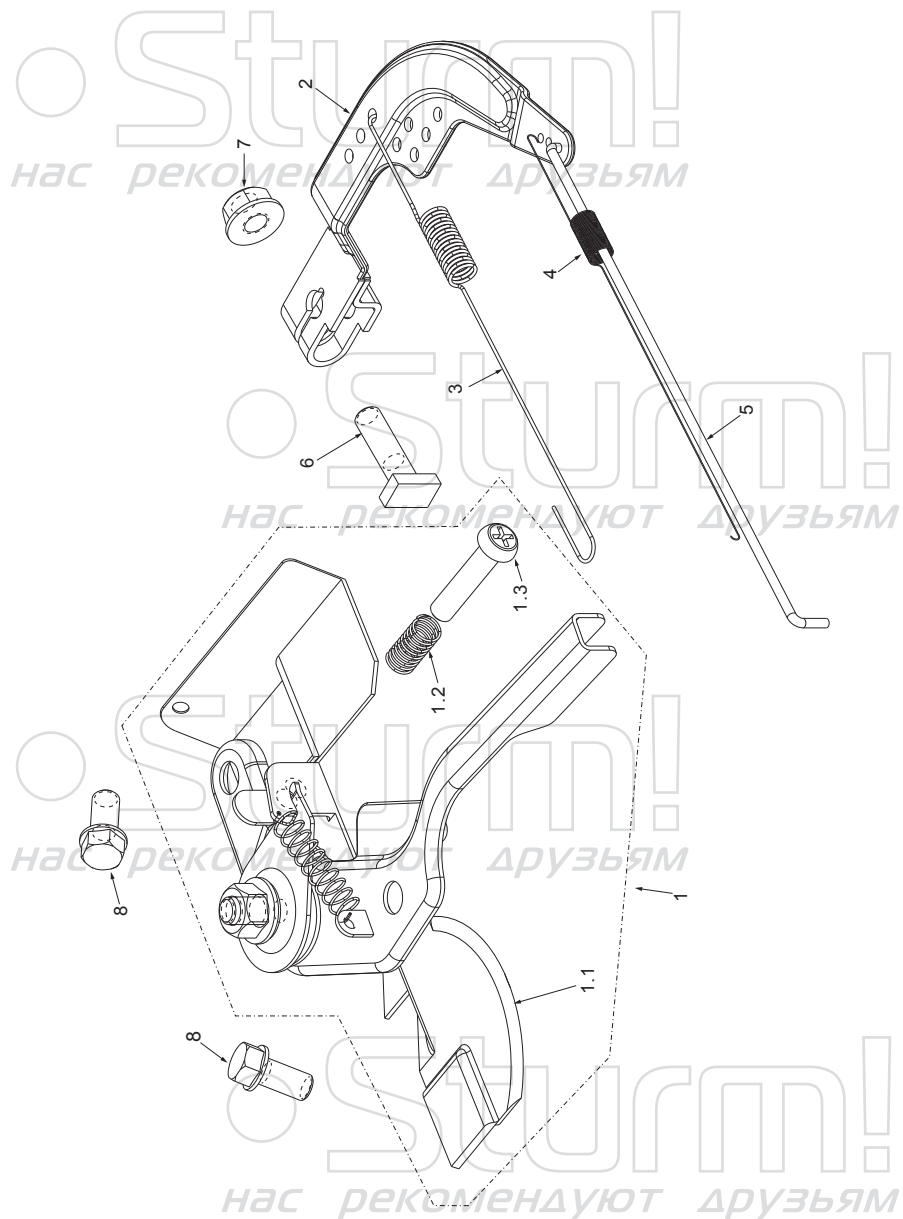
# THE ENGINE FOR PC8806DKW-7



NO.	DESCRIPTION
1	Connecting rod ass.
1.1	Bolt , Connecting rod
1.2	Cover, Connecting rod
1.3	Body, Connecting rod
2	Piston
3	Piston pin
4	Cli, Piston pin
5	Piston ring ass.
5.1	First air ring
5.2	Second air ring
5.3	Oil ring ass. 1
5.3.1	Scrapper ring 2
5.3.2	Set off ring

RU-ST20191009



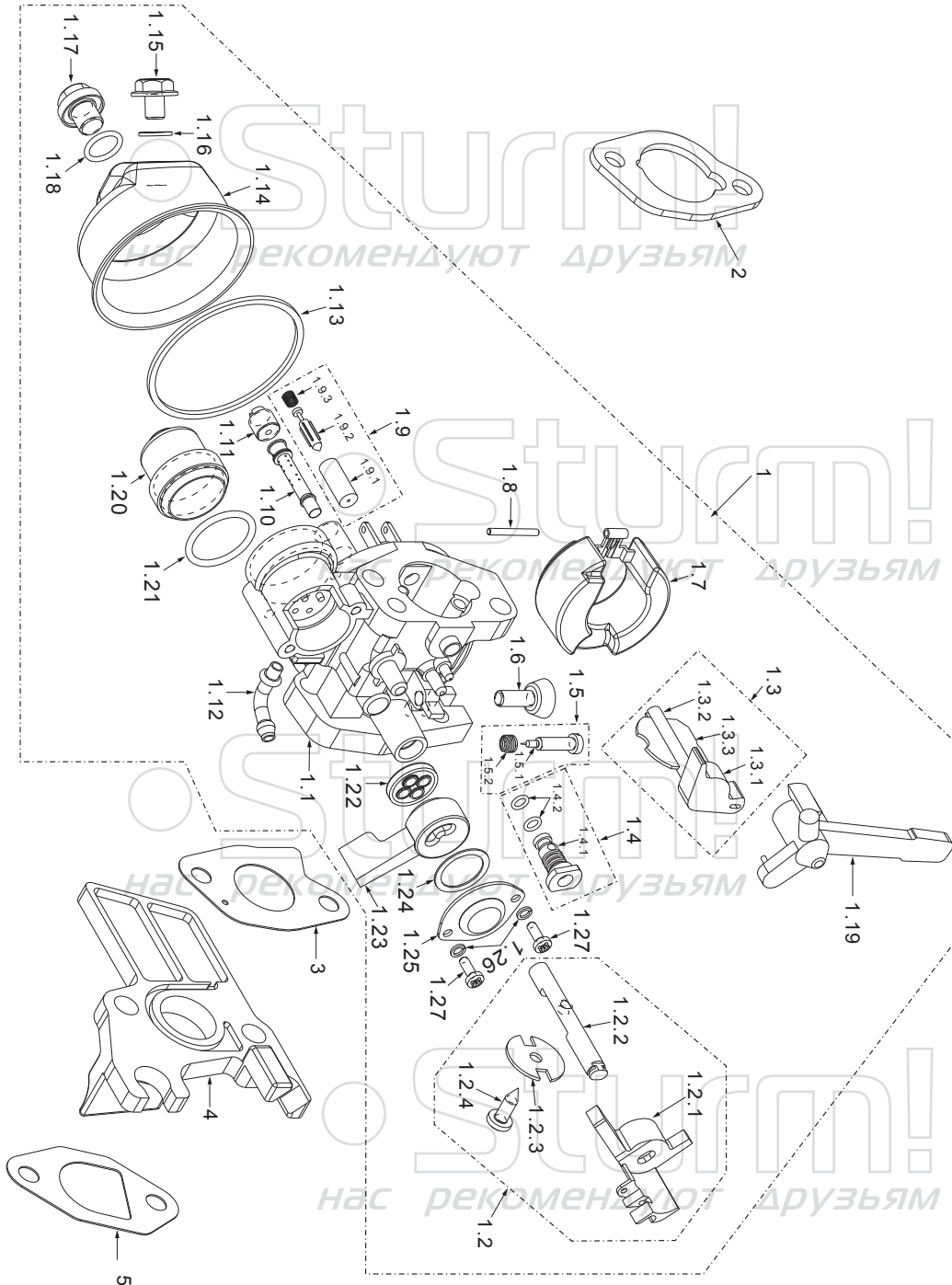


## THE ENGINE FOR PC8806DKW-8

NO.	DESCRIPTION
1	Speed adjustment base parts
1.1	Speed adjustment base ass.
1.2	Adjustment spring
1.3	Adjustment screw
2	Speed adjustment arm
3	Return spring
4	Fine adjustment spring
5	Pulling rod
6	Quadrate bolt
7	Nut
8	Bolt

RU-ST20191009

# THE ENGINE FOR PC8806DKW-9



NO.	DESCRIPTION	NO.	DESCRIPTION
1	Carburetor ass.	1.9.3	Spring, Needle valve
1.1	Carburetor body	1.10	Main jet
1.2	Throttle valve ass.	1.11	Main measuring hole
1.2.1	Throttle valve cap	1.12	Fuel inlet tube
1.2.2	Throttle valve axis	1.13	Rubber seal, Fuel cup
1.2.3	Throttle valve	1.14	Fuel cup
1.2.4	Screw	1.15	Fuel drain plug
1.3	Choke valve ass.	1.16	Gasket, Fuel drain plug
1.3.1	Choke valve cap	1.17	Tighten bolt , Fuel cup
1.3.2	Choke valve axis	1.18	O - ring
1.3.3	Choke valve	1.19	Handgrip, Choke valve ass.
1.4	Measure hole ass., idle speed	1.20	Sediment cup
1.4.1	Measure hole, idel speed	1.21	O-ring
1.4.2	O-ring	1.22	Fuel valve
1.5	Adjustment screw ass., mixture ratio	1.23	Handlebar
1.5.1	Adjustment screw, mixture ratio	1.24	Spring washer
1.5.2	Spring	1.25	Upper cover
1.6	Adjustment screw, idle speed	1.26	Spring washer
1.7	Fuel floater	1.27	Screw
1.8	Pin, Fuel floater	2	Steel gasket
1.9	Needle valve ass.	3	Gasket, carburetor
1.9.1	Needle valve seat	4	Block, carburetor
1.9.2	Needle valve	5	Gasket, inlet port

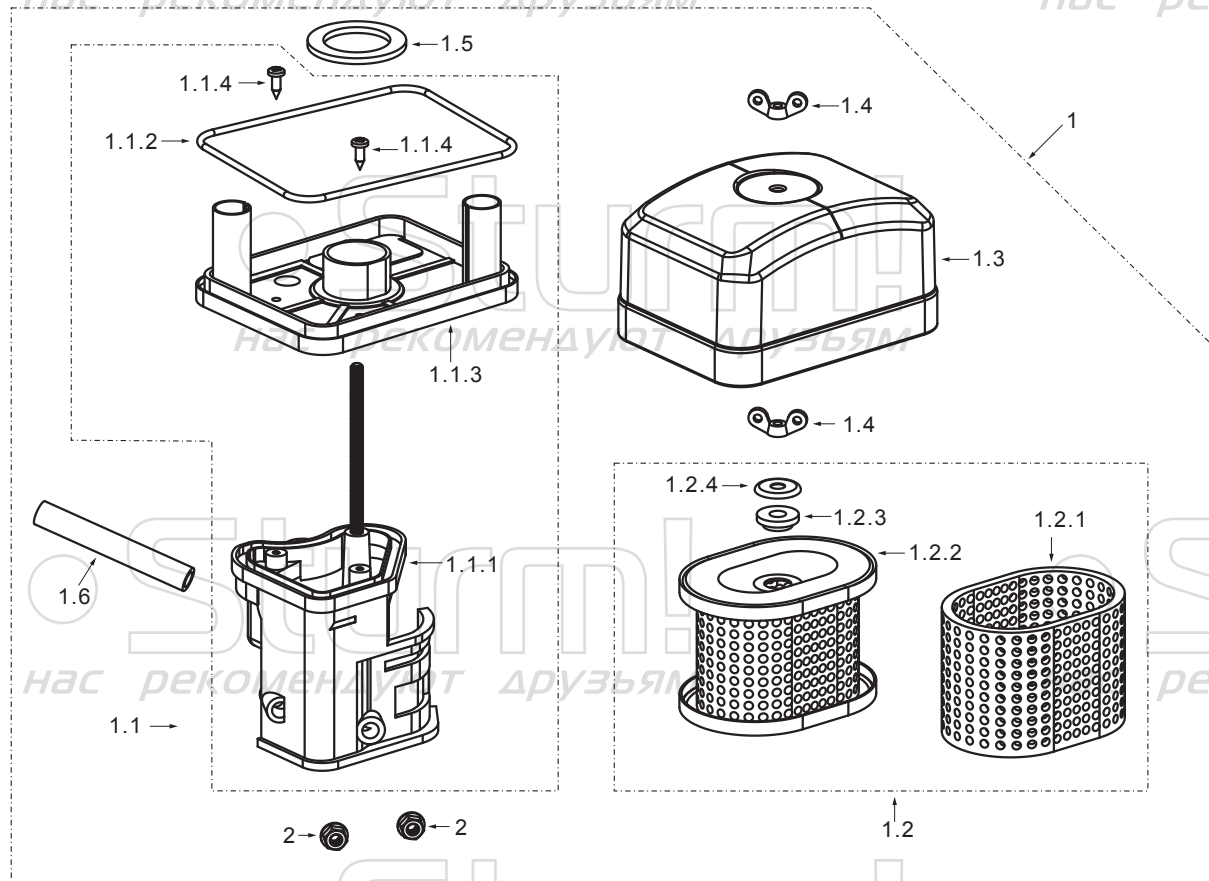
RU-ST20191009

Sturm!  
нас рекомендуют друзья

# THE ENGINE FOR PC8806DKW-10

NO.	DESCRIPTION
1	Air cleaner ass.
1.1	Air cleaner seat ass.
1.1.1	Air cleaner seat
1.1.2	Seal ring
1.1.3	Cover board
1.1.4	Screw
1.2	Filter ass.
1.2.1	Foam filter
1.2.2	Papery filter
1.2.3	Rubber fixer
1.2.4	Discal washer
1.3	Filter case
1.4	Butterfly nut
1.5	Seal ring
1.6	Air duck
2	Nut

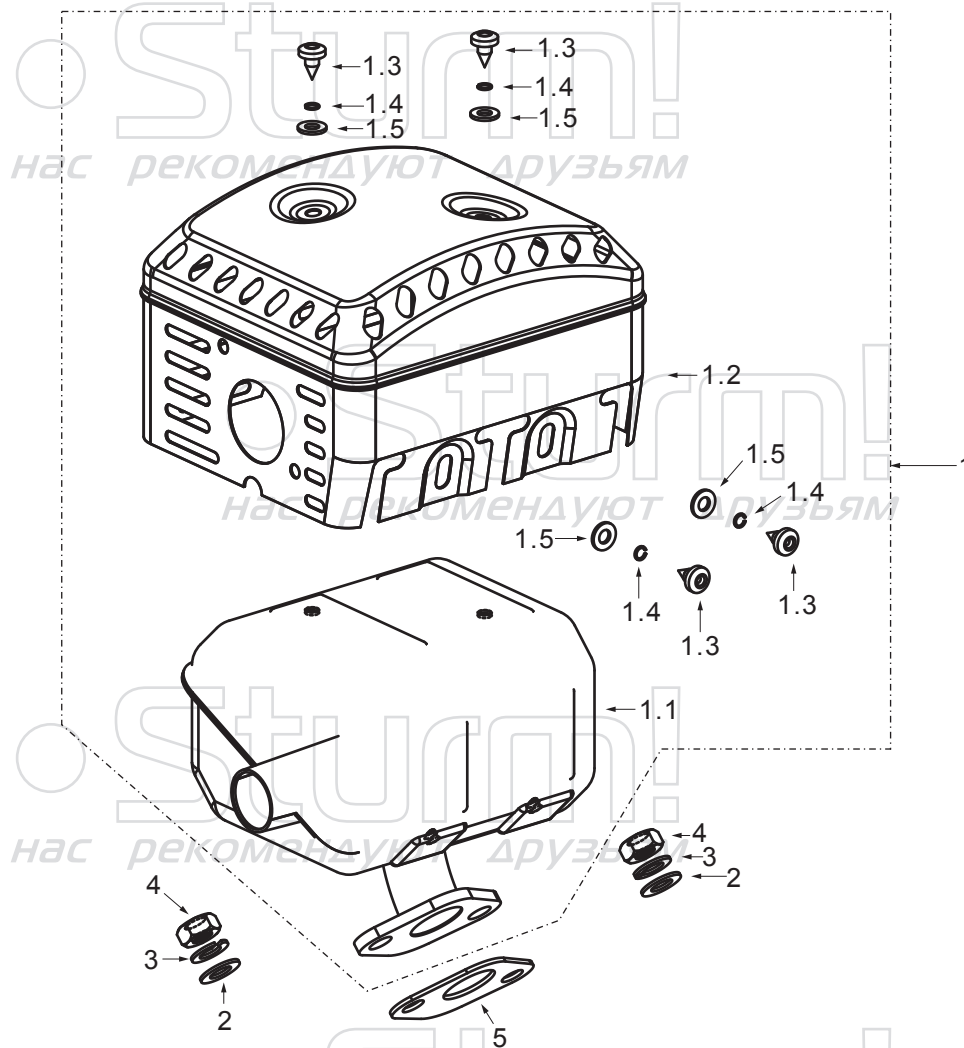
RU-ST20191009



Sturm!  
нас рекомендуют друзья

Sturm!  
нас рекомендуют друзья

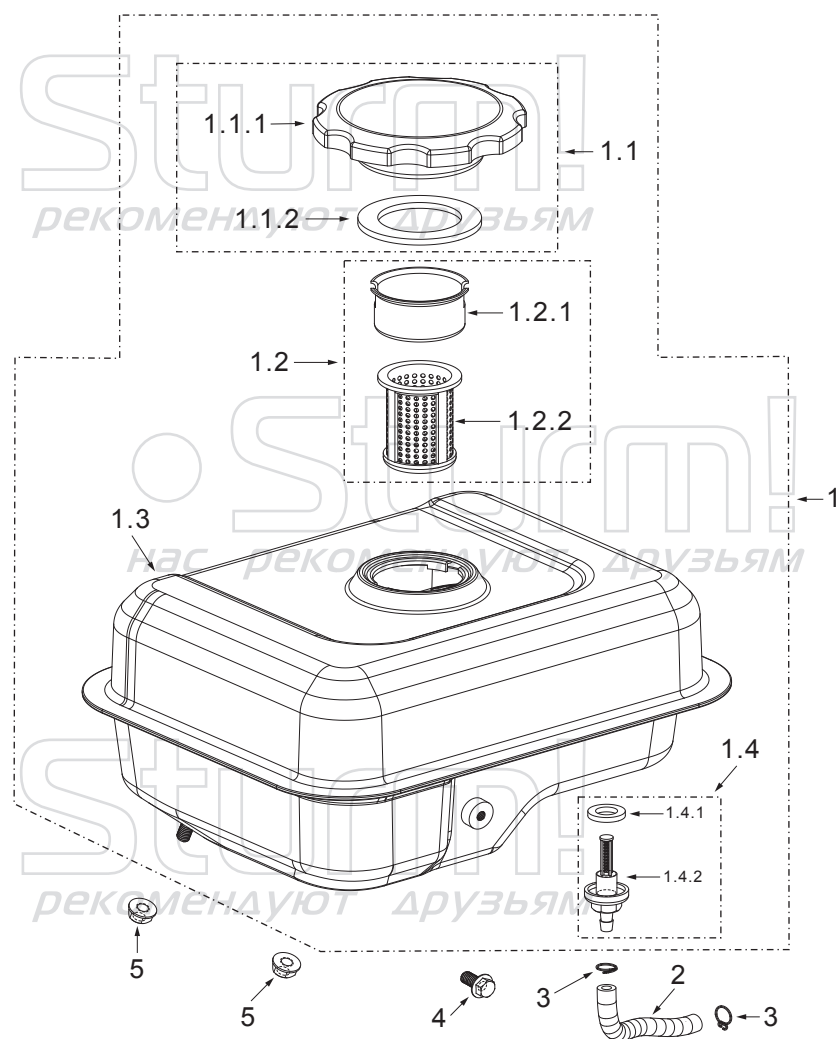
# THE ENGINE FOR PC8806DKW-11



NO.	DESCRIPTION
1	Muffler ass.
1.1	Muffler body
1.2	Protector, muffler -A
1.3	Screw
1.4	Spring washer
1.5	Washer
2	Washer
3	Spring
4	Nut
5	Gasket, exhaust port

RU-ST20191009

## THE ENGINE FOR PC8806DKW-12



NO.	DESCRIPTION
1	Fuel tank ass.
1.1	Fuel tank cover ass.
1.1.1	Fuel tank cover
1.1.2	Rubber seal, Fuel tank cover
1.2	Fuel filter ass.
1.2.1	Support, Fuel filter
1.2.2	Fuel filter
1.3	Fuel tank
1.4	Fuel joint ass.
1.4.1	Rubber seal, Fuel joint
1.4.2	Fuel joint
2	Fuel tube
3	Clip, fuel tube
4	Bolt
5	Nut

RU-ST20191009

Sturm!  
нас рекомендуют друзья

Sturm!  
нас рекомендуют друзья