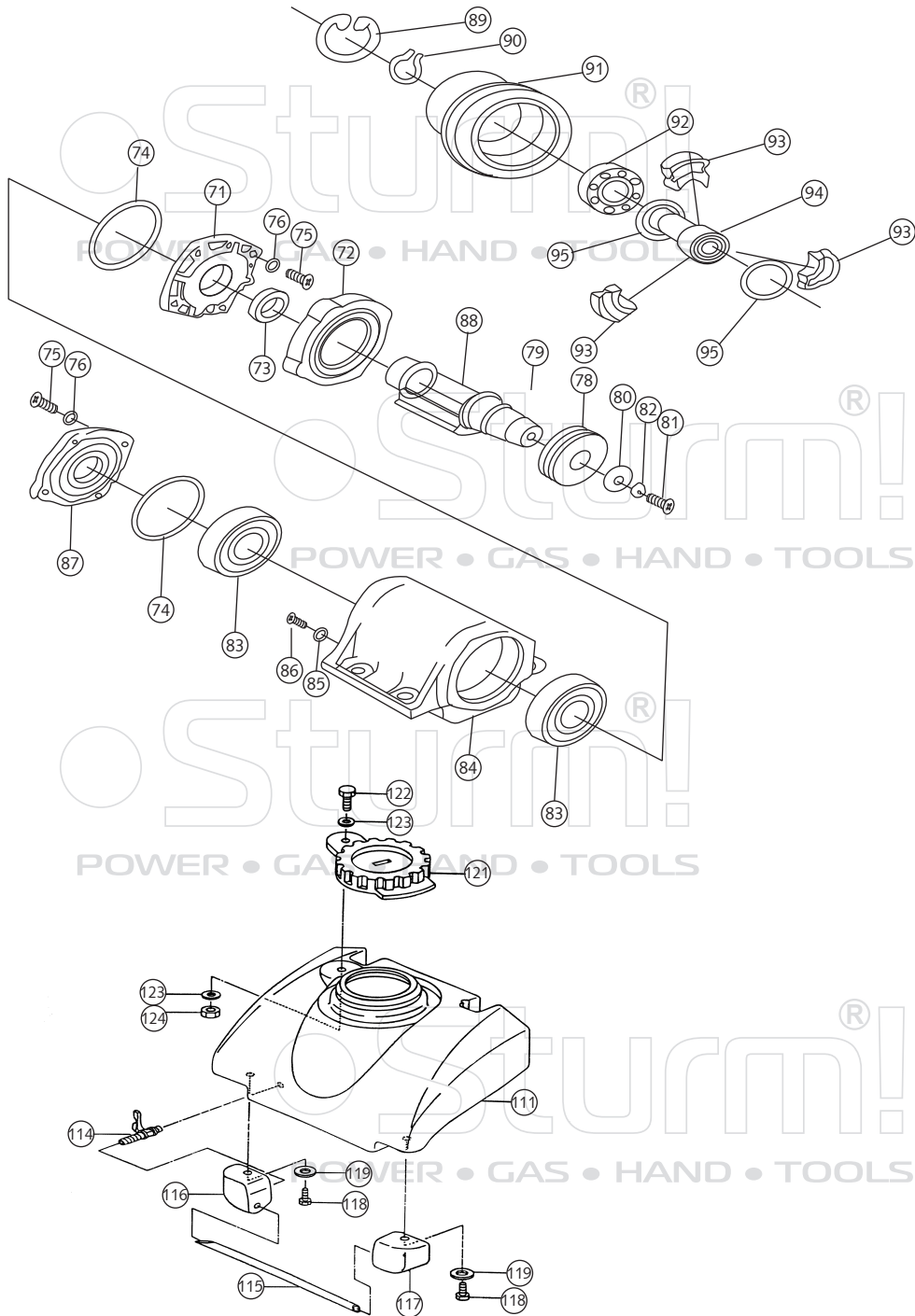


PC8808

NO.	DESCRIPTION	NO.	DESCRIPTION
1	BASE PLATE	37	BOLT M8X20
2	VIBRATOR ASSY	38	
3	VIBRATION ABSORBER	39	
4	NUT M10-GB6184	40	INSIDE BELT COVER FOR DIESEL ENGINE
5	SPRING WASHER 10-GB93		INSIDE BELT COVER FOR PETROL ENGINE
6	FLAT WASHER 10-GB95	41	V-BELT FOR DIESEL ENGINE
7	SPRING WASHER 10-GB93		V-BELT FOR PETROL ENGINE
8	BOLT M10X30-GB5781	42	CLUTCH PULLEY WASHER
9	ENGINE MOUNTING PLATE	43	CLUTCH PULLEY ASSEMBLY
10	DIESEL ENGINE NUT M8	44	FLAT WASHER
	PETROL ENGINE NUT M8	45	SPRING WASHER
11	ENGINE NUT M8	46	BOLT M8X25
12	FLAT WASHER 8-GB95	47	BELT COVER FOR DIESEL ENGINE
13	LOCK NUT M8-GB6184		BELT COVER FOR PETROL ENGINE
14	RUBBER PLATE	48	FLAT WASHER
15	FIX STRIP	49	SPRING WASHER
16	FLAT WASHER 10-GB95	50	BOLT M8X40
17	SPRING WASHER 10-GB93	51	
18	BOLT M10X45-GB5780	52	GUARD HOOK
19	FLAT WASHER 16-GB95	53	RUBBER COLLAR
20	SPRING WASHER 16-GB93	54	CIRCLIP
21	BOLT M16X40-GB5781	55	BOLT M10X30
22	ENGINE	56	SPRING WASHER
23	BOLT M8X50-GB5781	57	FLAT WASHER
24	SPRING WASHER 8-GB93	58	RUBBER CLIP
25	FLAT WASHER 8-GB95	59	BOLT M6X30
26	WHEEL STAND	60	FLAT WASHER
27	WHEEL	61	LOCK NUT M6
28	FLAT WASHER 8-GB95	62	STEEL COLLAR
29	SPRING WASHER 8-GB93	63	RUBBER COLLAR
30	BOLT M8X25-GB5781	64	FLAT WASHER
31	BOLT M8X30-GB5781	65	SPRING WASHER
32	SPRING WASHER 8-GB93	66	BOLT M12X65
33	SLEEVE	67	HANDLE
34	BOLT M8X25-GB5781	68	RUBBER MOUNT
35	SPRING WASHER 8-GB95	69	THROTTLE CONTROL LEVEL
36	FLAT WASHER	70	THROTTLE CONTROL WIRE

ST20110818



PC8808 VIBRATOR

NO.	DESCRIPTION	NO.	DESCRIPTION
71	CASE COVER (L)	85	PACKING PIECE
72	PROTECTIVE COVER	86	PLUG SCREW M14X1.5
73	OIL SEAL	87	CASE COVER (R)
74	O-RING	88	ECCENTRIC ROTATOR
75	BOLT M8X25		
76	SPRING WASHER	43	CLUTCH PULLEY ASSEMBLY
77	FLAT WASHER	89	CIRCLIP INT
78	PULLEY	90	CIRCLIP EXT
79	KEY	91	DRUM
80	PULLEY WASHER	92	BEARING
81	BOLT M10X25	93	CENTRIFUGAL LUMP
82	SPRING WASHER	94	CLUTCH CENTRE FOR DIESEL
83	BEARING		CLUTCH CENTRE FOR PETROL
84	VIBRATING CASE	95	CLUTCH SPRING

PC8808 WATER TANK

NO.	DESCRIPTION	NO.	DESCRIPTION
111	WATER TANK	119	WASHER
114	COCK	121	CAP WATER TANK
115	SPRING PIPE	122	BOLT M10X30
116	PIPE HOLDER (L)	123	WASHER
117	PIPE HOLDER (R)	124	NYLON NUT M10
118	BOLT M8X30		

ST20110818