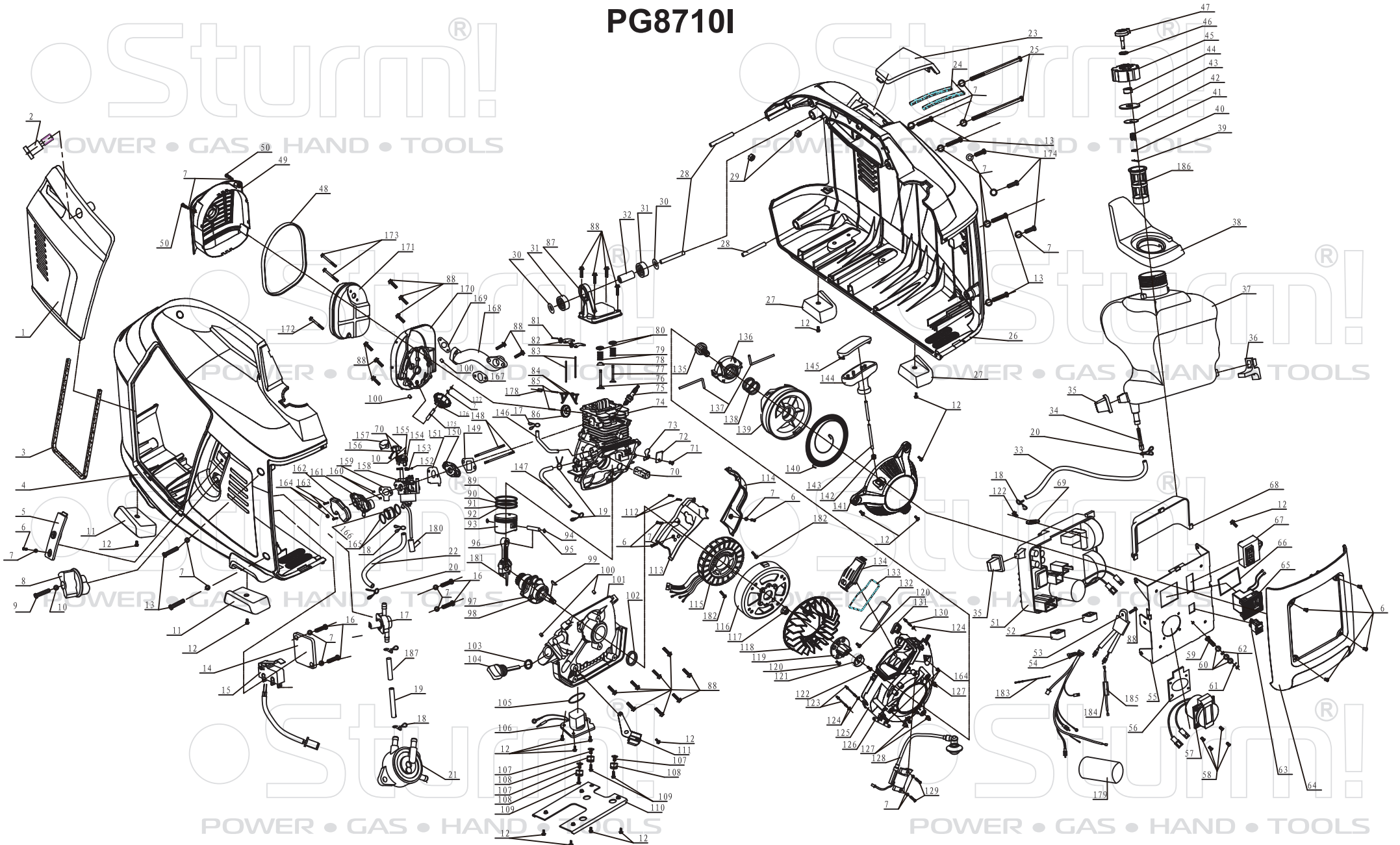


# PG8710I



# PG8710I

NO.	DESCRIPTION	NO.	DESCRIPTION	NO.	DESCRIPTION	NO.	DESCRIPTION	NO.	DESCRIPTION
1	MAINTENANCE COVER	43	FUEL CAP SEAL	85	LIFTER SHAFT	127	NESTING FIXING STARTR	170	CRANKCASE COVER
2	MAINTENANCE COVER SCREW	44	FUEL CAP FILTER	86	CAM	128	IGNITION BOOSTER	171	MUFFLER
3	MAINTENANCE COVER PACKING	45	FUEL CAP	87	CYLINDER HEAD COVER	129	TAPPING SCREWST4.8×19	172	BOLT M6×40
4	LEFT ENCLOSER SUBASSEMBLY	46	O-RING	88	BOLT M5×20	130	BOLT M5×53	173	BOLT M6×55
5	HANDLE SUPPORT	47	FUEL CAP LEVER	89	PISTON RING I	131	AIR CLEANER BAFFLE	174	TAPPING SCREWST4.8×16
6	SCREW M5×8	48	MUFFLER COVER PACKING	90	PISTON RING II	132	AIR CLEANER FILTER	175	GEAR SHAFT
7	WASHER Φ5	49	MUFFLER COVER	91	FLAT TYPE OIL RING	133	AIR CLEANER PACKING	176	WHISK OIL GEAR
8	SWITCH HANDLE	50	SCREW M5×16	92	SPRING EXPANDER	134	AIR CLEANER COVER	177	GEAR SHAFT CLIP
9	SCREW M4×16	51	INVERTER	93	PISTON	135	REEL SCREW	178	LIFTER SHAFT PIPE
10	WASHER Φ4	52	INVERTER BOTTOM SUPPORT	94	PISTON PIN CLIP	136	PAWL SEAT	179	HEAT SHRINKABLE TUBE
11	LEFT ABSORBER	53	BRIDGE RECTIFIER	95	PISTON PIN	137	PAWL	180	THREE WAG JOINT
12	BOLT M5×12	54	INTERNAL WIRE	96	CONNECTION ROD	138	STARTER SPRING	181	OIL POLE
13	SCREW M5×20	55	PANEL	97	CRANKSHAFT SUBASSEMBLY	139	REEL	182	BOLT M5×25
14	ENGINE SWITCH COVER	56	AC SOCKET WASHER	98	BEARING 6203D	140	COIL SPRING	183	ENLACE STRIP
15	ENGINE SWITCH	57	AC SOCKET	99	SEMICIRCULAR KEY 3×5×13	141	STARTER SHELL	184	FUSE BOX
16	TAPPING SCREWST4.2×12	58	SCREW M4×8	100	LOCATING PIN Φ6×12	142	ROPE NESTING	185	FUSE
17	FUEL SWITCH	59	SCREW M5×16	101	CRANKCASE	143	ROPE	186	FILTER CUP
18	CLIP Φ7×0.8	60	WASHER Φ5	102	OIL SEAL Φ17×27×5	144	HANDLE	187	CANNULA
19	FUEL TUBE Φ4×Φ8×140	61	SPRING LOCK WASHER Φ5	103	OIL DIPSTICK SEAL	145	HANDLE COVER		
20	CLIP Φ9×1.2	62	NUT M5	104	OIL DIPSTICK	146	VENTILAING PIPEΦ7×Φ11×140		
21	FUEL PUMP	63	SMART THROTTLE SWITCH	105	OIL ALERT SEAL	147	PUMPING FUEL PIPEΦ6×Φ10×330		
22	FUEL TUBE Φ4×Φ8×200	64	PANEL ENCLOSURE	106	OIL ALERT	148	BOLT M5×96		
23	SPARK PLUG MAINTENANCE COVER	65	DC SOCKET	107	BOTTOM ABSORBER BUSH	149	INSULATING BOARD GASKET		
24	SPARK PLUG MAINTENANCE COVER PACKING	66	DC SOCKET WASHER	108	BOTTOM ABSORBER	150	INSULATING BOARD		
25	SCREW M5×100	67	IGNITION	109	BOLT M6×25	151	CARBURETOR GASKET		
26	RIGHT ENCLOSER SUBASSEMBLY	68	PANEL COVER	110	ENGINE BOTTOM SUPPORT	152	GOVERNOR DAMPING SPRING		
27	RIGHT ABSORBER	69	WASHER	111	IGNITON TRIGGER	153	GOVERNOR JOINT		
28	ENGINE SUPPORT	70	OIL FILTER	112	TAPPING SCREWST4.2×10	154	GOVERNOR MOTOR BOTTOM HOOD		
29	NUT M5	71	SCREW M3×5	113	LEFT REFLECTING BOARD	155	SCREW M4×10		
30	BOTTOM ABSORBER WASHER	72	BOARD LIMITING THE REED VALVE	114	RIGHT REFLECTING BOARD	156	GOVERNOR MOTOR		
31	TOP ABSORBER	73	REED VALVE	115	STATOR SUBASSEMBLY	157	GOVERNOR MOTOR TOP HOOD		
32	ENGINE TOP SUPPORT	74	CYLINDER SUBASSEMBLY	116	ROTOR SUBASSEMBLY	158	CARBURETOR		
33	FUEL TUBE Φ4×Φ8×260	75	SPARK PLUG	117	NUT M10×1.25	160	INTAKE PIPE NESTING		
34	FUEL OUTPUT FILTER	76	INTAKE VALVE	118	COOLING FAN	161	INTAKE PIPE RIGHT BODY		
35	INVERTER TOP SUPPORT	77	EXAUST VALVE	119	RATCH SEAT	162	INTAKE PIPE LEFT BODY		
36	FUEL TANK SUPPORT	78	VALVE SEAL	120	BOLT M6×16	163	TAPPING SCREWST4.8×8		
37	FUEL TANK	79	VALVE SPRING	121	RATCH	164	NUT M5		
38	FUEL TANK ABSORBER	80	VALVE RETAINER	122	BOLT M6×12	165	INTAKE PIPE CLIP		
39	SPLIT PIN	81	ROCKER SHAFT	123	BOLT M5×86	166	INTAKE PIPE JOINT		
40	WASHER Φ5	82	ROCKER SUBASSEMBLY	124	COOLING HOOD NESTING	167	EXAUST PIPE GASKET		
41	FUEL CAP SPRING	83	PUSH ROD	125	COOLING HOOD	168	EXAUST PIPE		
42	WASHER Φ6×Φ25×1	84	LIFTER	126	GROUND PLATE	169	MUFFLER GASKET		

ST20110214