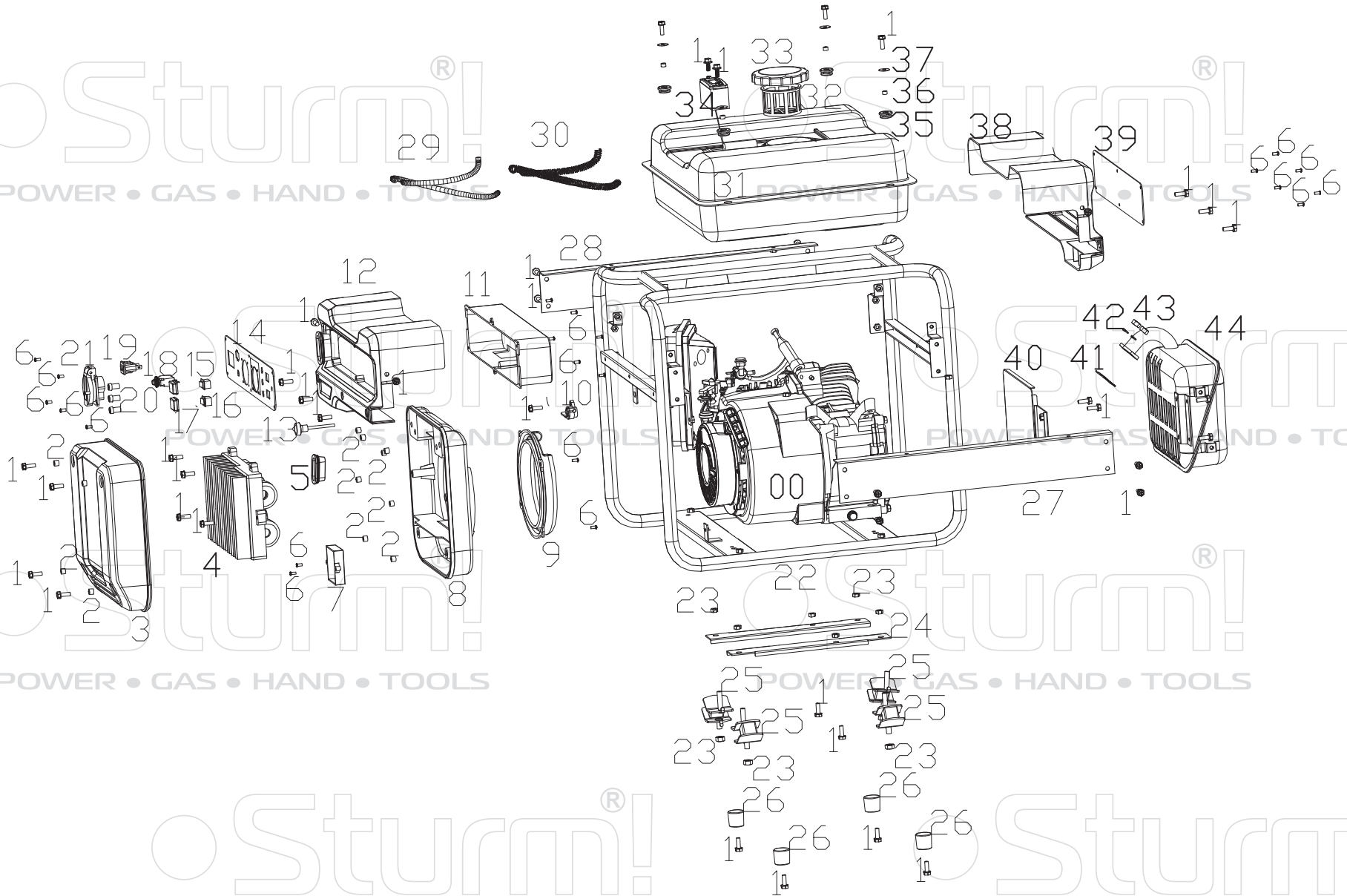


Sturm!

POWER • GAS • HAND • TOOLS



POWER • GAS • HAND • TOOLS

Sturm!

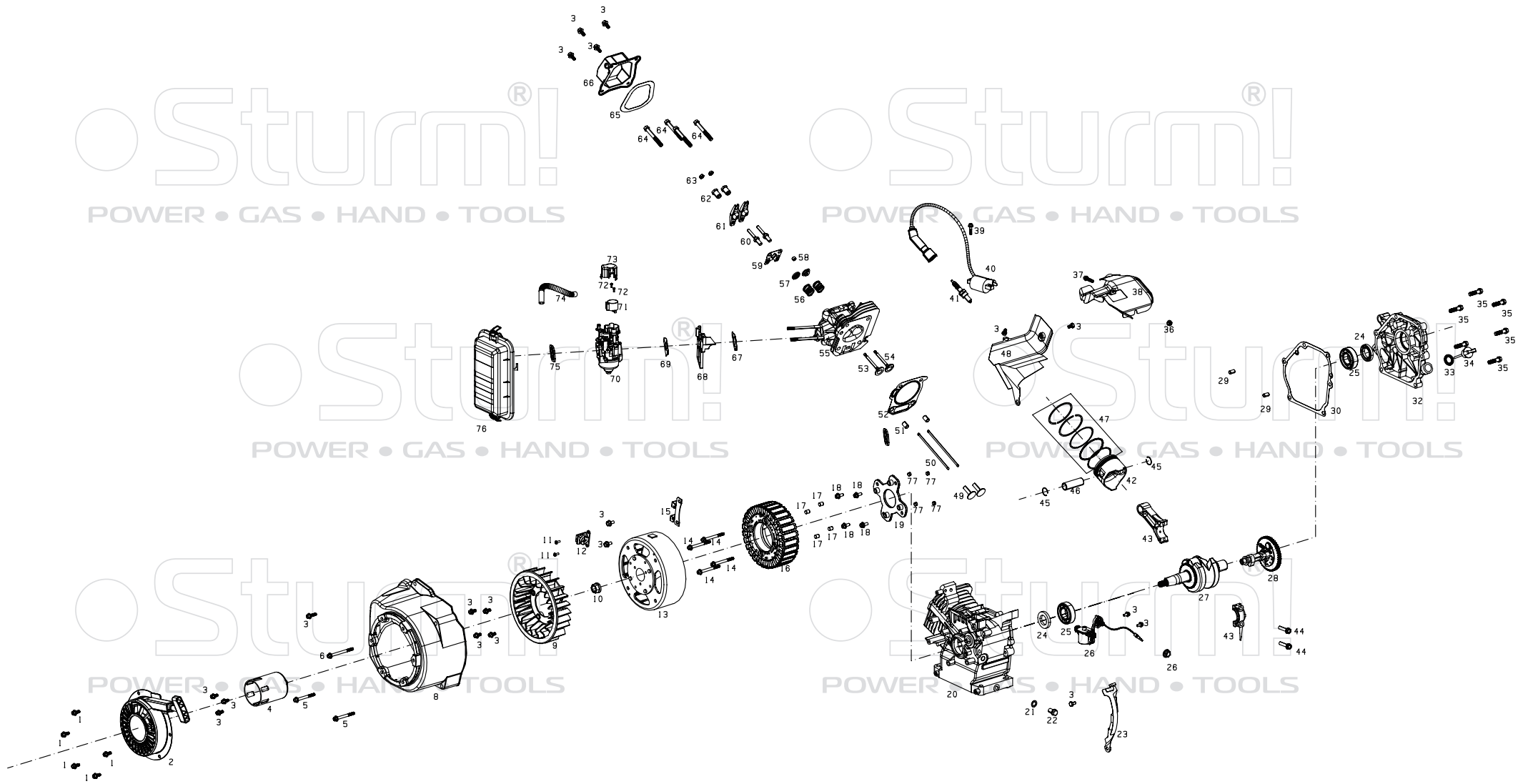
POWER • GAS • HAND • TOOLS

Sturm!

POWER • GAS • HAND • TOOLS

# PG8745I

NO.	DESCRIPTION	NO.	DESCRIPTION
00	engine	26	Rubber Foot
1	Hex Flange Bolt M6	27	Iron Side Board Right
2	Bushing	28	Iron Side Board Left
3	Inverter Unit Front Cover	29	Tube Spring
4	Inverter Unit (4500ig)	30	Fuel Tube
5	Water Proof Rubber	31	Fuel Tank
6	Self-Tapping Screw	32	Filter Screen
7	Ignition Control Module	33	Tank Cap
8	Inverter Unit Rear Cover	34	Fuel Level Gauge
9	Inverter Unit Rubber Cover	35	Rubber Part 11#
10	Fuel Switch	36	Bushing
11	Panel Inner Housing	37	Washer
12	Panel Housing	38	Blank Panel Housing
13	Choke Line	39	Blank Panel
14	Control Panel	40	Heat Baffle
15	Eco Mode Switch	41	Muffler Shim
16	Engine Switch	42	Spring Washer M8
17	Switch Cover	43	Hex Nut M8
18	Dc Protector	44	Muffler
19	Dc Socket		
20	LED Light		
21	Ac Socket		
22	Generator Frame		
23	Hex Flange Nut M8		
24	Engine Base Board		
25	Shock Absorbing Foot		



Sturm!<sup>®</sup>  
POWER • GAS • HAND • TOOLS

Sturm!<sup>®</sup>  
POWER • GAS • HAND • TOOLS

Sturm!<sup>®</sup>  
POWER • GAS • HAND • TOOLS

Sturm!<sup>®</sup>  
POWER • GAS • HAND • TOOLS

Sturm!<sup>®</sup>  
POWER • GAS • HAND • TOOLS

Sturm!<sup>®</sup>  
POWER • GAS • HAND • TOOLS

Sturm!<sup>®</sup>  
POWER • GAS • HAND • TOOLS

Sturm!<sup>®</sup>  
POWER • GAS • HAND • TOOLS

# ENGINE FORPG8745I

NO.	DESCRIPTION	NO.	DESCRIPTION
1	Flange Bolt M6	41	Spark Plug
2	Recoil Srarter Ass'Y	42	Piston
3	Flange Bolt M6	43	Connecting Rod
4	Starting Pulley	44	Connecting Rod Nut
5	Flange Bolt M6	45	Piston Circlip
6	Flange Bolt M6	46	Pinston Pin
8	Engine Air Scooper	47	Piston Ring Set
9	Engine Impeller	48	Engine Windshield Bottom
10	Flange Nut M14	49	Tappet
11	Cr Bolt M4	50	Push-Rod
12	Ignition Trigger	51	Pin 10X114
13	Rotor Ass'Y (4500ig)	52	Cylinder Head Gasket
14	Flange Bolt M6	53	Intake Valve
15	Ignition Trigger Bracket	54	Exhaust Valve
16	Stator Ass'Y (4500ig)	55	Cylinder Head
17	Pin	56	Valve Spring
18	Bolt 8*32	57	Valve Spring Retainer
19	Stator Placing Board	58	Valve Cover
20	Crankcase	59	Push-Rod Mounting Plate
21	Aluminum Washer	60	Rocker Combination 2
22	Oil Draining Bolt M10	61	Rocker Combination 3
23	Engine Windshield Side	62	Rocker Combination 1
24	Oil Seal 25X41.5X6	63	Rocker Combination 4
25	Bearing Ball Radial 6205	64	Flange Bolt M8
26	Oil Level Sensor	65	Cylinder Head Cover Gasket
26-1	Nut M10	66	Cylinder Head Cover
27	Crankshaft	67	Carburetor Gasket 1
28	Camshaft	68	Carburetor Insulation Pad
29	Pin 9X14	69	Carburetor Gasket 2
30	Crank Case Gasket	70	Carburetor
32	Crank Case Cover	71	Stepper Motor
33	Dipstick Seal Rubber	72	Cr Bolt Set M4
34	Oil Dipstick	73	Stepper Motor Rubber Cover
35	Flange Bolt M8	74	Air Tube
36	Flange Nut M6	75	Air Filter Gasket
37	Flange Bolt M6	76	Air Filter Ass'Y
38	Engine Windshield Top	77	Pin
39	Flange Bolt M6		
40	Ignition Coil		